



MCVST42

ZERO CLEARANCE **DIRECT VENT** SEE-THROUGH GAS FIREPLACE



THE ULTIMATE IN DESIGN, ENGINEERING & QUALITY

The unit illustrated is the MCVST42NH See-Through Fireplace - Natural Gas, M42LG Log Grate, M42LOG4 Oak Log Set, MST42RLT Traditional Brick Liner.



MCVST42

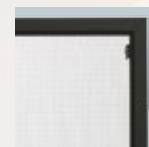
ZERO CLEARANCE **DIRECT VENT** SEE-THROUGH GAS FIREPLACE

Model	MCVST42N/NE	MCVST42LP/LPE	MCVST42NH/NHE	MCVST42LPH/LPHE
Fuel	Natural	Propane	Natural	Propane
Gas Control	Millivolt / IPI	Millivolt / IPI	Millivolt / IPI	Millivolt / IPI
Input Max.	30,250 BTU	29,000 BTU	31,000 BTU	29,250 BTU
Input Min.	20,750 BTU	23,000 BTU	21,000 BTU	23,000 BTU
FE (P.4.1-02)	54.6% / 55.9%	55.8% / 57.3%	67.1% / 69.3%	68.4% / 71%
Glass Type	Tempered	Tempered	Ceramic	Ceramic



STANDARD FEATURES

- Dedicated Clean View appliance
- Millivolt or IPI valve system allows operation during a power failure with Hi/Low heat and flame adjustment
- Safety Screen Barrier*



Safety Screen Barrier

OPTIONAL FEATURES

Fan Kit

Heat activated with variable speed control

Surrounds

- Hearth Mount 4" Wide (Covers 44 5/8" W x 38 1/8" H)
- Picture Frame 4" Wide (Covers 44 5/8" W x 40 1/8" H)
- Picture Frame 1 5/8" Wide (Covers 40 1/8" W x 35 5/8" H)

Porcelain Reflective Liner

Glass Tray

For use with Bronze Glass Media, Cannonballs, and Driftwood Log Set

Accent Lighting

For use with the Glass Tray

Log Set

Oak (8 piece) Set, and Driftwood (6 Piece) Set.

Brick Refractory Liner

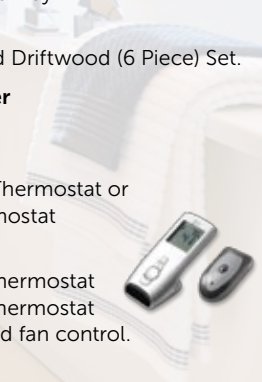
Traditional

Thermostat

Wall Mount Millivolt Thermostat or Programmable Thermostat

Remote Control

Thermostat on/off, Thermostat on/off modulating, Thermostat on/off modulating and fan control.



The unit illustrated is a MCVST42NH See-Through Fireplace - Natural Gas, ZCV42S1PFBL Surround Picture Frame 4" Wide, MST42GT Glass Tray, ZG5C Glass Media - Bronze x (5), MST42PL Porcelain Liner.



THE ULTIMATE IN DESIGN, ENGINEERING & QUALITY

DESIGNER CLEAN VIEW™ FIREPLACES

Make the most of the best view in the house with our line of Zero Clearance Direct Vent See-Through Gas Fireplaces. Ideally suited for new construction or renovations anywhere in your home.

OPTIONS



The unit illustrated is a MCVST42NH See-Through Fireplace - Natural Gas, ZCV42S2PFBL Surround Picture Frame 1 5/8" Wide, MST42GT Glass Tray, ZG5C Glass Media - Bronze x (5), RBCB1 Cannonballs, MST42PL Porcelain Liner.

STYLING



M42LOG4
Oak Log Set



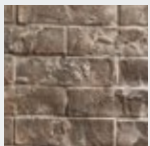
M42LOG3
Driftwood Log Set



Multi-coloured
Cannonballs

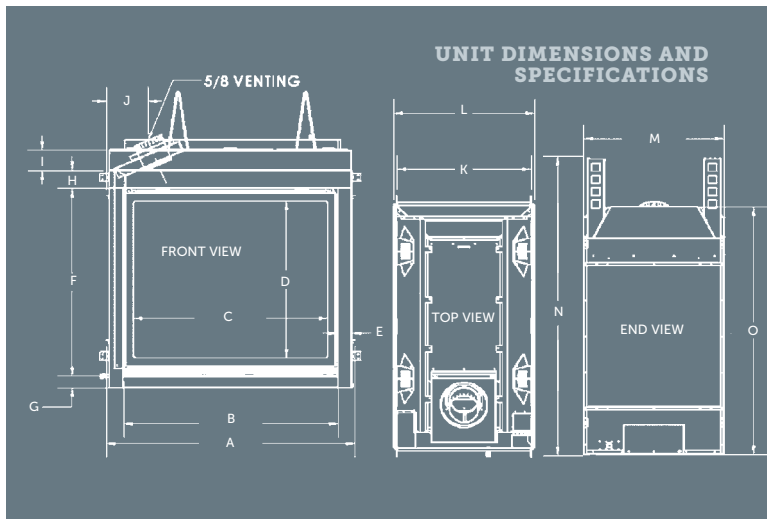


Decorative
Ember Glass



Traditional
Brick Liner RLT

	FRONT VIEW	TOP VIEW	END VIEW
A	43 ¹ / ₁₆ "	-	-
B	37 ¹ / ₁₆ "	-	-
C	33 ¹¹ / ₁₆ "	-	-
D	27 ³ / ₁₆ "	-	-
E	2 ¹ / ₂ "	-	-
F	32 ¹ / ₂ "	-	-
G	2"	-	-
H	3 ¹ / ₈ "	-	-
I	3 ¹ / ₂ "	-	-
J	7 ¹ / ₄ "	-	-
K	-	23 ¹ / ₈ "	-
L	-	24 ¹ / ₄ "	-
M	-	-	24 ¹ / ₄ "
N	-	-	51 ¹ / ₄ "
O	-	-	42 ⁷ / ₈ "



UNIT AND FRAMING SPECIFICATIONS (IN.)

Top Flue Models	Height Actual	Height Framing	Width Actual	Width Framing	Depth Actual	Depth Framing
MCVST42	51 ¹ / ₄ "	51 ³ / ₈ "	43 ¹ / ₁₆ "	43 ³ / ₈ "	24 ¹ / ₄ "	23 ³ / ₁₆ "



2340 Logan Avenue
Winnipeg, Manitoba, Canada R2R 2V3
Phone: (204) 632-1962 Fax: (204) 632-1960
www.kingsmanfireplaces.com

MCVST42

ZERO CLEARANCE DIRECT VENT SEE-THROUGH GAS FIREPLACE



*Components may have to be ordered separately to create a complete unit. Discuss with your local Kingsman dealer for clarification.

Kingsman Fireplaces maintains a program of continuous testing, refinement and improvements of all its products. Some aspect of units shown here may be changed at any time without notice or obligation. Certification: MCVST42N, MCVST42NH, MCVST42LP and MCVST42LPH are Certified to: ANSI Z21.50-2014, CSA 2.22-2014, CGA 2.17-M91 (R2009) Vented Gas Fireplace. MCVST42NH, MCVST42NHE, MCVST42LPH and MCVST42LPH are Certified to: ANSI Z21.88-2014, CSA 2.35-2014, CGA 2.17-M91 (R2009) Vented Gas Fireplace Heater.