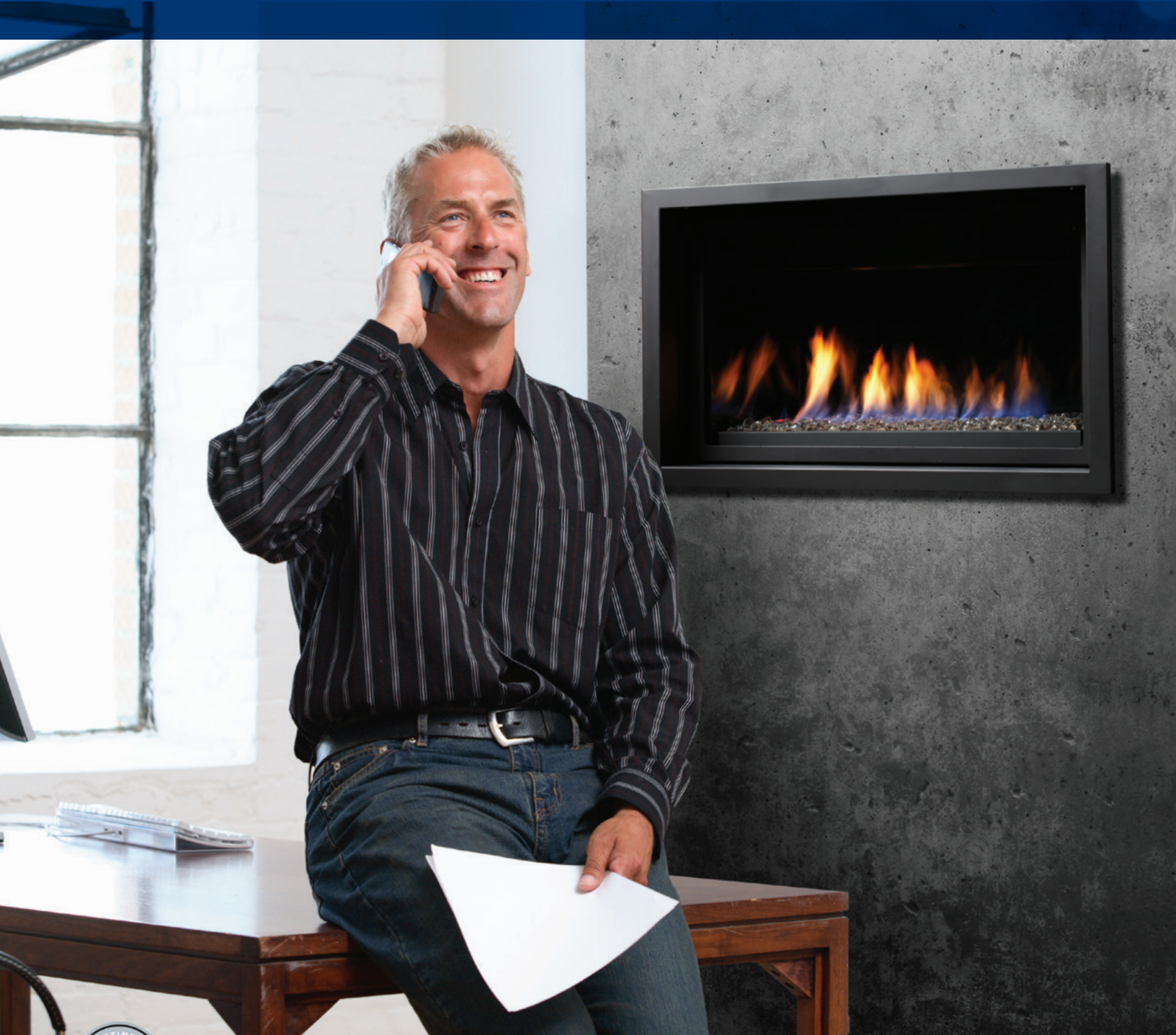




## ZCVRB3622

ZERO CLEARANCE DIRECT VENT LINEAR GAS FIREPLACE



THE ULTIMATE IN DESIGN, ENGINEERING & QUALITY

ZCVRB3622N Zero Clearance Direct Vent Natural Gas Linear Fireplace, Decorative Bronze Glass, ZCVRB36SBL Surround Trim Kit – Black, Z3622PRL Porcelain Reflective Liner, optional ULK2 Universal Light Kit.



## ZCVRB3622

ZERO CLEARANCE DIRECT VENT LINEAR GAS FIREPLACE



THE ULTIMATE IN DESIGN, ENGINEERING & QUALITY

ZCVRB3622N Zero Clearance Direct Vent Natural Gas Linear Fireplace, Decorative Bronze Glass, ZCVRB36SSS Surround Trim Kit – Stainless Steel, Z3622PRL Porcelain Reflective Liner, optional ULK2 Universal Light Kit.

# Warm up your favourite room with the beauty of a Linear Fireplace.

<b>Model</b>	ZCVRB3622N ZCVRB3622NE	ZCVRB3622LP ZCVRB3622LPE
<b>Fuel</b>	Natural	Propane
<b>Input Max.</b>	17,500	17,500
<b>Input Min.</b>	12,000	14,000
<b>FE (P.4.1-15)</b>	61.36% / 65.82%	62.72% / 64.55%

The ultimate in Zero Clearance Direct Vent Fireplaces for new home construction or renovation, and your best choice for installation anywhere throughout your home.

## STANDARD FEATURES

- Hi/Low Millivolt or IPI valve system will operate during power failures
- Decorative Bronze Glass
- Mobile Home, Bedroom and Bed Sitting Room approved
- Safety Screen Barrier



Safety Screen Barrier

## OPTIONAL FEATURES

### Surround Trim Kit

Black and Stainless Steel (36" w x 22 1/2" h)

### Fan Kit

Heat activated with variable speed control

### Wall Mount Thermostat

Standard On/Off or Programmable  
5 day (weekday) and 2 day (weekend)

### Remote Control

On/Off, Thermostat On/Off,  
Thermostat On/Off modulating

### Porcelain Reflective Liner

### Universal Light Kit

Two Lamps

### Glass Tray

Ember Glass (Bronze)

### Multi-colored Cannonballs



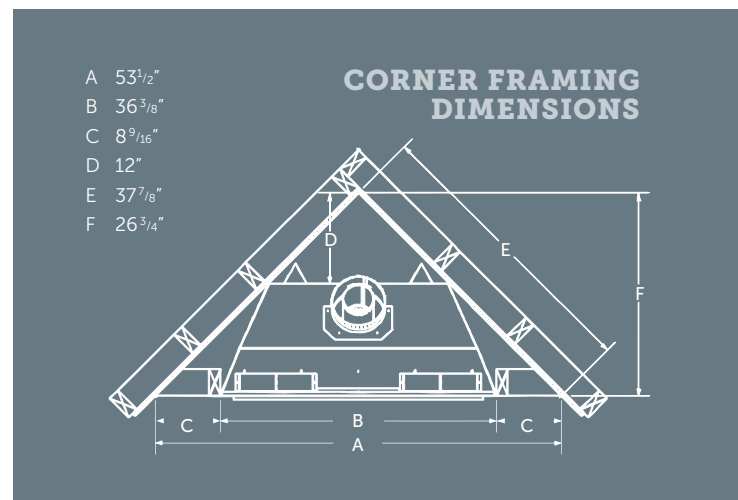
Multi-coloured Cannonballs



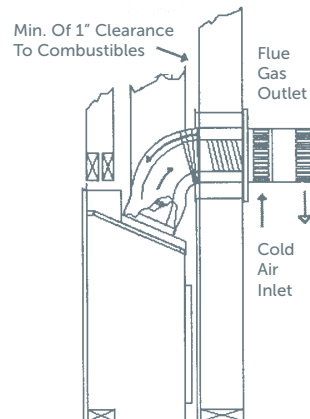
Decorative Ember Glass - Bronze

## UNIT AND FRAMING SPECIFICATIONS (IN.)

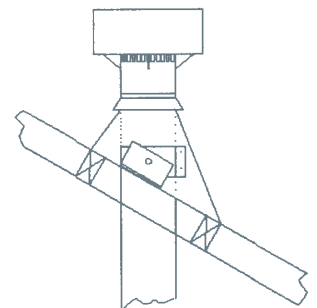
Height Actual	Height Framing	Width Actual	Width Framing	Depth Actual	Depth Framing
37 <sup>1</sup> / <sub>8</sub> "	37 <sup>1</sup> / <sub>4</sub> "	36"	36 <sup>3</sup> / <sub>8</sub> "	17 <sup>7</sup> / <sub>16</sub> "	17 <sup>1</sup> / <sub>2</sub> "



Horizontal Flue Option #2



Vertical Flue Option #1



Top Flue Models	Width	Height
VIEWING AREA	29 <sup>3</sup> / <sub>4</sub> "	16 <sup>1</sup> / <sub>8</sub> "



2340 Logan Avenue  
Winnipeg, Manitoba, Canada R2R 2V3  
Phone: (204) 632-1962 Fax: (204) 632-1960  
[www.kingsmanfireplaces.com](http://www.kingsmanfireplaces.com)

## ZCVRB3622

ZERO CLEARANCE DIRECT VENT LINEAR GAS FIREPLACE



ZCVRB3622N Zero Clearance Direct Vent Natural Gas Linear Fireplace,  
Decorative Bronze Glass, Z3622PRL Porcelain Reflective Liner,  
optional ULK2 Universal Light Kit.

Canada  
**ENERGUIDE**  
Look for the **EnerGuide**  
Gas Fireplace Energy  
Efficiency Rating in this brochure  
*Based on CSA P.4.1-15*



\*Components may have to be ordered separately to create a complete unit. Discuss with your local Kingsman dealer for clarification.  
Kingsman Fireplaces maintains a program of continuous testing, refinement and improvements of all its products. Some aspect of units shown here may be changed at any time without notice or obligation.  
Certified to: ANSI Z21.88-2014, CSA 2.33-2014, CGA 2.17-M91 (R2009) Vented Gas Fireplace Heater.



CRAFTED ENTIRELY IN CANADA, EACH KINGSMAN FIREPLACE  
IS BUILT TO THE HIGHEST STANDARDS AND MADE TO LAST.

Printed in Canada  
01/18 - B091