



# HBZDV3624/28, HBZDV4224/28

ZERO CLEARANCE DIRECT VENT GAS FIREPLACE



THE ULTIMATE IN DESIGN, ENGINEERING & QUALITY

Model HBZDV3628N Zero Clearance Direct Vent Natural Gas Fireplace, with LOGC44 Log Set, HB36CVCK Designer Clean View Circulating Kit, and HB36RRH Red Herringbone Refractory Liner.



# HBZDV3624/28, HBZDV4224/28

ZERO CLEARANCE DIRECT VENT GAS FIREPLACE



## OPTIONS



LOGC42

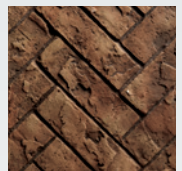


LOGC43

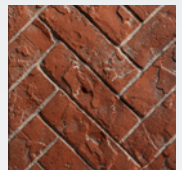
## STYLING



Traditional  
Brick Liner RLH



Herringbone  
Brick Liner RLH



Red Herringbone  
Brick Liner RRH



THE ULTIMATE IN DESIGN, ENGINEERING & QUALITY

Model HBZDV4228N, HB42CVCK Designer Clean View Kit, LOGC43 Log Set, with optional HB42RLT Traditional Refractory Liner.

# DESIGNER CLEAN VIEW™ OR LOUVERED FIREPLACES

Model	HBZDV3624N HBZDV3624NE	HBZDV3624LP HBZDV3624LPE	HBZDV3628N HBZDV3628NE	HBZDV3628LP HBZDV3628LPE	HBZDV4224N HBZDV4224NE	HBZDV4224LP HBZDV4224LPE	HBZDV4228N HBZDV4228NE	HBZDV4228LP HBZDV4228LPE
Flue	Top	Top	Top	Top	Top	Top	Top	Top
Fuel	Natural	Propane	Natural	Propane	Natural	Propane	Natural	Propane
Input Max.	24,000 BTU	22,000 BTU	28,000 BTU	26,000 BTU	24,000 BTU	22,000 BTU	28,000 BTU	26,000 BTU
Input Min.	14,000 BTU	15,000 BTU	20,000 BTU	19,000 BTU	14,000 BTU	15,000 BTU	20,000 BTU	19,000 BTU
FE (P.4.1-15)	50.48%/52.3%	52.59%/54.24%	60.61%/62.69%	62.48%/64.16%	55.69%/57.81%	57.03%/59.09%	68.04%/70.16%	65.29%/67.66%

Kingsman's Direct Vent models are easily adaptable to our patented Designer Clean View technology or standard louvers. Enjoy an incredible line of options and styles— from contemporary to classic – plus the beauty and pleasure of a cozy fire.

## STANDARD FEATURES

- Millivolt or IPI valve system allows operation during a power failure with Hi/low heat and flame adjustment
- Dual burner with Realistic Flame Pattern
- A flame sensor that constantly monitors the pilot flame and provides 100% gas shut off if pilot is not sensed
- Safety Screen Barrier



Safety Screen Barrier

## OPTIONAL FEATURES

**Designer Clean View Circulating Kit**  
(No Louvers Required)

### Grills

Available in Black

### Surrounds Wide (Louvered Units)

Available in Black

Coverage • HBZDV3624/28 – 35 1/2" h x 41 1/8" w

Coverage • HBZDV4224/28 – 37 5/8" h x 45 1/8" w

### Fan Kit

Heat activated with variable speed control

### Brick Refractory Liner

Traditional, Herringbone, and Red Herringbone

### Thermostat

Wall Mount Millivolt Thermostat or Programmable Thermostat

### Remote Control

On/Off, Thermostat On/Off, Thermostat On/Off modulating, Thermostat On/Off modulating and fan control



### Log Sets

Choose from the three available log sets, LOGC42 Classic Oak Four Piece, LOGC43 Traditional Oak Four Piece or LOGC44 Burnt Oak Eight Piece Log Set

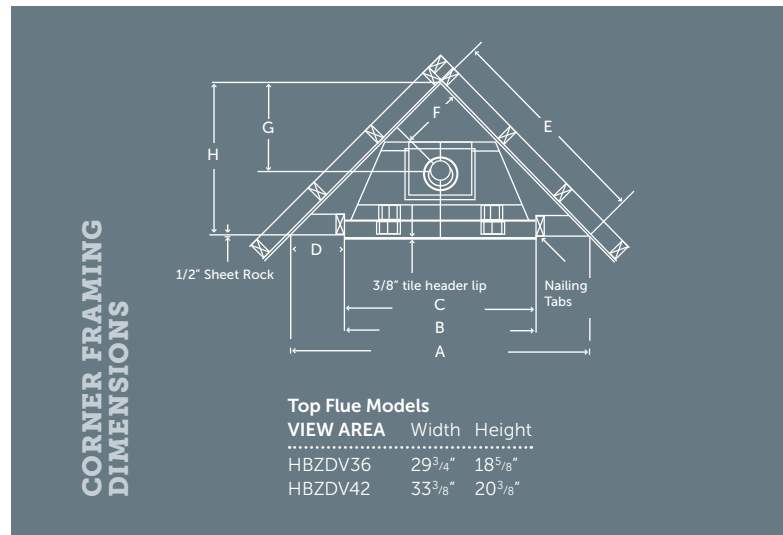
## CORNER FRAMING DIMENSIONS

### LOUVERED

	HBZDV36	HBZDV42
A	54 <sup>13</sup> / <sub>16</sub> "	58 <sup>13</sup> / <sub>16</sub> "
B	36 <sup>3</sup> / <sub>8</sub> "	42 <sup>3</sup> / <sub>8</sub> "
C	36"	42"
D	9 <sup>3</sup> / <sub>16</sub> "	8 <sup>3</sup> / <sub>4</sub> "
E	38 <sup>3</sup> / <sub>4</sub> "	41 <sup>5</sup> / <sub>16</sub> "
F	12 <sup>5</sup> / <sub>8</sub> "	13 <sup>3</sup> / <sub>4</sub> "
G	17 <sup>9</sup> / <sub>16</sub> "	19 <sup>1</sup> / <sub>2</sub> "
H	27 <sup>7</sup> / <sub>8</sub> "	29 <sup>15</sup> / <sub>16</sub> "

### CLEAN VIEW CIRCULATING KIT (CVCK)

	HBZDV36	HBZDV42
A	59 <sup>7</sup> / <sub>8</sub> "	63 <sup>13</sup> / <sub>16</sub> "
B	38 <sup>7</sup> / <sub>16</sub> "	42 <sup>7</sup> / <sub>16</sub> "
C	38 <sup>1</sup> / <sub>16</sub> "	42 <sup>1</sup> / <sub>16</sub> "
D	10 <sup>11</sup> / <sub>16</sub> "	10 <sup>1</sup> / <sub>16</sub> "
E	42 <sup>5</sup> / <sub>16</sub> "	45 <sup>1</sup> / <sub>16</sub> "
F	12 <sup>3</sup> / <sub>8</sub> "	13 <sup>3</sup> / <sub>4</sub> "
G	17 <sup>9</sup> / <sub>16</sub> "	19 <sup>1</sup> / <sub>2</sub> "
H	29 <sup>15</sup> / <sub>16</sub> "	31 <sup>7</sup> / <sub>8</sub> "



## UNIT AND FRAMING SPECIFICATIONS (IN.)

Top Flue Models	Height Actual	Height Framing	Width Actual	Width Framing	Depth Actual	Depth Framing
<b>LOUVERS</b>						
HBZDV36	34 <sup>13</sup> / <sub>16</sub> "	35"	36"	36 <sup>3</sup> / <sub>8</sub> "	16 <sup>7</sup> / <sub>16</sub> "	17"
HBZDV42	37"	37 <sup>1</sup> / <sub>8</sub> "	41 <sup>7</sup> / <sub>8</sub> "	42 <sup>3</sup> / <sub>8</sub> "	16 <sup>7</sup> / <sub>16</sub> "	17"
<b>CLEAN VIEW CIRCULATING KIT (CVCK)</b>						
HBZDV36	34 <sup>11</sup> / <sub>16</sub> "	41"	38 <sup>1</sup> / <sub>16</sub> "	38 <sup>7</sup> / <sub>16</sub> "	18 <sup>7</sup> / <sub>8</sub> "	19 <sup>1</sup> / <sub>2</sub> "
HBZDV42	36 <sup>13</sup> / <sub>16</sub> "	43"	42 <sup>1</sup> / <sub>16</sub> "	42 <sup>7</sup> / <sub>16</sub> "	18 <sup>15</sup> / <sub>16</sub> "	19 <sup>1</sup> / <sub>2</sub> "



2340 Logan Avenue  
Winnipeg, Manitoba, Canada R2R 2V3  
Phone: (204) 632-1962 Fax: (204) 632-1960  
[www.kingsmanfireplaces.com](http://www.kingsmanfireplaces.com)

## HBZDV3624/28, HBZDV4224/28

ZERO CLEARANCE DIRECT VENT GAS FIREPLACE



Canada

**ENERGUIDE**

Look for the **EnerGuide**  
Gas Fireplace Energy  
Efficiency Rating in this brochure

Based on CSA P.4.1-15



\*Components may have to be ordered separately to create a complete unit. Discuss with your local Kingsman dealer for clarification.

Kingsman Fireplaces maintains a program of continuous testing, refinement and improvements of all its products. Some aspect of units shown here may be changed at any time without notice or obligation. Certification: The model HBZDV3624/4224 are certified to ANSI Z21.50-2014, CSA 2.22-2014, CGA 2.17-M91 (R2009) vented gas fireplace. The models HBZDV3628/4228 are certified to ANSI Z21.86-2014, CSA 2.35-2014, CGA 2.17-M91 (R2009) vented gas fireplace heater.

Printed in Canada  
03/18 – B050



CRAFTED ENTIRELY IN CANADA, EACH KINGSMAN FIREPLACE  
IS BUILT TO THE HIGHEST STANDARDS AND MADE TO LAST.

Model HBZDV3628N with HB36GBL Black Grill, LOGC44 Log Set,  
with optional HB36RLH Herringbone Refractory Liner.