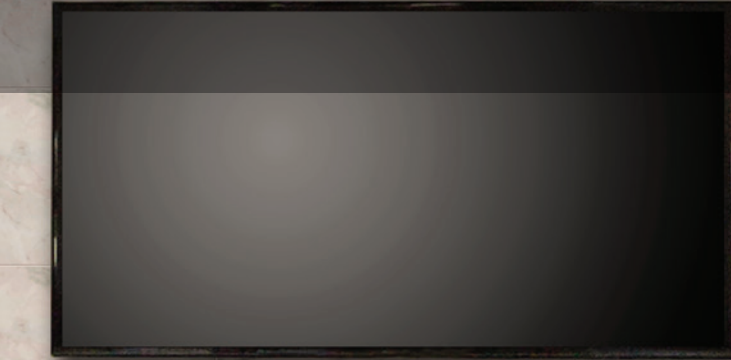




PRODUCT GUIDE



THE ULTIMATE IN DESIGN, ENGINEERING & QUALITY



FIREPLACE BASICS

DIRECT VENT GAS FIREPLACES

Coaxial vent system of a pipe inside a pipe (generally 4"/7") the inside pipe is for exhaust, while the outer pipe brings in outside air for combustion. The design of these fireplaces allow for a completely sealed system that does not compromise inside air quality of your home. It also lets you vent a product horizontally (great for when an appliance is installed on an outside wall). Direct vent appliances are usually limited to a length of 40ft (with a maximum horizontal length of 20ft) that will allow an appliance to function properly.

VENTED GAS FIREPLACES

Uses air-cooled pipe (B-vent), or gas flex liners to vent appliances. These types of appliances use room air for combustion and exhaust through the B-vent pipe or flexible gas liner. Vented appliances are not as restricted in venting length as compared to direct-vent appliances and can utilize existing chimney systems by running a gas flex liner into existing chimneys and terminating with a raincap and flashing.

VENT FREE GAS FIREPLACES

No chimney systems are required and this product can be used almost anywhere in your home (except in bathroom, bedroom, spa room, mobile home, or recreational vehicle), but provisions for adequate combustion and ventilation must be provided (room size and btu's of appliance are the deciding factors of what btu size can be used for a particular installation). The appliance uses room air for combustion and exhausts to the room. These appliances are 99.9% efficient and the vent-free burner systems have an ODS pilot system, which ensures that the burner systems will shut down if oxygen in the room falls below acceptable limits. Approved for use in the USA only.



CRAFTED ENTIRELY IN CANADA, EACH KINGSMAN FIREPLACE IS BUILT TO THE HIGHEST STANDARDS AND MADE TO LAST.

COVER UNIT: Model VRB46N Zero Clearance Direct Vent Gas Fireplace – Natural Gas, ZRB46PL Porcelain Liners, V46EG Enclosure Grill.

KINGSMAN ZERO CLEARANCE FIREPLACE REFERENCE SHEET

24" ZERO CLEARANCE FIREPLACE

Framing Size: 24³/₈" wide x 30" high x 12³/₄" deep

	RATING	GLASS TYPE	LOGS	FAN KIT OPTION	BRICK LINER OPTION
Vent Free ZVF24	Vent Free	Pull Screen	LOGF10	Z33FK	ZVF24RLT/ZVF24RLH

33" ZERO CLEARANCE FIREPLACES

Framing Size with Louvers: 33¹/₈" wide x 31" high

ZVF33: 13³/₄" deep

ZDV3318: 15¹/₄" deep

** Clean View Framing Size: 33⁷/₈" wide x 33³/₈" high X 17³/₄" deep

	RATING	GLASS TYPE	LOGS	FAN KIT OPTION	BRICK LINER OPTION	PORCELAIN LINER
Direct Vent ZDV3318**	Heater	Tempered	LOGC50	Z33FK	Z3318ML	Z3318PRL
Vent Free ZVF33	Vent Free	Pull Screen	LOGF18/LOGF24	Z33FK	-	-

36" ZERO CLEARANCE FIREPLACES

** Framing Size with Louvers: 36³/₈" wide x 35" high x 17" deep

*** Framing Louvers: 36³/₈" wide x 34" high x 15³/₈" deep

** Clean View Framing Size: 38⁷/₁₆" wide x 41" high x 19¹/₂" deep

* ZCV: 36³/₈ wide x 37¹/₄" high x 17¹/₂" deep

	RATING	GLASS TYPE	LOGS	FAN KIT OPTION	BRICK LINER OPTION	PORCELAIN LINER
Direct Vent ZCVRB3622*	Heater	Tempered	Bronze Glass	Z36FK	-	Z3622PRL
Direct Vent ZCV3622*	Heater	Tempered	LOGC51	Z36FK	ZCV3622ML	ZCV3622PRL
Direct Vent HBZDV3624**	Decorative	Tempered	LOGC42/43/44	Z36FK	HB36RLT/LH/RLC/RRH	HB36PL
Direct Vent HBZDV3628**	Heater	Ceramic	LOGC42/43/44	Z36FK	HB36RLT/RLH/RLC/RRH	HB36PL
Vented ZV3600***	Decorative	Tempered	LOGC42/43/44	Z33FK	Z36RL	-

39" ZERO CLEARANCE FIREPLACES

ZCV39 Framing: 39¹/₂" wide x 37⁷/₈" high x 18¹/₂" deep

ZVFCV39 Framing: 39¹/₂" wide x 37⁷/₈" H x 20⁵/₁₆" deep

	RATING	GLASS TYPE	LOGS	FAN KIT OPTION	BRICK LINER OPTION	PORCELAIN LINER
Direct Vent ZCV39	Heater/Decorative	Tempered/Ceramic	LOGF3	Z46FK	ZCV39RLT/RLH/RRH/RLS	ZCV39PL
Vent Free ZVFCV39	Universal	Pull Screen	LOGF18/F24	Z46FK	ZCV39RLT/RLH/RRH/RLS	-

42" ZERO CLEARANCE FIREPLACES

** Framing Size with Louvers: 42³/₈" wide x 37¹/₈" high x 17" deep

ZVFCV42 Framing Size: 42¹/₂" wide x 41" high x 20⁵/₁₆" deep

** Clean View Framing Size: 42⁷/₁₆" wide x 43" high x 19¹/₂" deep

ZCV42 Framing Size: 42¹/₂" wide x 41" high x 18¹/₂" deep

	RATING	GLASS TYPE	LOGS	FAN KIT OPTION	BRICK LINER OPTION	PORCELAIN LINER
Direct Vent HBZDV4224**	Decorative	Tempered	LOGC42/43/44	Z36FK	HBRLT/RLH/RRH	HB42PL
Direct Vent HBZDV4228**	Heater	Ceramic	LOGC42/43/44	Z36FK	HBRLT/RLH/RRH	HB42PL
Vent Free ZVFCV42	Universal	Pull Screens	LOGF18/F24	Z46FK	ZCV42RLT/RLH/RRH/RLS	-
Direct Vent ZCV42	Heater/Decorative	Tempered/Ceramic	LOGF3	Z46FK	ZCV42RLT/RLH/RRH/RLS	ZCV42PL

47" ZERO CLEARANCE FIREPLACES

** Framing Size with Louvers: 47³/₈" wide x 43³/₁₆" high x 19¹/₂" deep

ZVFCV47 Framing 48¹/₂" wide x 45⁷/₁₆" high x 22⁵/₈" deep

** Clean View Framing 48³/₈" wide x 49" high x 22" deep

VRB46 Framing 47" wide x 43³/₄" high x 18¹/₄" deep

	RATING	GLASS TYPE	LOGS	FAN KIT OPTION	BRICK LINER OPTION	PORCELAIN LINER
Direct Vent VRB46	Heater	Tempered	Bronze Glass	Z46FK	-	ZRB46PL
Direct Vent HBZDV4736**	Decorative	Tempered	LOGF36	Z36FK	HB47RLT/RLH/RRH	HB47PL
Vent Free ZVFCV47	Universal	Pull Screens	LOGF24/30	Z46FK	ZCV48RLT/RLH/RLS	-

MULTI VIEW ZERO CLEARANCE FIREPLACES (Corner, See-Through, Peninsula, Island MVF40 only)

Framing size depends on view - See Manual

	RATING	GLASS TYPE	LOGS	FAN KIT OPTION	BRICK LINER OPTION
Direct Vent MDV31	Decorative	Tempered	LOGC31	Z36FK	MDV38RLE/MDV38RLS
Vent Free MVF40*	Universal	Pull Screen	LOGC31	Z36FK	MDV38RLE/MDV38RLS
MCVP42	Decorative/Heater	Tempered/Ceramic	M42LOG3/4	-	MP42RLT/MP42PL
MCVST42	Decorative/Heater	Tempered/Ceramic	M42LOG3/4	Z46FK	MST42RLT/MST42PL

* Universal rated vent free units are approved for other manufacturer's log sets. Vent free burners and logs are available from Kingsman as a system. All millivolt systems are remote ready, Manual systems are not.

* Vent Free is approved for use in the USA only.



GAS FIREPLACES

Warm up your favorite room with the beauty of a Kingsman Gas Fireplace. Available in natural gas and propane, Kingsman quality fireplaces let you enjoy the beauty of glowing embers and dancing flames.

Create an elegant and warm focal point in your home. Choose from a variety of decorative options, including log sets, to create your own distinctive appearance and be assured of complete safety, comfort and long lasting value from a manufacturer of wood and gas fireplaces with more than 40 years of experience.



THE ULTIMATE IN DESIGN, ENGINEERING & QUALITY

Direct Vent

ZDV3318/ZCV3622	1.2
ZCVRB3622	1.6
HBZDV3624/28 HBZDV4224/28	1.8
HBZDV4736	1.10
VRB46	1.12
ZCV39/42	1.14

Vented

ZV3600	1.18
--------	------



ZDV3318 / ZCV3622

ZERO CLEARANCE DIRECT VENT GAS FIREPLACE



THE ULTIMATE IN DESIGN, ENGINEERING & QUALITY

Model ZCV3622N Zero Clearance Direct Vent Natural Gas Fireplace, LOGC51 Oak Log Set, ZCV3622ML Metal Brick Liner, and ZCV36S1BL Black Surround.

Enjoy an incredible line of options and styles – from contemporary to classic – plus the beauty and pleasure of a cozy fire.

Model	ZDV3318N/NE	ZDV3318LP/LPE	ZCV3622N/NE	ZCV3622LP/LPE
Fuel	Natural	Propane	Natural	Propane
Input Max.	19,000 BTU	18,000 BTU	18,000 BTU	18,000 BTU
Input Min.	12,100 BTU	11,900 BTU	13,000 BTU	15,000 BTU
FE (P.4.1-15)	51.72% / 54.25%	55.49% / 57.91%	60.54% / 63.46%	62.09% / 65.09%

ZDV3318

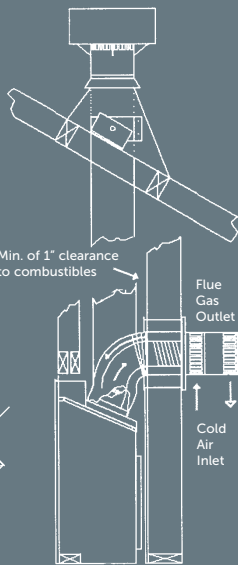
LOUVERED CLEAN VIEW

A	43 ³ / ₄ "	48 ⁷ / ₈ "
B	33"	33 ⁷ / ₈ "
C	32 ¹ / ₂ "	33 ⁹ / ₁₆ "
D	5 ³ / ₈ "	7 ¹ / ₂ "
E	31"	34 ⁹ / ₁₆ "
F	8 ¹ / ₂ "	8 ¹ / ₂ "
G	12"	12"
H	21 ⁷ / ₈ "	24 ⁷ / ₁₆ "

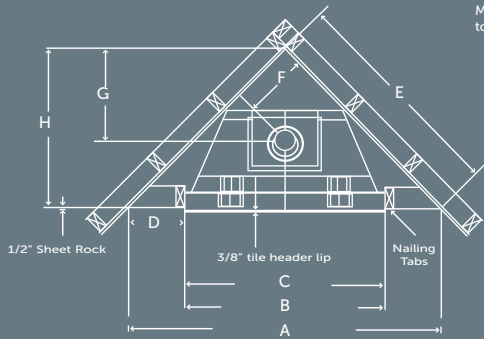
VIEW AREA

Width	Height
25 ¹ / ₂ "	14 ⁹ / ₁₆ "

Vertical Flue Option #1

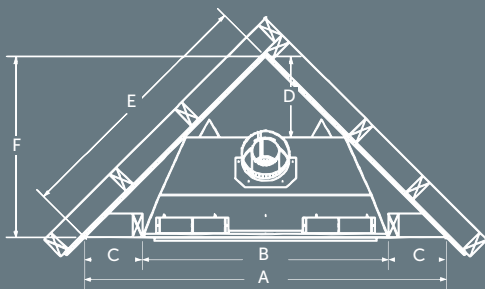


Horizontal Flue Option #2



ZCV3622

A	53 ¹ / ₂ "
B	36 ³ / ₈ "
C	8 ⁹ / ₁₆ "
D	12"
E	37 ⁷ / ₈ "
F	26 ³ / ₄ "



UNIT AND FRAMING SPECIFICATIONS (IN.)

Top Flue Models	Height Actual	Height Framing	Width Actual	Width Framing	Depth Actual	Depth Framing
-----------------	---------------	----------------	--------------	---------------	--------------	---------------

LOUVERS (ZDV3318 model only)

ZDV3318	30 ¹ / ₂ "	31"	32 ³ / ₈ "	33"	15 ⁵ / ₄ "	15 ¹ / ₄ "
---------	----------------------------------	-----	----------------------------------	-----	----------------------------------	----------------------------------

CLEAN VIEW

ZDV3318*	30 ³ / ₈ "	33 ³ / ₈ "	33 ⁹ / ₁₆ "	33 ⁷ / ₈ "	18 ³ / ₁₆ "	17 ³ / ₄ "
ZCV3622	33 ¹ / ₂ "	37 ¹ / ₄ "	36"	36 ³ / ₈ "	17 ⁷ / ₁₆ "	17 ¹ / ₂ "

*ZDV3318 and Z33CVCK Clean View Kit



*Components may have to be ordered separately to create a complete unit. Discuss with your local Kingsman dealer for clarification.

Kingsman Fireplaces maintains a program of continuous testing, refinement and improvements of all its products. Some aspect of units shown here may be changed at any time without notice or obligation.



ZDV3318 / ZCV3622

ZERO CLEARANCE DIRECT VENT GAS FIREPLACE

Take advantage of
the fully dedicated
Clean View Unit!



STANDARD FEATURES*

- Hi/low Millivolt or IPI valve system, will operate during power failures
- Proprietary burner, with realistic burn
- Mobile Home, Bedroom and Bed Sitting Room approved
- Safety Screen Barrier



Safety Screen Barrier

OPTIONAL FEATURES

Designer Clean View Circulating Kit – (ZDV3318 only)

No louvers required

Grills– (ZDV3318 only)

Available in Black

Surrounds Wide (Louvered Units) – (ZDV3318 only)

Available in Black

Coverage • ZDV3318 – 31 3/16" h x 36 5/8" w

Surround – Black – (ZCV3622 only)

Covers Framing Dimensions (39" w x 34 1/16" h)

Fan Kit

Heat activated with variable speed control

Wall Mount Thermostat

Standard On/Off or Programmable
5 day (weekday) and 2 day (weekend)

Remote Control

On/Off, Thermostat On/Off,
Thermostat On/Off modulating

Liners

Porcelain Reflective Liner,
Metal Brick Liner

Log Set

LOGC50 Oak Log Set (ZDV3318 only)
LOGC51 Oak Log Set (ZCV3622 Only)



THE ULTIMATE IN DESIGN, ENGINEERING & QUALITY

Enjoy the elegance and warmth of glowing embers and dancing flames around our traditional oak log set. It is sure to be the focal point of your home. Choose from a variety of decorative options to create your own distinctive appearance and be assured of complete safety, comfort and long lasting value. With a fully sealed combustion chamber there is no pollution spillage to depreciate the indoor air quality of your home.

With a variety of decorative options,
you can create a distinctive look
and be assured of complete safety,
comfort and long-lasting value.



*Components may have to be ordered separately to create a complete unit. Discuss with your local Kingsman dealer for clarification.

Kingsman Fireplaces maintains a program of continuous testing, refinement and improvements of all its products. Some aspect of units shown here may be changed at any time without notice or obligation.



ZCVRB3622

ZERO CLEARANCE **DIRECT VENT** LINEAR GAS FIREPLACE



THE ULTIMATE IN DESIGN, ENGINEERING & QUALITY

ZCVRB3622N Zero Clearance Direct Vent Natural Gas Linear Fireplace, Decorative Bronze Glass, ZCVRB36SSS Surround Trim Kit – Stainless Steel, Z3622PRL Porcelain Reflective Liner, optional ULK2 Universal Light Kit.

Warm up your favourite room with the beauty of a Linear Fireplace.

Model	ZCVRB3622N ZCVRB3622NE	ZCVRB3622LP ZCVRB3622LPE
Fuel	Natural	Propane
Input Max.	17,500	17,500
Input Min.	12,000	14,000
FE (P.4.1-15)	61.36% / 65.82%	62.72% / 64.55%

The ultimate in Zero Clearance Direct Vent Fireplaces for new home construction or renovation, and your best choice for installation anywhere throughout your home.

STANDARD FEATURES

- Hi/Low Millivolt or IPI valve system will operate during power failures
- Decorative Bronze Glass
- Mobile Home, Bedroom and Bed Sitting Room approved
- Safety Screen Barrier



Safety Screen Barrier

OPTIONAL FEATURES

Surround Trim Kit

Black and Stainless Steel (36" w x 22 1/2" h)

Fan Kit

Heat activated with variable speed control

Wall Mount Thermostat

Standard On/Off or Programmable 5 day (weekday) and 2 day (weekend)

Remote Control

On/Off, Thermostat On/Off, Thermostat On/Off modulating



Porcelain Reflective Liner

Universal Light Kit

Two Lamps

Glass Tray

Ember Glass (Bronze)

Multi-colored Cannonballs



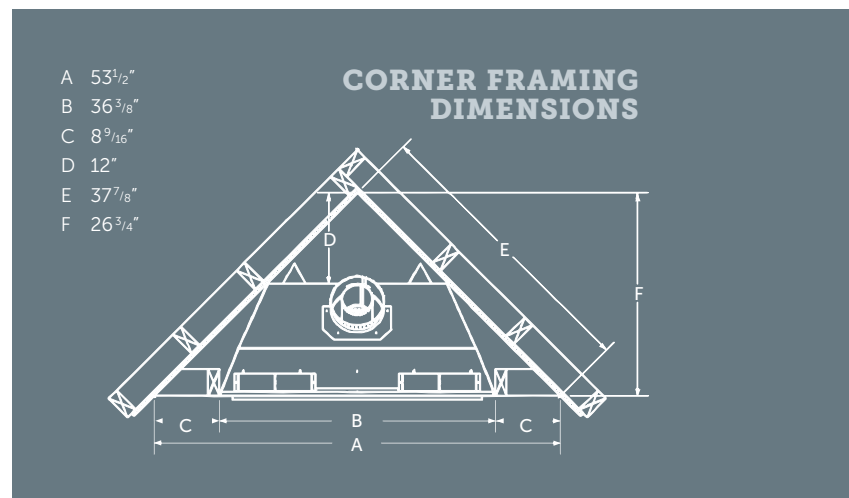
Multi-coloured Cannonballs



Decorative Ember Glass - Bronze

UNIT AND FRAMING SPECIFICATIONS (IN.)

Height Actual	Height Framing	Width Actual	Width Framing	Depth Actual	Depth Framing
37 ¹ / ₈ "	37 ¹ / ₄ "	36"	36 ³ / ₈ "	17 ⁷ / ₁₆ "	17 ¹ / ₂ "



*Components may have to be ordered separately to create a complete unit. Discuss with your local Kingsman dealer for clarification. Kingsman Fireplaces maintains a program of continuous testing, refinement and improvements of all its products. Some aspect of units shown here may be changed at any time without notice or obligation.



HBZDV3624/28, HBZDV4224/28

ZERO CLEARANCE DIRECT VENT GAS FIREPLACE



THE ULTIMATE IN DESIGN, ENGINEERING & QUALITY

Model HBZDV3628N Zero Clearance Direct Vent Natural Gas Fireplace, with LOGC44 Log Set, HB36CVCK Designer Clean View Circulating Kit, and HB36RRH Red Herringbone Refractory Liner.

Kingsman's Direct Vent models are easily adaptable to our patented Designer Clean View technology or standard louvers. Enjoy an incredible line of options and styles – from contemporary to classic – plus the beauty and pleasure of a cozy fire.

Model	HBZDV3624N	HBZDV3624LP	HBZDV3628N	HBZDV3628LP	HBZDV4224N	HBZDV4224LP	HBZDV4228N	HBZDV4228LP
Flue	Top	Top	Top	Top	Top	Top	Top	Top
Fuel	Natural	Propane	Natural	Propane	Natural	Propane	Natural	Propane
Input Max.	24,000 BTU	22,000 BTU	28,000 BTU	26,000 BTU	24,000 BTU	22,000 BTU	28,000 BTU	26,000 BTU
Input Min.	14,000 BTU	15,000 BTU	20,000 BTU	19,000 BTU	14,000 BTU	15,000 BTU	20,000 BTU	19,000 BTU
FE (P4.1-15)	50.48%/52.3%	52.59%/54.24%	60.61%/62.69%	62.48%/64.16%	55.69%/57.81%	57.03%/59.09%	68.04%/70.16%	65.29%/67.66%

STANDARD FEATURES

- Millivolt or IPI valve system allows operation during a power failure with Hi/low heat and flame adjustment
- Dual burner with Realistic Flame Pattern
- A flame sensor that constantly monitors the pilot flame and provides 100% gas shut off if pilot is not sensed
- Safety Screen Barrier



Safety Screen Barrier

OPTIONAL FEATURES

Designer Clean View Circulating Kit
(No Louvers Required)

Grills

Available in Black

Surrounds Wide (Louvered Units)

Available in Black

Coverage • HBZDV3624/28 – 35 1/2" h x 41 1/8" w

Coverage • HBZDV4224/28 – 37 5/8" h x 45 1/8" w

Fan Kit

Heat activated with variable speed control

Brick Refractory Liner

Traditional, Herringbone, and Red Herringbone

Thermostat

Wall Mount Millivolt Thermostat or Programmable Thermostat

Remote Control

On/Off, Thermostat On/Off, Thermostat On/Off modulating, Thermostat On/Off modulating and fan control



Log Sets

Choose from the three available log sets, LOGC42 Classic Oak Four Piece, LOGC43 Traditional Oak Four Piece or LOGC44 Burnt Oak Eight Piece Log Set



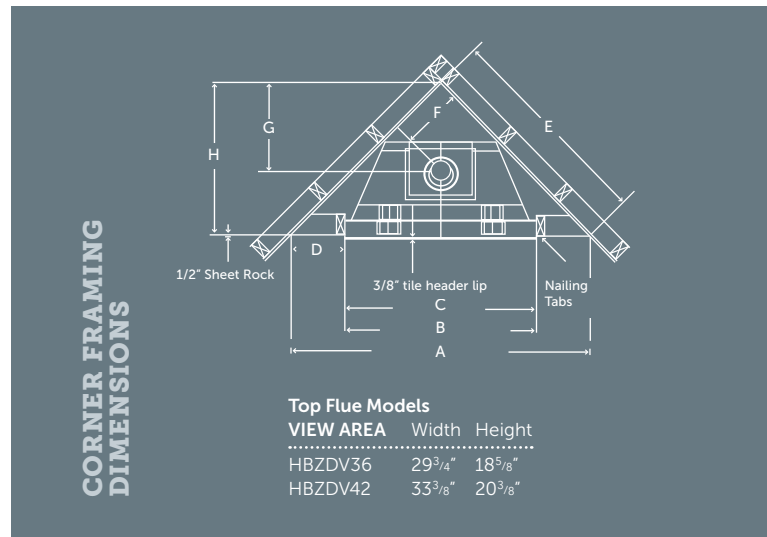
LOGC42



LOGC43

CORNER FRAMING DIMENSIONS

	LOUVERED		CLEAN VIEW CIRCULATING KIT (CVCK)	
	HBZDV36	HBZDV42	HBZDV36	HBZDV42
A	54 ¹³ / ₁₆ "	58 ¹³ / ₁₆ "	59 ⁷ / ₈ "	63 ¹³ / ₁₆ "
B	36 ³ / ₈ "	42 ³ / ₈ "	38 ⁷ / ₁₆ "	42 ⁷ / ₁₆ "
C	36"	42"	38 ¹ / ₈ "	42 ¹ / ₈ "
D	9 ³ / ₁₆ "	8 ¹ / ₄ "	10 ¹¹ / ₁₆ "	10 ¹ / ₁₆ "
E	38 ³ / ₄ "	41 ⁵ / ₈ "	42 ⁵ / ₁₆ "	45 ¹ / ₈ "
F	12 ³ / ₈ "	13 ³ / ₄ "	12 ³ / ₈ "	13 ³ / ₄ "
G	17 ⁹ / ₁₆ "	19 ¹ / ₂ "	17 ⁹ / ₁₆ "	19 ¹ / ₂ "
H	27 ³ / ₈ "	29 ⁷ / ₁₆ "	29 ¹⁵ / ₁₆ "	31 ¹ / ₈ "



UNIT AND FRAMING SPECIFICATIONS (IN.)

Top Flue Models	Height Actual	Height Framing	Width Actual	Width Framing	Depth Actual	Depth Framing
LOUVERS						
HBZDV36	34 ¹³ / ₁₆ "	35"	36"	36 ³ / ₈ "	16 ⁷ / ₁₆ "	17"
HBZDV42	37"	37 ¹ / ₈ "	41 ⁷ / ₈ "	42 ³ / ₈ "	16 ⁷ / ₁₆ "	17"
CLEAN VIEW CIRCULATING KIT (CVCK)						
HBZDV36	34 ¹¹ / ₁₆ "	41"	38 ¹ / ₁₆ "	38 ⁷ / ₁₆ "	18 ⁷ / ₈ "	19 ¹ / ₂ "
HBZDV42	36 ¹³ / ₁₆ "	43"	42 ¹ / ₁₆ "	42 ⁷ / ₁₆ "	18 ¹⁵ / ₁₆ "	19 ¹ / ₂ "



*Components may have to be ordered separately to create a complete unit. Discuss with your local Kingsman dealer for clarification. Kingsman Fireplaces maintains a program of continuous testing, refinement and improvements of all its products. Some aspect of units shown here may be changed at any time without notice or obligation.



HBZDV4736

ZERO CLEARANCE **DIRECT VENT** GAS FIREPLACE



THE ULTIMATE IN DESIGN, ENGINEERING & QUALITY

Model HBZDV4736N Zero Clearance Direct Vent Natural Gas Fireplace, with LOGF36 Log Set, HB47CVCK Designer Clean View Circulating Kit, and Optional HB47RRH Red Herringbone Brick Liner.

Model	HBZDV4736N/NE	HBZDV4736LP/LPE
Flue	Top	Top
Fuel	Natural	Propane
Input Max.	40,000 BTU	36,000 BTU
Input Min.	27,000 BTU	30,000 BTU
FE (P.4.1-15)	60.39% / 61.88%	53.79% / 54.9%

Clearance Direct Vent
 home construction
 your best choice for
 throughout your home.

STANDARD FEATURES

- Millivolt or IPI valve system allows operation during a power failure with Hi/low heat and flame adjustment
- Dual burner with Realistic Flame Pattern
- A flame sensor that constantly monitors the pilot flame
- Safety Screen Barrier



Safety Screen Barrier

OPTIONAL FEATURES

Designer Clean View Circulating Kit

No Louvers Required

Grills

Available in Black

Fan Kit

Heat activated with variable speed control

Brick Refractory Liner

Traditional, Herringbone, Red Herringbone

Thermostat

Wall Mount Millivolt Thermostat or Programmable Thermostat

Remote Control

On/Off, Thermostat On/Off, Thermostat On/Off modulating, Thermostat On/Off modulating and fan control



STYLING



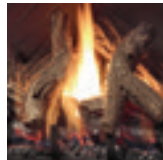
Traditional Brick Liner RLT



Herringbone Brick Liner RLH



Red Herringbone Brick Liner RRH



LogF36

CORNER FRAMING DIMENSIONS

LOUVERED

HBZDV47

A	65 1/4"
B	47 3/8"
C	47 1/16"
D	8 15/16"
E	46 1/8"
F	13 15/16"
G	19 11/16"
H	32 3/8"

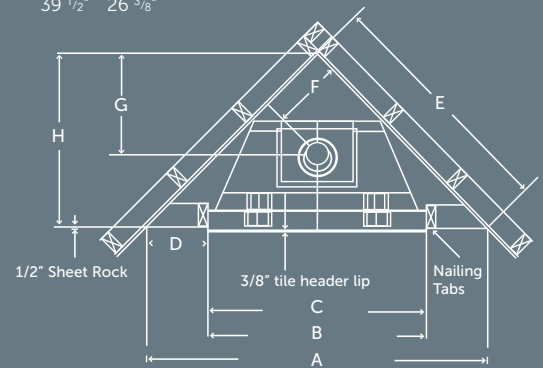
CLEAN VIEW CIRCULATING KIT (CVCK)

HBZDV47

A	70 3/16"
B	48 3/8"
C	48 1/16"
D	10 7/8"
E	49 5/8"
F	13 15/16"
G	19 11/16"
H	35 1/16"

VIEWING AREA	Width	Height
HBZDV47	39 1/2"	26 3/8"

CORNER FRAMING DIMENSIONS



UNIT AND FRAMING SPECIFICATIONS (IN.)

Top Flue Models	Height Actual	Height Framing	Width Actual	Width Framing	Depth Actual	Depth Framing
LOUVERS						
HBZDV47	43 1/16"	43 1/16"	47 1/16"	47 3/8"	19 7/16"	19 1/2"
CLEAN VIEW CIRCULATING KIT (CVCK)						
HBZDV47	49"	49 1/8"	48 1/16"	48 3/8"	21 15/16"	22"



*Components may have to be ordered separately to create a complete unit. Discuss with your local Kingsman dealer for clarification. Kingsman Fireplaces maintains a program of continuous testing, refinement and improvements of all its products. Some aspect of units shown here may be changed at any time without notice or obligation.



VRB46

DIRECT VENT GAS FIREPLACE



VRB46N Zero Clearance Direct Vent Gas Fireplace
 – Natural Gas, ZRB46S1SS Surround Stainless Steel,
 RBCB1 Cannonballs x 14, ZRB46PL Porcelain Liners.



VRB46N Zero Clearance Direct Vent Gas Fireplace
 – Natural Gas, ZRB46PL Porcelain Liners.

STANDARD FEATURES

- Hi/Low Millivolt or IPI valve system will operate during power failures.
- Decorative Bronze Glass
- Mobile Home, Bedroom and Bed Sitting Room approve
- Safety Screen Barrier

OPTIONAL FEATURES

Fan Kit

Heat activated with variable speed control

Wall Mount Thermostat

Standard On/Off or Programmable 5 day (weekday) and 2 day (weekend)

Remote Control

On/Off, Thermostat On/Off, Thermostat On/Off modulating, Thermostat On/Off modulating and fan control

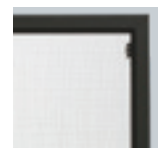
Universal Light Kit

Accent Lighting – Two Lamps

Porcelain Reflective Liner

Cannonballs

Enclosure Grill



Safety Screen Barrier

STYLING



Porcelain Reflective Liner



Multi-coloured Cannonballs



Decorative Ember Glass - Bronze



THE ULTIMATE IN DESIGN, ENGINEERING & QUALITY

**The ultimate in Zero Clearance Direct Vent Fireplaces
for new home construction or renovation, and your best
choice for installation anywhere throughout your home.**

Model	VRB46N/NE	VRB46LP/LPE
Fuel	Natural	Propane
Gas Control	Millivolt / IPI	Millivolt / IPI
Input Max.	23,250 BTU	23,250 BTU
Input Min.	15,750 BTU	17,750 BTU
FE (P.4.1-15)	67.94% / 70.65%	70.95% / 73.94%
Glass Size	40 5/8" x 13 7/8"	40 5/8" x 13 7/8"
Venting	4/7" Kingsman Flex Vent Only	

**Warm up your favourite room with
the beauty of a Linear Fireplace.**

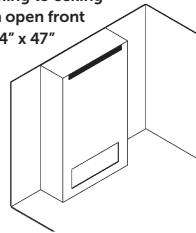
VENTED CHASE OPTION

When installing a TV above the fireplace, Cool Touch Walls, or reduced Mantel Clearances, the chase of the fireplace must be vented. This can be done by either installing a grill on the front of chase or side grills (for a chase that bumps out in to a room) or be open at the top of the chase. (See illustrations and manual for further information).

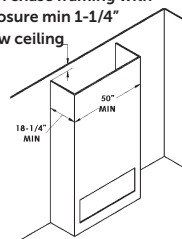
Minimum enclosure height for a vented chase is 70" from bottom of fireplace, ventilation of a 105 in² of minimum free air opening is required. Choose between our V46EG Enclosure Grill or Custom Grill (if custom grills are used the louvers cannot slope) or adequate ventilation opening as stated in the manual. Grill or opening must be within 2" of chase top/ceiling.

NOTE: To vent the fireplace chase, removal of vent shields from the fireplace is required.

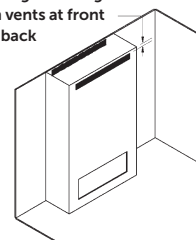
Framing to ceiling with open front 2-1/4" x 47"



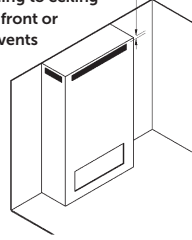
Open chase framing with enclosure min 1-1/4" below ceiling



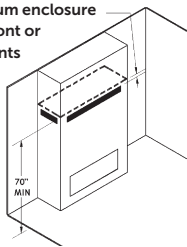
Framing to ceiling with vents at front and back



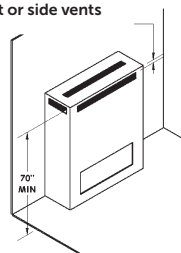
Framing to ceiling with front or side vents



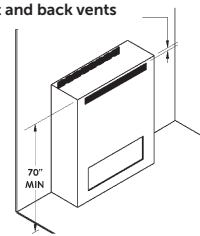
Framing to ceiling, minimum enclosure with front or side vents



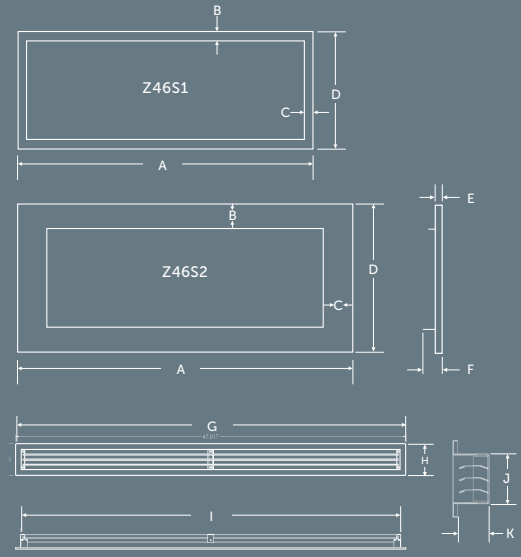
Minimum enclosure with front or side vents



Minimum enclosure with front and back vents



SURROUND & ENCLOSURE GRILL SIZES



	Surrounds		Grill	
	Z46S1	Z46S2	V46EG	
A	44 5/8"	50 3/8"	G	47 13/16"
B	1 1/2"	4 3/8"	H	3 13/16"
C	1 1/2"	4 3/8"	I	46 9/16"
D	17 1/4"	22 1/2"	J	2 1/2"
E	1"	1"	K	1 9/16"
F	1 3/4"	1 3/4"		

SPECIFICATIONS (IN.)

FIREPLACE DIMENSIONS

	Width	Height	Depth
VRB46	46 1/4"	43 1/2"	17 7/8"

FRAMING DIMENSIONS

	Width	Height	Depth
VRB46	47"	43 3/4"	18 1/4"



1. VRB46N Zero Clearance Direct Vent Gas Fireplace – Natural Gas, ZRB46S2BL Surround Stainless Steel, ZRB46PL Porcelain Liners.
2. VRB46N Zero Clearance Direct Vent Gas Fireplace – Natural Gas, ZRB46S1BL Surround Black, ZRB46PL Porcelain Liners.
3. VRB46N Zero Clearance Direct Vent Gas Fireplace – Natural Gas, ZRB46S1BL Surround Black, RBCB1 Cannonballs x 14, ZRB46PL Porcelain Liners.
4. VRB46N Zero Clearance Direct Vent Gas Fireplace – Natural Gas, ZRB46S1SS Surround Stainless Steel, ZRB46PL Porcelain Liners.



*Components may have to be ordered separately to create a complete unit. Discuss with your local Kingsman dealer for clarification.

Kingsman Fireplaces maintains a program of continuous testing, refinement and improvements of all its products. Some aspect of units shown here may be changed at any time without notice or obligation.



ZCV39/42

ZERO CLEARANCE **DIRECT VENT** GAS FIREPLACE



THE ULTIMATE IN DESIGN, ENGINEERING & QUALITY

Model ZCV39NH Zero Clearance Direct Vent Gas Fireplace Natural Gas, ZCV39GT Glass Tray, Z5GC Glass Media – 1/2" Bronze – 5 lbs (x3), ULK2 Universal Light Kit, ZCV39PL Porcelain Reflective Liner, ZCV39S1PFBL Surround – Picture Frame 4" Wide.

Model	ZCV39N ZCV39NE	ZCV39LP ZCV39LPE	ZCV39NH ZCV39NHE	ZCV39LPH ZCV39LPHE
Fuel	Natural	Propane	Natural	Propane
Gas Control	Millivolt / IPI	Millivolt / IPI	Millivolt / IPI	Millivolt / IPI
Input Max.	25,000 BTU	25,000 BTU	28,000 BTU	29,000 BTU
Input Min.	16,750 BTU	20,000 BTU	19,000 BTU	23,000 BTU
FE (P.4.1-15)	52.35% / 54.24%	52.35% / 54.24%	63.81% / 66.17%	66.82% / 68.65%
Glass Size	33" W x 28 5/8"H	33" W x 28 5/8"H	33" W x 28 5/8"H	33" W x 28 5/8"H
Venting	4/7" Flex or 4 x 6 5/8 Hard Pipe* or Power Vent			

*Consult the manual for all approved venting.

OPTIONS



Model ZCV39NH Zero Clearance Direct Vent Gas Fireplace Natural Gas, LOGF3 Log Set - Five Piece, ZCV39RLH Refractory Brick Liner -Herringbone.



Model ZCV39NH Zero Clearance Direct Vent Gas Fireplace Natural Gas, ZCV39GT Glass Tray, RBCB1 Cannonballs, ZCV39PL Porcelain Reflective Liner.

STYLING



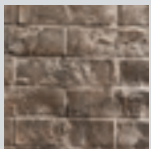
LOGF3 Log Set - Five Pieces



Multi-coloured Cannonballs



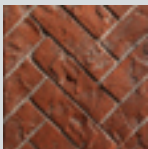
Decorative Ember Glass - Bronze



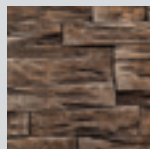
Traditional Brick Liner RLT



Herringbone Brick Liner RLH



Red Herringbone Brick Liner RRH



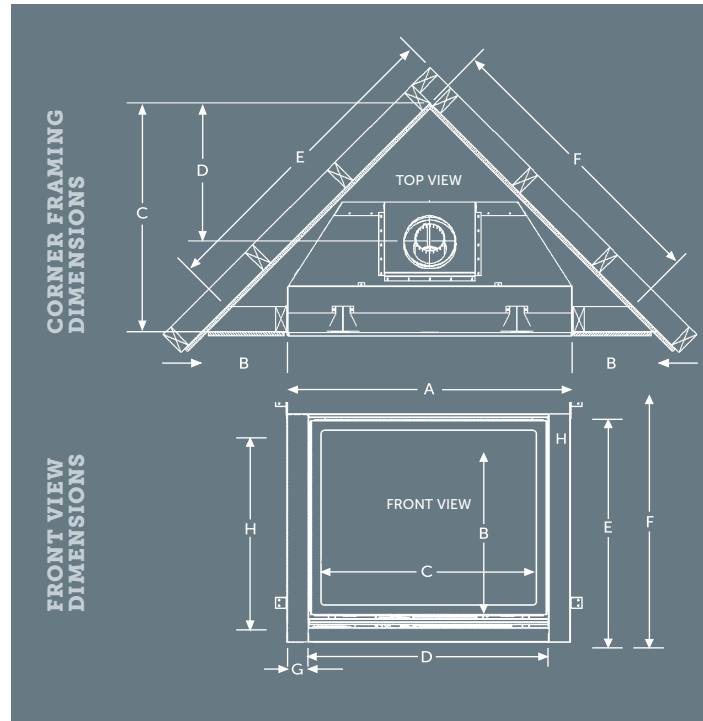
Stacked Brick Liner RLS

CORNER

	ZCV39	ZCV42
A	39 1/2"	42 1/2"
B	11 3/4"	11 3/4"
C	31 1/2"	33"
D	19"	20 1/2"
E	43"	45 1/8"
F	39 1/2"	41 5/8"
G	-	-
H	-	-

FRONT VIEW

	ZCV39	ZCV42
A	39 3/8"	42 3/8"
B	24 1/8"	27 1/4"
C	29 5/8"	33 3/8"
D	33"	37 1/8"
E	34 1/2"	37 3/8"
F	37 3/4"	40 7/8"
G	3"	2 1/2"
H	29 3/8"	32 1/2"



UNIT AND FRAMING SPECIFICATIONS (IN.)

Top Flue Models	Height Actual	Height Framing	Width Actual	Width Framing	Depth Actual	Depth Framing
ZCV39	37 1/4"	37 1/8"	39 3/8"	39 1/2"	18 3/8"	18 1/2"
ZCV42	40 1/8"	41"	42 3/8"	42 1/2"	18 3/8"	18 1/2"



*Components may have to be ordered separately to create a complete unit. Discuss with your local Kingsman dealer for clarification.

Kingsman Fireplaces maintains a program of continuous testing, refinement and improvements of all its products. Some aspect of units shown here may be changed at any time without notice or obligation.



ZCV39/42

ZERO CLEARANCE **DIRECT VENT** GAS FIREPLACE



THE ULTIMATE IN DESIGN, ENGINEERING & QUALITY

Model ZCV39NH Zero Clearance Direct Vent Gas Fireplace Natural Gas, LOGF3 Log Set – Five Piece, ZCV39RLT Refractory Brick Liner – Traditional and ZCV39S1BL Surround – Hearth Mount.

The ultimate in Zero Clearance Direct Vent Fireplaces for new home construction or renovation, and your best choice for installation anywhere throughout your home.

Model	ZCV42N ZCV42NE	ZCV42LP ZCV42LPE	ZCV42NH ZCV42NHE	ZCV42LPH ZCV42LPHE
Fuel	Natural	Propane	Natural	Propane
Gas Control	Millivolt / IPI	Millivolt / IPI	Millivolt / IPI	Millivolt / IPI
Input Max.	25,000 BTU	25,000 BTU	29,500 BTU	29,000 BTU
Input Min.	16,500 BTU	19,500 BTU	20,000 BTU	23,000 BTU
FE (P.4.1-15)	52.86% / 54.95%	52.86% / 54.95%	64.53% / 66.48%	66.65% / 68.77%
Glass Size	37 1/8" W x 31 3/4"H	37 1/8" W x 31 3/4"H	37 1/8" W x 31 3/4"H	37 1/8" W x 31 3/4"H
Venting	4/7" Flex or 4 x 6 5/8 Hard Pipe* or Power Vent			

*Consult the manual for all approved venting.

STANDARD FEATURES

- Dedicated Clean View appliance
- Millivolt or IPI valve system allows operation during a power failure with Hi/Low heat and flame adjustment
- Pan burner with Realistic Flame Pattern
- Safety Screen Barrier



Safety Screen Barrier

OPTIONAL FEATURES

Fan Kit

Heat activated with variable speed control

Picture Frame Surrounds

ZCV39 Surrounds

- Hearth Mount 4" Wide (Covers 40 5/8" W x 35" H)
- Picture Frame 4" Wide (Covers 40 5/8" W x 37" H)
- Picture Frame 1 5/8" Wide (Covers 36 1/8" W x 32 1/2" H)

ZCV42 Surrounds

- Hearth Mount 4" Wide (Covers 44 5/8" W x 38 1/8" H)
- Picture Frame 4" Wide (Covers 44 5/8" W x 40 1/8" H)
- Picture Frame 1 5/8" Wide (Covers 40 1/8" W x 35 5/8" H)

Porcelain Reflective Liner

Glass Tray

Ember Glass (Bronze)

Accent Lighting

For use with the Glass Tray

Log Set

LOGF3 Log Set – Five Pieces

Brick Refractory Liner

Traditional, Herringbone, Red Herringbone and Stacked

Thermostat

Wall Mount Thermostat or Programmable Thermostat

Remote Control

Thermostat on/off, Thermostat on/off modulating, Thermostat on/off modulating and fan control.



Model ZCV39NH Zero Clearance Direct Vent Gas Fireplace Natural Gas, ZCV39GT Glass Tray, RBCB1 Cannonballs, ZCV39PL Porcelain Reflective Liner, ZCV39S2PFBL Surround – Picture Frame 1 5/8" Wide.



Model ZCV39NH Zero Clearance Direct Vent Gas Fireplace Natural Gas, LOGF3 Log Set – Five Piece, ZCV39RLS Refractory Brick Liner – Stacked.



*Components may have to be ordered separately to create a complete unit. Discuss with your local Kingsman dealer for clarification.

Kingsman Fireplaces maintains a program of continuous testing, refinement and improvements of all its products. Some aspect of units shown here may be changed at any time without notice or obligation.



ZV3600

ZERO CLEARANCE VENTED GAS FIREPLACE



THE ULTIMATE IN DESIGN, ENGINEERING & QUALITY

Model ZV3600N Zero Clearance Vented Fireplace – Natural Gas, LOGC43 Log Set, Z36RL Brick Liner with Z1GBL Grills – Black.

Model	ZV3600N ZV3600NE	ZV3600LP ZV3600LPE
Flue	Top	Top
Fuel	Natural	Propane
Input BTU	14,000-21,000 BTU	17,000-20,000 BTU
FE (P.4.1-15)	35.82% / 37.20%	41.85% / 43.55%

STANDARD FEATURES

- Hi/low Millivolt or IPI valve system with variable adjustment of flame and BTU
- Dual burner with Realistic Flame Pattern
- A flame sensor that constantly monitors the pilot flame and provides 100% gas shut off if pilot is not sensed
- Safety Screen Barrier



Safety Screen Barrier

OPTIONAL FEATURES

Grills

Available in Black

Surrounds Wide

Available in Black
Coverage • ZV3600 – 34 1/2" h x 41 1/8" w

Fan Kit

Heat activated blower with variable speed control

Brick Refractory Liner

Three piece

Thermostat

Wall Mount Millivolt Thermostat or Programmable Thermostat

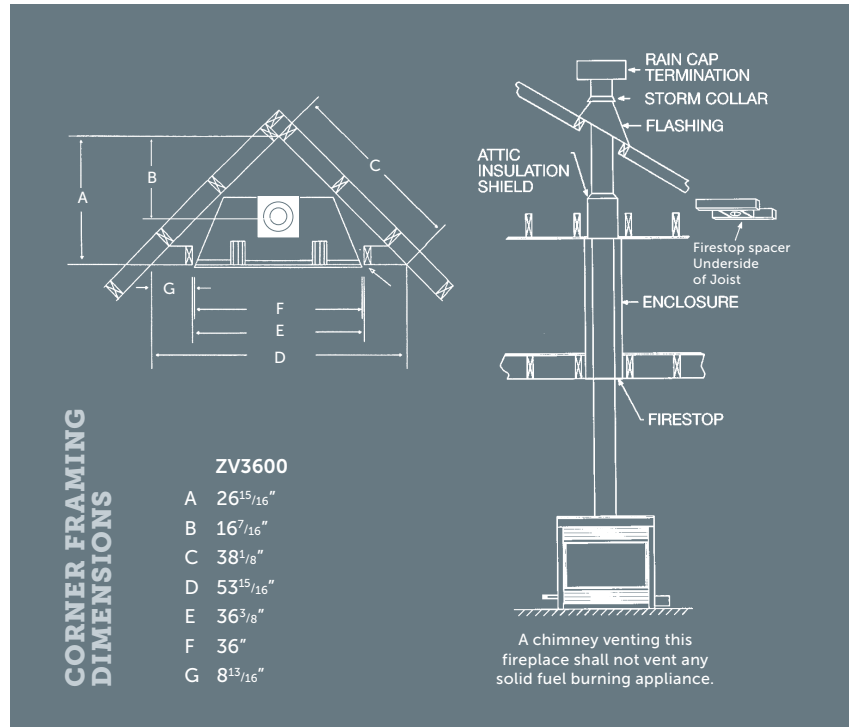


Remote Control

On/Off, Thermostat On/Off, Thermostat On/Off modulating, Thermostat On/Off modulating and fan control

Log Sets

Choose from our LOGC42 Classic Oak Four Piece, LOGC43 Traditional Oak Four Piece or LOGC44 Burnt Oak Eight Piece



UNIT AND FRAMING SPECIFICATIONS (IN.)

Models	Height		Front Width		Depth	
	Actual	Framing	Actual	Framing	Actual	Framing
ZV3600	33 3/4"	34"	36"	36 3/8"	15 3/4"	15 3/8"



Model ZV3600N Zero Clearance Vented Fireplace – Natural Gas, with LOGC44, Z1GBL Grills, Black, Z36RL Brick Liner.



Model ZV3600N Zero Clearance Vented Fireplace – Natural Gas, with LOGC42, Z1GBL Grills, Black.



*Components may have to be ordered separately to create a complete unit. Discuss with your local Kingsman dealer for clarification.

Kingsman Fireplaces maintains a program of continuous testing, refinement and improvements of all its products. Some aspect of units shown here may be changed at any time without notice or obligation.



MULTI-SIDED GAS FIREPLACES

Warm up your favorite room with the beauty of a Kingsman Gas Fireplace. Available in natural gas and propane, Kingsman quality fireplaces let you enjoy the beauty of glowing embers and dancing flames.

Create an elegant and warm focal point in your home. Choose from a variety of decorative options, including log sets, to create your own distinctive appearance and be assured of complete safety, comfort and long lasting value from a manufacturer of wood and gas fireplaces with more than 40 years of experience.



THE ULTIMATE IN DESIGN, ENGINEERING & QUALITY

Direct Vent

MDV31/39 CORNER	2.2
MDV31/39 SEE-THROUGH	2.4
MDV31/39 PENINSULA	2.6
MCVST42 SEE-THROUGH	2.8
MCVP42 PENINSULA	2.10



MDV31/39

DIRECT VENT MULTI-SIDED CORNER FIREPLACE



THE ULTIMATE IN DESIGN, ENGINEERING & QUALITY

Model MDVL31N Multi-Sided Direct Vent Fireplace in natural gas, LOGC31 Log Set – Seven Piece Cast Split Oak, M30CK Corner Kit, MGCKBL Grill Kit – Black, optional Refractory Liners MDV38RLE – End and MDV38RLS – Side.

There's nothing like the magic of fire to add comfort and beauty to not just one room – but two! Discover its stylish appeal that is perfectly suited as a divider in large multi-purpose rooms such as a great room or lower level.

Model	MDV31N / MDV31NE	MDV31LP / MDV31LPE
Fuel	Natural	Propane
Input Max.	30,000 BTU	30,000 BTU
Input Min.	22,500 BTU	25,000 BTU
Glass Type	Tempered	Tempered
Bedroom Approved	*Yes	*Yes
FE (P.4.1-15)	60.94% / 63.27%	60.94% / 63.27%

*Must be installed with listed thermostat, in Canada. Check local jurisdiction in USA.

STANDARD FEATURES

- Hi/low Millivolt or IPI valve with variable adjustment of flame and BTU
- A flame sensor that constantly monitors the pilot flame and provides 100% gas shut off if pilot is not sensed
- A triple burner with seven piece cast split oak log set with glowing ember bed and decorative ash bed
- Safety Screen Barrier



Safety Screen Barrier

OPTIONAL FEATURES

Grills

Available in Black

Surround Wide (See Through Louvered only)

Available in Black

Fan Kit

Thermostatically controlled for automatic On/Off operation and variable speed control

Brick Refractory Liners

End Panel

Thermostat

Wall Mount Millivolt or Programmable Thermostat

Remote Control

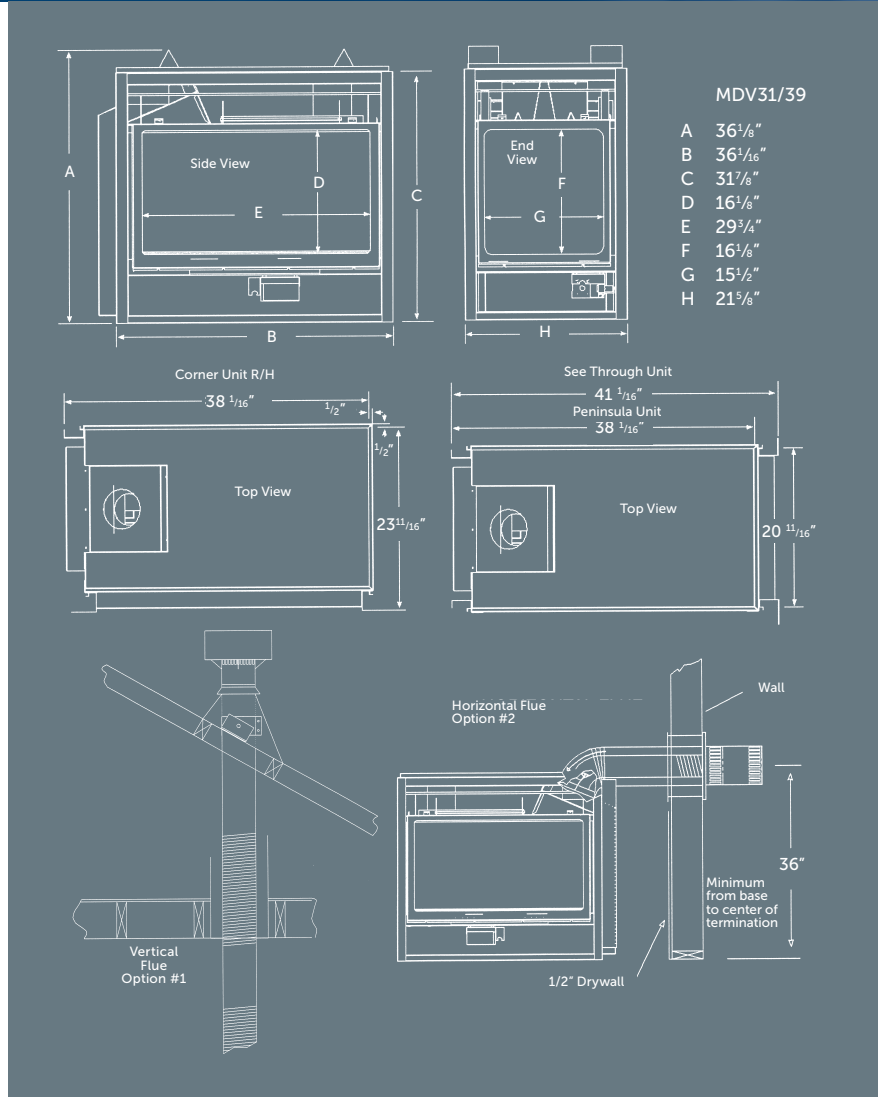
On/Off, Thermostat On/Off, Thermostat On/Off modulating, Thermostat On/Off modulating and fan control

Designer Clean View Circulating Kit

No louvers required
Two Clean views required for installation

Clean View Framing (See Through Only)

42 1/2" H x 46 1/8" W x 25 5/8" D



UNIT AND FRAMING SPECIFICATIONS (IN.)

LOUVERED MODEL	Height Framing	Width Framing	Depth Framing
CORNER	37"	38 1/8"	23 3/4"
PENINSULA	37"	38 1/8"	20 5/8"
SEE-THROUGH	37"	41 1/8"	20 5/8"

Minimum 42" height for combustible enclosure, with insulation sleeve.



*Components may have to be ordered separately to create a complete unit. Discuss with your local Kingsman dealer for clarification. Kingsman Fireplaces maintains a program of continuous testing, refinement and improvements of all its products. Some aspect of units shown here may be changed at any time without notice or obligation.



MDV31/39

DIRECT VENT MULTI-SIDED SEE-THROUGH FIREPLACE



THE ULTIMATE IN DESIGN, ENGINEERING & QUALITY

This unit illustrated is a MDVR31N Multi-Sided Direct Vent Fireplace in natural gas, LOGC31 Log Set – Seven Piece Cast Split Oak, M30SK See Through Kit, Z36CVCK Designer Clean View Circulating Kit (2).

There's nothing like the magic of fire to add comfort and beauty to not just one room – but two! Discover its stylish appeal that is perfectly suited as a divider in large multi-purpose rooms such as a great room or lower level.

Model	MDV31N / MDV31NE	MDV31LP / MDV31LPE
Fuel	Natural	Propane
Input Max.	30,000 BTU	30,000 BTU
Input Min.	22,500 BTU	25,000 BTU
Glass Type	Tempered	Tempered
Bedroom Approved	*Yes	*Yes
FE (P.4.1-15)	60.94% / 63.27%	60.94% / 63.27%

*Must be installed with listed thermostat, in Canada. Check local jurisdiction in USA.

STANDARD FEATURES

- Hi/low Millivolt or IPI valve with variable adjustment of flame and BTU
- A flame sensor that constantly monitors the pilot flame and provides 100% gas shut off if pilot is not sensed
- A triple burner with seven piece cast split oak log set with glowing ember bed and decorative ash bed
- Safety Screen Barrier



Safety Screen Barrier

OPTIONAL FEATURES

Grills

Available in Black

Surround Wide (See Through Louvered only)

Available in Black

Fan Kit

Thermostatically controlled for automatic On/Off operation and variable speed control

Brick Refractory Liners

End Panel

Thermostat

Wall Mount Millivolt or Programmable Thermostat

Remote Control

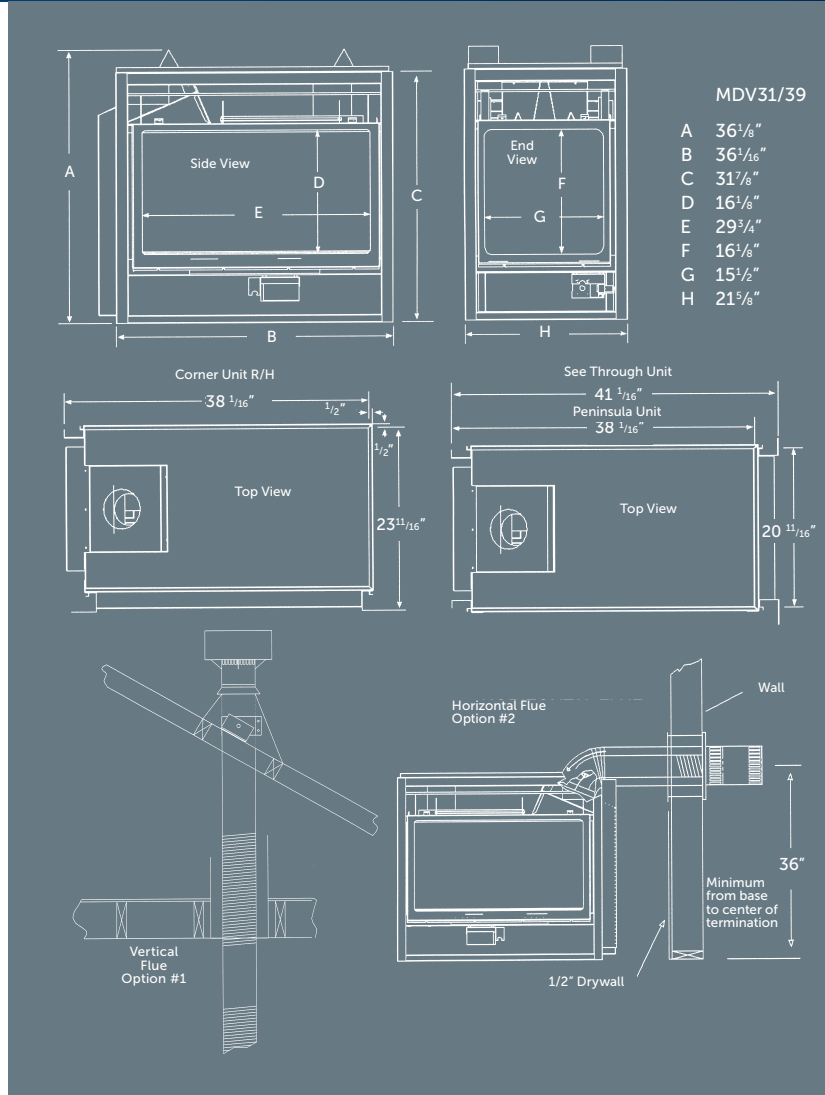
On/Off, Thermostat On/Off, Thermostat On/Off modulating, Thermostat On/Off modulating and fan control

Designer Clean View Circulating Kit

No louvers required
Two Clean views required for installation

Clean View Framing (See Through Only)

42 1/2" H x 46 1/8" W x 25 5/8" D



UNIT AND FRAMING SPECIFICATIONS (IN.)

LOUVERED MODEL	Height Framing	Width Framing	Depth Framing
CORNER	37"	38 1/8"	23 3/4"
PENINSULA	37"	38 1/8"	20 5/8"
SEE-THROUGH	37"	41 1/8"	20 5/8"

Minimum 42" height for combustible enclosure, with insulation sleeve.



*Components may have to be ordered separately to create a complete unit. Discuss with your local Kingsman dealer for clarification. Kingsman Fireplaces maintains a program of continuous testing, refinement and improvements of all its products. Some aspect of units shown here may be changed at any time without notice or obligation.



MDV31/39

DIRECT VENT MULTI-SIDED PENINSULA FIREPLACE



THE ULTIMATE IN DESIGN, ENGINEERING & QUALITY

Model MDVR31N Multi-Sided Direct Vent Fireplace in natural gas, LOGC31 Log Set – Seven Piece Cast Split Oak, M30PK Peninsula Kit, MGPKBL Grill Kit – Black, optional MDV38RLE Refractory Liner.

There's nothing like the magic of fire to add comfort and beauty to not just one room – but two! Discover its stylish appeal that is perfectly suited as a divider in large multi-purpose rooms such as a great room or lower level.

Model	MDV31N / MDV31NE	MDV31LP / MDV31LPE
Fuel	Natural	Propane
Input Max.	30,000 BTU	30,000 BTU
Input Min.	22,500 BTU	25,000 BTU
Glass Type	Tempered	Tempered
Bedroom Approved	*Yes	*Yes
FE (P.4.1-15)	60.94% / 63.27%	60.94% / 63.27%

*Must be installed with listed thermostat, in Canada. Check local jurisdiction in USA.

STANDARD FEATURES

- Hi/low Millivolt or IPI valve with variable adjustment of flame and BTU
- A flame sensor that constantly monitors the pilot flame and provides 100% gas shut off if pilot is not sensed
- A triple burner with seven piece cast split oak log set with glowing ember bed and decorative ash bed
- Safety Screen Barrier



Safety Screen Barrier

OPTIONAL FEATURES

Grills

Available in Black

Surround Wide (See Through Louvered only)

Available in Black

Fan Kit

Thermostatically controlled for automatic On/Off operation and variable speed control

Brick Refractory Liners

End Panel

Thermostat

Wall Mount Millivolt or Programmable Thermostat

Remote Control

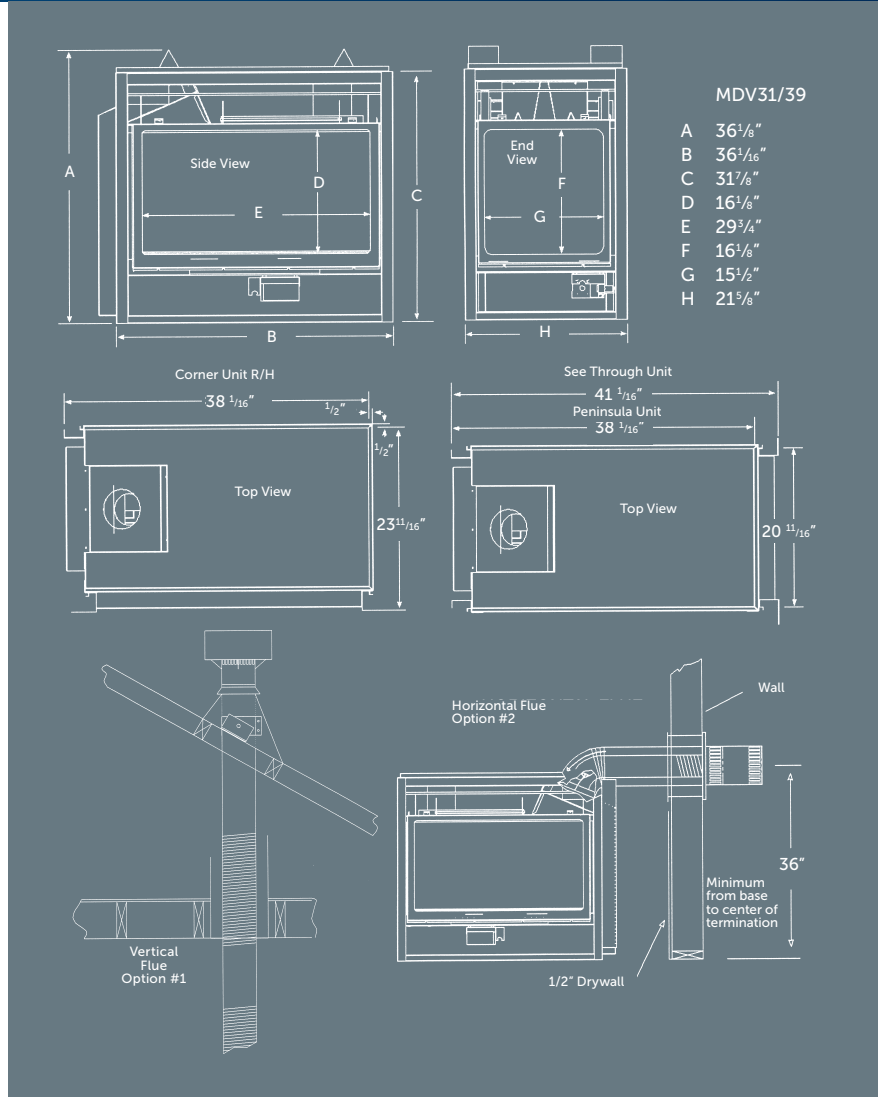
On/Off, Thermostat On/Off, Thermostat On/Off modulating, Thermostat On/Off modulating and fan control

Designer Clean View Circulating Kit

No louvers required
Two Clean views required for installation

Clean View Framing (See Through Only)

42 1/2" H x 46 1/8" W x 25 5/8" D



UNIT AND FRAMING SPECIFICATIONS (IN.)

LOUVERED MODEL	Height Framing	Width Framing	Depth Framing
CORNER	37"	38 1/8"	23 3/4"
PENINSULA	37"	38 1/8"	20 5/8"
SEE-THROUGH	37"	41 1/8"	20 5/8"

Minimum 42" height for combustible enclosure, with insulation sleeve.



*Components may have to be ordered separately to create a complete unit. Discuss with your local Kingsman dealer for clarification. Kingsman Fireplaces maintains a program of continuous testing, refinement and improvements of all its products. Some aspect of units shown here may be changed at any time without notice or obligation.



MCVST42

ZERO CLEARANCE **DIRECT VENT** SEE-THROUGH GAS FIREPLACE

Make the most of the best view in the house with our line of Zero Clearance Direct Vent See-Through Gas Fireplaces. Ideally suited for new construction or renovations anywhere in your home.



THE ULTIMATE IN DESIGN, ENGINEERING & QUALITY

Model MCVST42NH See-Through Fireplace – Natural Gas, M42LG Log Grate, M42LOG4 Oak Log Set, MST42RLT Traditional Brick Liner.

STANDARD FEATURES

- Dedicated Clean View appliance
- Millivolt or IPI valve system allows operation during a power failure with Hi/Low heat and flame adjustment
- Safety Screen Barrier*

Model	MCVST42N / NE	MCVST42LP / LPE	MCVST42NH / NHE	MCVST42LPH / LPHE
Fuel	Natural	Propane	Natural	Propane
Gas Control	Millivolt / IPI	Millivolt / IPI	Millivolt / IPI	Millivolt / IPI
Input Max.	30,250 BTU	29,000 BTU	31,000 BTU	29,250 BTU
Input Min.	20,750 BTU	23,000 BTU	21,000 BTU	23,000 BTU
FE (P.4.1-15)	57.56% / 59.55%	58.56% / 55.32%	66.45% / 68.58%	67.88% / 70.36%
Glass Type	Tempered	Tempered	Ceramic	Ceramic

OPTIONAL FEATURES

Fan Kit

Heat activated with variable speed control

Surrounds

- Hearth Mount 4" Wide (Covers 44 5/8" W x 38 1/8" H)
- Picture Frame 4" Wide (Covers 44 5/8" W x 40 1/8" H)
- Picture Frame 1 5/8" Wide (Covers 40 1/8" W x 35 5/8" H)

Porcelain Reflective Liner

Glass Tray

For use with Bronze Glass Media, Cannonballs, and Driftwood Log Set

Accent Lighting

For use with the Glass Tray

Log Set

Oak (8 piece) Set, and Driftwood (6 Piece) Set.

Brick Refractory Liner

Traditional

Thermostat

Wall Mount Millivolt Thermostat or Programmable Thermostat



Remote Control

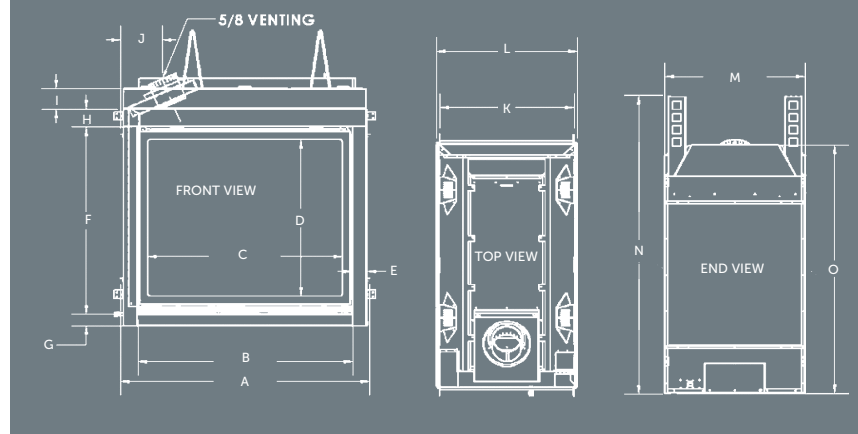
Thermostat on/off, Thermostat on/off modulating, Thermostat on/off modulating and fan control.

OPTIONS



Model MCVST42NH See-Through Fireplace – Natural Gas, ZCV42S2PFBL Surround Picture Frame 1 5/8" Wide, MST42GT Glass Tray, ZG5C Glass Media – Bronze x (5), RBCB1 Cannonballs, MST42PL Porcelain Liner.

UNIT DIMENSIONS AND SPECIFICATIONS



	FRONT VIEW	TOP VIEW	END VIEW
A	43 ¹ / ₁₆ "	-	-
B	37 ¹ / ₁₆ "	-	-
C	33 ¹¹ / ₁₆ "	-	-
D	27 ³ / ₁₆ "	-	-
E	2 ¹ / ₂ "	-	-
F	32 ¹ / ₂ "	-	-
G	2"	-	-
H	3 ¹ / ₈ "	-	-
I	3 ¹ / ₂ "	-	-
J	7 ¹ / ₄ "	-	-
K	-	23 ³ / ₈ "	-
L	-	24 ¹ / ₄ "	-
M	-	-	24 ¹ / ₄ "
N	-	-	51 ¹ / ₄ "
O	-	-	42 ⁷ / ₈ "

UNIT AND FRAMING SPECIFICATIONS (IN.)

Top Flue Models	Height Actual	Height Framing	Width Actual	Width Framing	Depth Actual	Depth Framing
MCVST42	51 ¹ / ₄ "	51 ³ / ₈ "	43 ¹ / ₁₆ "	43 ¹ / ₈ "	24 ¹ / ₄ "	23 ⁷ / ₁₆ "



*Components may have to be ordered separately to create a complete unit. Discuss with your local Kingsman dealer for clarification.

Kingsman Fireplaces maintains a program of continuous testing, refinement and improvements of all its products. Some aspect of units shown here may be changed at any time without notice or obligation.



MCVP42

ZERO CLEARANCE **DIRECT VENT** PENINSULA GAS FIREPLACE



THE ULTIMATE IN DESIGN, ENGINEERING & QUALITY

Model MCV42NH Peninsula Fireplace – Natural Gas, M42LG Log Grate, M42LOG4 Oak Log Set, MP42RLT Traditional Brick Liner.

Make the most of the best view in the house with our line of Zero Clearance Direct Vent Peninsula Gas Fireplaces. Ideally suited for new construction or renovations anywhere in your home.

Model	MCVP42N/NE	MCVP42LP/LPE	MCVP42NH/NHE	MCVP42LPH/LPHE
Fuel	Natural	Propane	Natural	Propane
Gas Control	Millivolt / IPI	Millivolt / IPI	Millivolt / IPI	Millivolt / IPI
Input Max.	30,250 BTU	28,500 BTU	31,250 BTU	29,000 BTU
Input Min.	21,000 BTU	23,000 BTU	21,250 BTU	23,000 BTU
FE (P.4.1-15)	53% / 54.63%	53.82% / 55.32%	64.55% / 66.49%	65.66% / 67.42%
Glass Type	Tempered	Tempered	Ceramic	Ceramic

STANDARD FEATURES

- Dedicated Clean View appliance
- Millivolt or IPI valve system allows operation during a power failure with Hi/Low heat and flame adjustment
- Safety Screen Barrier



Safety Screen Barrier

OPTIONAL FEATURES

Porcelain Reflective Liner

Brick Refractory Liner

Traditional

Glass Tray

For use with Bronze Glass Media, Cannonballs, and Driftwood Log Set

Accent Lighting

For use with the Glass Tray

Log Set

Oak (8 piece) Set, and Driftwood (6 Piece) Set

Thermostat

Wall Mount Millivolt Thermostat or Programmable Thermostat



Remote Control

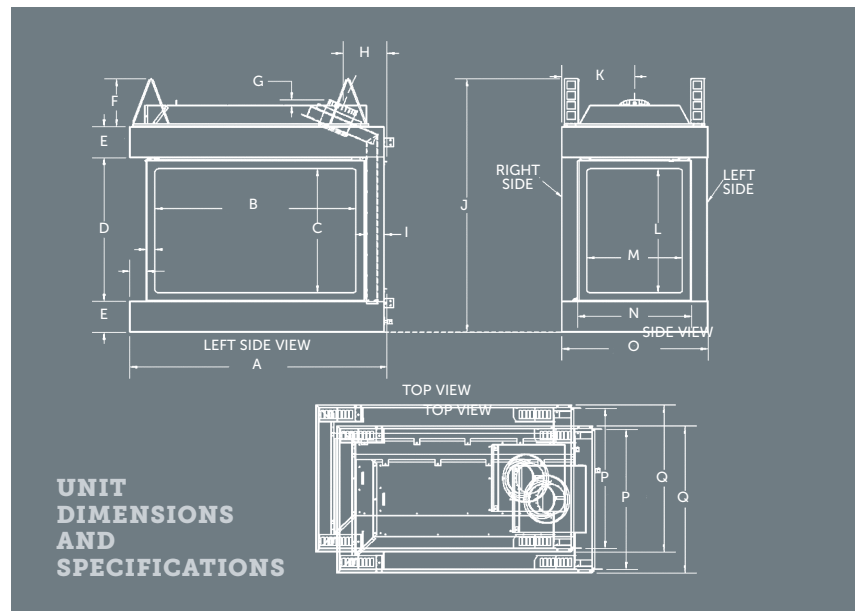
Thermostat on/off, Thermostat on/off modulating, Thermostat on/off modulating and light control.

FRONT VIEW	SIDE VIEW	TOP VIEW	
A	43 ¹ / ₁₆ "	-	
B	33 ¹¹ / ₁₆ "	-	
C	20 ⁵ / ₈ "	-	
D	23 ¹⁵ / ₁₆ "	-	
E	5 ³ / ₁₆ "	-	
F	8"	-	
G	1"	-	
H	7 ³ / ₈ "	-	
I	3"	-	
J	-	42 ¹ / ₄ "	
K	-	12 ¹ / ₄ "	
L	-	20 ⁵ / ₈ "	
M	-	16"	
N	-	19"	
O	-	24 ¹ / ₄ "	
P	-	-	23 ¹ / ₄ "
Q	-	-	24 ¹ / ₂ "

OPTIONS



Model MCVP42NH Peninsula Fireplace – Natural Gas, MP42GT Glass Tray,ZG5C Glass Media – Bronze x (5), MP42PL Porcelain Reflective Liner.



UNIT AND FRAMING SPECIFICATIONS (IN.)

Top Flue Models	Height Actual	Height Framing	Width Actual	Width Framing	Depth Actual	Depth Framing
MCVP42	42 ¹ / ₄ "	42 ³ / ₈ "	43 ¹ / ₁₆ "	42 ¹ / ₂ "	24 ¹ / ₂ "	23 ⁵ / ₁₆ "



*Components may have to be ordered separately to create a complete unit. Discuss with your local Kingsman dealer for clarification. Kingsman Fireplaces maintains a program of continuous testing, refinement and improvements of all its products. Some aspect of units shown here may be changed at any time without notice or obligation.



FREESTANDING STOVES

Warm up your favorite room with the beauty of a Kingsman Gas Stove. Available in natural gas and propane, Kingsman quality stoves let you enjoy the beauty of glowing embers and dancing flames.

Create an elegant and warm focal point in your home. Choose from a variety of decorative options, including log sets, to create your own distinctive appearance and be assured of complete safety, comfort and long lasting value from a manufacturer of wood and gas fireplaces with more than 40 years of experience.



THE ULTIMATE IN DESIGN, ENGINEERING & QUALITY

Direct Vent

FDV451	3.2
--------	-----

Vent-Free

FVF350	3.4
--------	-----



FDV451

FREE STANDING **DIRECT VENT** GAS STOVE



THE ULTIMATE IN DESIGN, ENGINEERING & QUALITY

Model FDV451N Free Standing Direct Vent Gas Stove – Natural Gas, F450FBL Door Front – Charcoal with Flat Black Posts, F451SDSBL Side Doors with Flat Black Frame and Charcoal Solid Panel, LOGF451 Oak Log Set, F451RLT Traditional Brick Liner, F45FK Fan Kit.

Model	FDV451N / NE	FDV451LP / LPE
Gas Control	Millivolt / IPI	Millivolt / IPI
Fuel	Natural	Propane
Input Low	34,500 BTU	31,000 BTU
Input High	23,750 BTU	24,500 BTU
FE (P.4.1-15)	65.89% / 67.72%	72.14% / 74.06%

A SAFE AND EFFICIENT HEATING APPLIANCE WITH THE CONVENIENCE OF GAS

STANDARD FEATURES*

- Millivolt or IPI valve system allows operation during a power failure with Hi-Low heat and flame adjustment
- Dual burner system, with Realistic Flame Pattern
- Heat radiating ceramic glass
- Mobile home approved – (Direct Vent Model Only)
- Approved for installation in a bedroom or bed sitting room
- Safety Screen Barrier

OPTIONAL FEATURES

Fan Kit

Heat activated with variable speed control

Front Color Choices

Charcoal with Accent colors of Flat Black or Stainless Steel

Side Panels

Charcoal Panels with Trim colors of Flat Black or Stainless Steel

Log Sets

Oak

Brick Refractory Liner

Traditional or Herringbone

Reflective Porcelain Liner

Media Types

Bronze Glass or Cannonballs

Thermostat

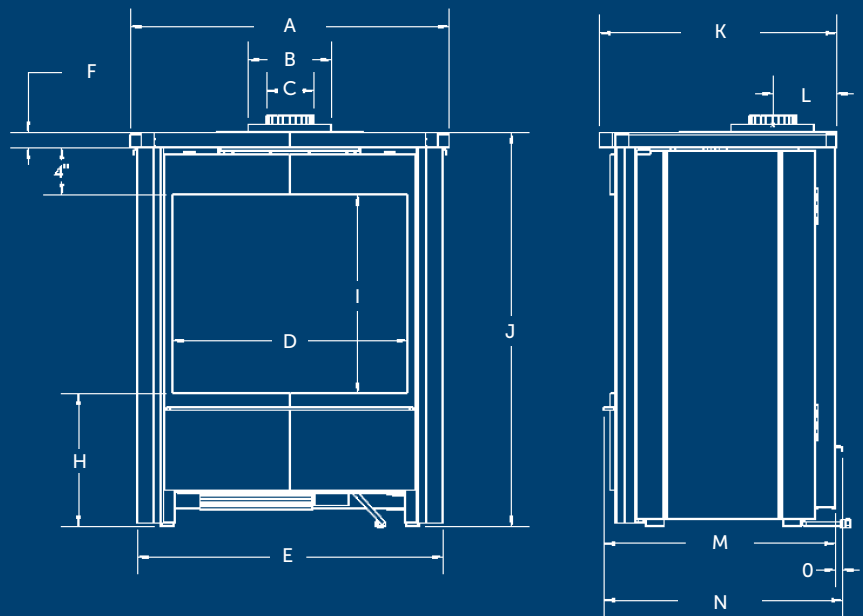
Wall Mount Millivolt Thermostat or Programmable Thermostat

Remote Control

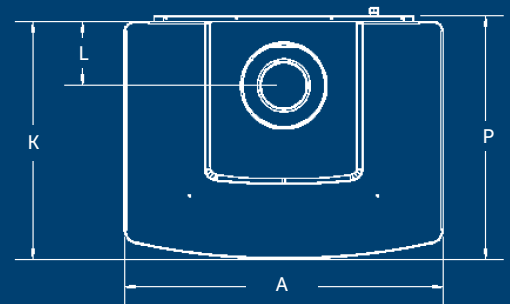
On/Off, Thermostat On/Off, Thermostat On/Off modulating, Thermostat On/Off modulating and fan control



SIZING AND DIMENSIONS



A	27 ¹ / ₈ "	I	16 ¹⁵ / ₁₆ "
B	7"	J	33 ¹ / ₂ "
C	4"	K	20 ¹ / ₈ "
D	20"	L	5 ³ / ₈ "
E	26"	M	19 ³ / ₄ "
F	1 ¹ / ₄ "	N	20 ⁵ / ₁₆ "
G	4"	O	9 ⁹ / ₁₆ "
H	11 ⁵ / ₁₆ "	P	20 ⁵ / ₈ "



MINIMUM CLEARANCES TO COMBUSTIBLES:

- 36" from front of unit
- 15 ¹/₂" from side of unit
- 2 ¹/₂" from back of unit

ALCOVE INSTALLATION:

- 48" depth (max.)
- 71 ¹/₂" height (min.)
- 58" width (min.)



*Components may have to be ordered separately to create a complete unit. Discuss with your local Kingsman dealer for clarification.

Kingsman Fireplaces maintains a program of continuous testing, refinement and improvements of all its products. Some aspect of units shown here may be changed at any time without notice or obligation.



FVF350

VENT-FREE FREE STANDING GAS STOVE



THE ULTIMATE IN DESIGN, ENGINEERING & QUALITY

Model FVF350 Vent Free Stove, FVFB350MVN Natural Gas Millivolt Burner, FVF350DB Black Door, F35LG Gold Louver, LOGF35 Fibre Oak Log Set.

Model	FVFB350MVN	FVFB350MVP
Input Low	25,000 BTU	27,000 BTU
Input High	40,000 BTU	37,000 BTU
Valve Type	Millivolt	Millivolt
Efficiency	99.9%	99.9%

The ultimate in Vent-Free Free Standing Gas Stoves for new home construction or renovation, and your best choice for installation anywhere throughout your home.

STANDARD FEATURES

- Millivolt Valve with Hi-Low heat and flame adjustment and allows operation during a power failure
- Dual burner system, with realistic flame pattern
- Black Arch Door with Fixed Mesh Screen
- Equipped with 100% safety shut-off feature (ODS) Oxygen Depletion Sensor
- Black Louver
- Fibre Oak Log Set with glowing embers*
- No chimney or vent required, maximizes location flexibility
- Safety Screen Barrier

OPTIONAL FEATURES

Fan Kit

Heat activated blower with variable speed control

Louver

Gold (24 carat) Louver

Thermostat

Wall Mount Millivolt Thermostat or Programmable Thermostat

Remote Control

On/Off, Thermostat or Hi/Lo On/Off

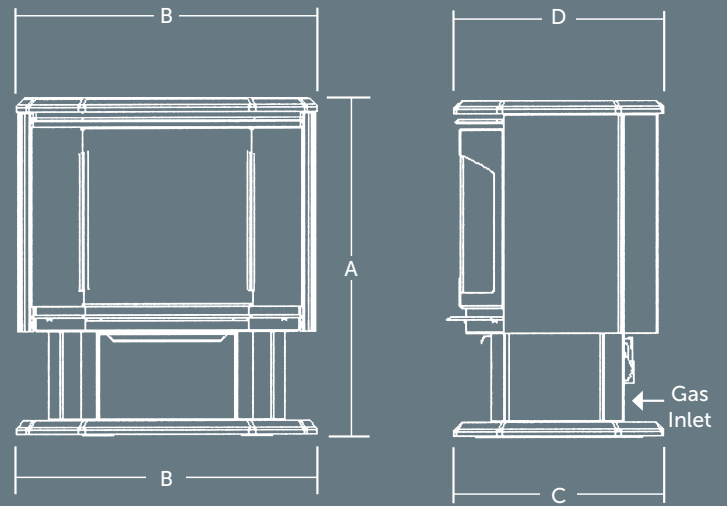


Fibre Oak Log Set



DIMENSIONS & SIZING

A	30 ³ / ₈ "
B	27 ⁵ / ₁₆ "
C	19 ¹ / ₁₆ "
D	19 ¹ / ₁₆ "



MINIMUM CLEARANCES TO COMBUSTIBLES

- 12" from side of unit
- 3" from back of unit
- 3" from side of unit in corner
- 41" from top of unit



GAS FIREPLACE INSERTS

Inserts are complete units that fit into existing wood burning fireplaces. They require no additions such as glass doors, and consist of a combustion chamber with gas logs. Inserts are available as a vented or direct vent appliance, and they utilize the existing chimney by using a flexible gas liner(s).



THE ULTIMATE IN DESIGN, ENGINEERING & QUALITY

Direct Vent

IDV33/IDV43 4.2

IDV26 4.6

Vented

VFI25 4.8



IDV33/IDV43

DIRECT VENT GAS FIREPLACE INSERT



THE ULTIMATE IN DESIGN, ENGINEERING & QUALITY

Model IDV33N Direct Vent Fireplace Insert – Natural Gas, LOGF35 Log Set – Fibre Split Oak, I33CV3BL Clean View Kit – Black.

Convert your wood burning fireplace to gas, for a new standard of warmth, beauty, safety and convenience.

STANDARD FEATURES

- Dual Burner with glowing embers
- Millivolt or IPI valve system allows operation during power failure with Hi-Low heat and flame adjustment
- Decorative Ash Bed
- Ceramic Glass
- On/Off Rocker switch
- Heat activated blower with variable speed control
- Bedroom and bed sitting room approval
- Mobile home, bedroom and bed sitting room approval
- Safety Screen Barrier

OPTIONAL FEATURES

Clean View Kit

Black (I33CV/I43CV1 Pewter and Copper Vein available)

Front Frame

Required for CV5 Cleanview

Surrounds for Clean View

Black (I33SR2/I43S4432 Pewter and Copper Vein available)

Surround Picture Frame for Clean View

Black

Louver Kit

Black Grills

Surrounds for Louver Kit

Black

Porcelain Reflective Liner

Brick Liner

Traditional and Herringbone (IDV43 only)

Log Set

Fibre Split Oak

Glass Tray

Ember Glass (Bronze)

Wall Mount Thermostat

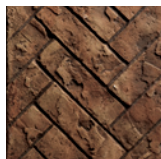
Standard On/Off or Programmable

Remote Control

On/Off, Thermostat On/Off, Thermostat On/Off modulating



Traditional
Brick Liner RLT



Herringbone
Brick Liner RLH



Safety Screen Barrier



*Components may have to be ordered separately to create a complete unit. Discuss with your local Kingsman dealer for clarification.

Kingsman Fireplaces maintains a program of continuous testing, refinement and improvements of all its products. Some aspect of units shown here may be changed at any time without notice or obligation.



IDV33/43

DIRECT VENT GAS FIREPLACE INSERT



THE ULTIMATE IN DESIGN, ENGINEERING & QUALITY

Model IDV43N Direct Vent Insert – Natural Gas, I43CV1BL Clean View – Black, RSP10 Glass Tray Support with Bronze Glass, IDV36PRL Porcelain Reflective Liner.

Model	IDV33N / IDV33NE	IDV33LP / IDV33LPE	IDV43N / IDV43NE	IDV43LP / IDV43LPE
Fuel	NATURAL	PROPANE	NATURAL	PROPANE
Input Max.	31,000 BTU	28,500 BTU	34,250 BTU	30,000 BTU
Input Min.	20,900 BTU	23,100 BTU	24,000 BTU	22,840 BTU
FE (P.4.1-15)	50.43% / 51.74%	56.26% / 58.34%	60.18% / 61.7%	60.2% / 61.85%
Flue Sizes	3/3"	3/3"	4/3"	4/3"



MINIMUM FIREPLACE OPENING (IN.)

Model	Width	Height	Depth	Model	Width	Height	Depth
IDV33	26 1/4"	21 3/8"	14 3/8"	IDV43	30 3/4"	25 5/8"	14 3/4"

LOUVER KIT AND SURROUND SIZES (IN.)

IDV33	Width	Height	IDV43	Width	Height
I33LK (Louver Kit)	34 1/2"	24 3/8"	I43LK (Louver Kit)	39"	28 3/4"
I33S3426 (Surround)	34 1/2"	26 1/2"	I43LKS1BL	39"	31 3/4"
I33S4028 (Surround)	40"	28 1/8"	I43LKS2BL	44"	32 3/8"
I33S4430 (Surround)	44"	30 5/8"	I43US4736BL	47"	36"
I33S4535 (Surround)	45"	35"			

CLEAN VIEW AND SURROUND SIZES (IN.)

Minimum Fireplace Opening: 26 3/8" W x 21 3/8" H x 14 3/8" D

IDV33 INSERT	Width	Height	Depth
I33CV (Clean View)**	33 3/8"	23" / 24 5/16"	2 1/2"
I33CV3 (Clean View)**	33 3/8"	23 1/8" / 24 5/16"	4 1/8"
I33SR2 (Surround)	39"	27"	5/8"
I33SRP3 (Surround Picture Frame)	41"	31"	5/8"
I33USR4 (Surround Universal)	45"	35"	1 1/16"
I33CV5 (Clean View)	37 1/8"	25 1/4"	2 5/16"
I33BT1 (Back Trim Surround)*	39"	26"	1 1/4"
I33USR4 (Surround Universal)	45"	35"	1 1/16"
I33CVPF5 (Clean View Picture Frame)	37 1/8"	25 1/4"	2 5/16"
I33BTPF (Back Trim Surround)*	41"	31"	1 1/4"

* Back Trim Surround required if the fireplace opening is smaller than 29 3/8" W x 22 3/8" H x 16 1/8" D.
 Note: When Using I33CV5/I33CVPF5 Clean View a Door Frame is Required.

**CV and CV3 have a tapered profile.

Minimum Fireplace Opening: 29 3/8" W x 22 3/8" H x 16 1/8" D

IDV33 INSERT	Width	Height	Depth
I33CV5 (Clean View)	37 1/8"	25 1/4"	2 5/16"
I33SR2 (Surround)	39"	27"	5/8"
I33USR4 (Surround Universal)	45"	34"	1 1/16"
I33CVPF5 (Clean View Picture Frame)	37 1/8"	25 1/4"	2 1/4"
I33SRP3 (Surround Picture Frame)	41"	31"	5/8"

Note: When Using I33CV5/I33CVPF5 Clean View a Door Frame is Required.

Minimum Fireplace Opening: 30 3/4" W x 25 5/8" H x 14 3/4" D

IDV43 INSERT	Width	Height	Depth
I43CV1 (Clean View)**	37 1/2"	27 1/4" / 28 3/4"	2 1/2"
I43CV3 (Clean View)**	37 3/4"	27 3/8" / 28 3/4"	4 1/8"
I43S4432 (Surround)	44"	32"	5/8"
I43US4736 (Surround Universal)	47"	36"	1 1/16"
I43SPF1 (Surround Picture Frame)	43 1/2"	33 3/8"	1/2"
I43CV5 (Clean View)	41 3/16"	29 1/16"	2 5/16"
I43BT4230 (Back Trim Surround)*	42"	30"	1 1/4"
I43BT4432 (Back Trim Surround)*	44"	32"	1 1/4"
I43US4736 (Surround Universal)	47"	36"	1 1/16"

* Back Trim Surround required if the fireplace opening is smaller than 33 1/2" W x 26 5/8" H x 16 5/8" D.
 Note: When Using I43CV5/I43CVPF5 Clean View a Door Frame is Required.

**CV1 and CV3 have a tapered profile.

Minimum Fireplace Opening: 33 1/2" W x 26 5/8" H x 16 5/8" D

IDV43 INSERT	Width	Height	Depth
I43CV5 (Clean View)	41 3/16"	29 1/16"	2 1/4"
I43S4432 (Surround)	44"	32"	5/8"
I43US4736 (Surround Universal)	47"	36"	1 1/16"

Note: When Using I43CV5 Clean View a Door Frame is Required.

1. Model IDV33LP Direct Vent Fireplace Insert – Propane, LOGF35 Split Fiber Oak Log Set, I33CVCV Clean View Kit – Copper Vein, I33SS1CV Surround for Clean View – Copper Vein, IDV33RL Refractory Brick Liner.
2. Model IDV33LP Direct Vent Fireplace Insert – Propane, LOGF35 Split Fiber Oak Log Set – I33CVPW Clean View Kit – Pewter, I33SS1PW Surround for Clean View – Pewter, IDV33RL Refractory Brick Liner.
3. Model IDV43N Direct Vent Insert – Natural Gas, I43LK Louver Kit, LOGF36 Log Set, IDV36RLT Refractory Brick Liner – Traditional.





IDV26

DIRECT VENT GAS FIREPLACE INSERT



THE ULTIMATE IN DESIGN, ENGINEERING & QUALITY

Model IDV26N Direct Vent Insert – Natural Gas, LOGF27 Log Set, I26CV3BL Clean View – Black, IDV26RL Brick Liner.

Model	IDV26N / IDV26NE	IDV26LP / IDV26LPE
Fuel	Natural	Propane
Input Max.	30,000 BTU	30,000 BTU
Input Min.	21,000 BTU	25,000 BTU
FE (P.4.1-15)	58.82% / 60.27%	58.82% / 60.27%

Convert your wood burning fireplace to gas, for a new standard of warmth, beauty, safety and convenience.

STANDARD FEATURES

- Dual Burner with glowing embers
- Hi/low Millivolt or IPI valve system, will operate during power failures
- Matchless Piezo Ignition
- Decorative Ash Bed
- Ceramic Glass (Heat Radiating)
- On/Off Rocker switch
- Heat activated blower with ariable speed control
- Safety Screen Barrier



Safety Screen Barrier

OPTIONAL FEATURES

- Log Set**
Fibre Split Oak
- Glass Tray with Bronze Glass**
- Clean View Kit**
Black
- Surrounds for Clean View**
Black
- Surround Picture Frame for Clean View**
Black
- Liners**
Porcelain Reflective Liner or Traditional Brick
- Wall Mount Thermostat**
Standard On/Off or Programmable
- Remote Control**
On/Off, Thermostat
On/Off, Thermostat
On/Off modulating



CLEAN VIEW AND SURROUND SIZES (IN.)

IDV26	Width	Height	Depth
I26CV1	35 ⁵ / ₈ "	22 ³ / ₄ "	1 ³ / ₄ "
I26CV2	44 ⁵ / ₈ "	26 ⁵ / ₈ "	1 ³ / ₄ "
I26CVPF1	35 ⁵ / ₈ "	25 ⁷ / ₈ "	1 ³ / ₄ "
I26CVPF2	44 ⁷ / ₈ "	33 ¹ / ₂ "	1 ³ / ₄ "
I26S1	42"	27 ¹ / ₂ "	
I26SU	47 ¹ / ₂ "	35 ⁵ / ₈ " / 28 ⁵ / ₈ "*	
I26SU	39 ³ / ₈ "	29 ³ / ₄ "	
I26CV3	35 ⁵ / ₈ "	22 ³ / ₄ "	3 ¹ / ₂ "

*Dimension as a three sided surround

MINIMUM FIREPLACE OPENING (IN.)

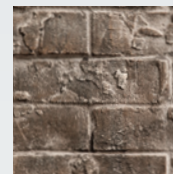
IDV26	Width	Height	Depth
IDV26	33" / 28"*	19 ¹ / ₂ "	14 ¹ / ₄ "

*Components In (CV1) 33", Components Out (CV2) 28"

MINIMUM UNIT COVERAGE – CLEAN VIEW

IDV26	Width	Height
I26CV1*	34 ¹ / ₂ "	22"
I26CV2*	41 ¹ / ₂ "	25 ¹ / ₂ "
I26CV3*	34"	22"
I26CVPF1*	34 ¹ / ₂ "	25"
I26CVPF2*	41 ¹ / ₂ "	32 ³ / ₈ "
I26CV1DS*	34 ¹ / ₂ "	22"

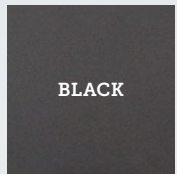
*Back Frame Dimension of Clean View Kit



IDV26RL Traditional Brick Liner



LOGF27 Fibre Split Oak Logo Set



BLACK



1.



2.



3.



4.

1. IDV26N Direct Vent Insert – Natural Gas, LOGF27 Log Set, I26CVPF2BL Clean View Picture Frame – Black, IDV26RL Refractory Brick Liner.
2. IDV26N Direct Vent Insert – Natural Gas, I26CV2BL Clean View Kit – Black, LOGF27 Log Set, IDV26RL Refractory Brick Liner.
3. IDV26N Direct Vent Insert – Natural Gas, I26CVPF1BL Clean View Picture Frame – Black, LOGF27 Log Set, IDV26PRL Porcelain Reflective Liner.
4. IDV26N Direct Vent Insert – Natural Gas, I26CV1BL Clean View Kit – Black, I26S1BL Surround – Black, LOGF27 Log Set, IDV26RL Refractory Brick Liner.



VFI25

VENTED GAS FIREPLACE INSERT



THE ULTIMATE IN DESIGN, ENGINEERING & QUALITY

Model VFI25N Vented Fireplace Insert – Natural Gas, V25S2640B Surround Deluxe – Black V25T2640B Trim Black, V2R2640 Riser for Deluxe Surround VI20GBL Grills – Black and LOGC6 Log Set – Five Piece Cast Split Oak with Glowing Ember Chunks.

Model	VFI25N / VFI25LP
Hi/Lo Fire Control	Yes
Input Max. (NG)	25,000 – 17,000 BTU
Input Max. (LP)	25,000 – 17,000 BTU
Venting	4"
FE (P.4.1-15)	44.58%

The Ultimate in Vented Fireplace Inserts, convert your wood burning fireplace to gas.

STANDARD FEATURES

- Millivolt valve system allows operation during a power failure with Hi/low heat and flame adjustment
- Blower with a thermostat controlled On/Off including variable speed control is standard on all models
- Spill Safety Switch – in case of a blocked flue or downdraft, it will shut down the unit
- Dual burner system with glowing embers
- Bedroom and Bed Sitting Room approved
- Safety Screen Barrier



Safety Screen Barrier

OPTIONS

Log Sets

LOGC6 Five Piece Cast Split Oak Log Set with glowing ember chunks, or LOGC5 Four Piece Cast Split Oak

Grills

Available in Black

Surrounds Deluxe (3 piece)

Black with Black trim

Risers for Deluxe Surrounds

Increases height coverage by 2 1/2"

Thermostat

Wall Mount Millivolt Thermostat or Programmable Thermostat



Remote Control

On/Off, Thermostat On/Off, Thermostat On/Off modulating, Thermostat On/Off modulating



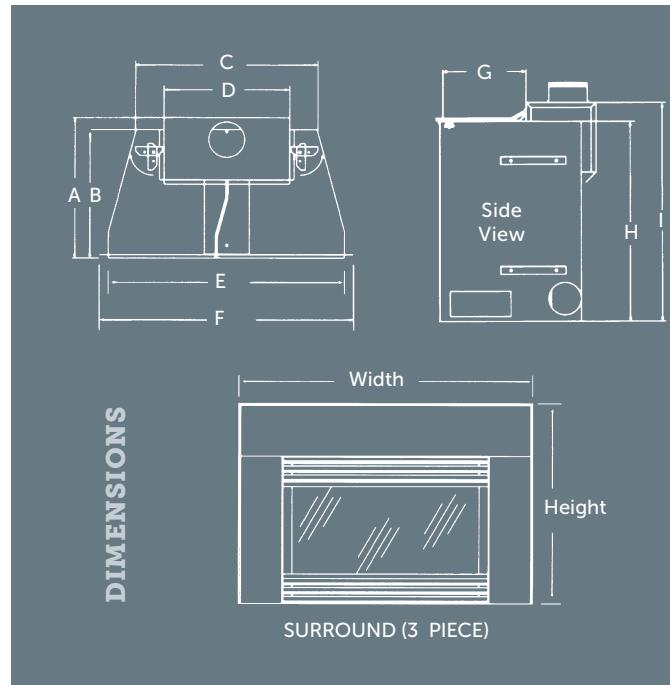
LOGC5 Split Cast Log Set

Model VFI25N Vented Fireplace Insert – Natural Gas, with V25S2640B Surround Deluxe – Black V25T2640B Trim Black, V2R2640 Riser for Deluxe Surround V120GBL Grills – Black and LOGC5 Log Set – Four Piece Split Oak Set.

INSERT DIMENSIONS

VFI25

A 15 1/2"	D 14"	G 8 1/4"
B 14"	E 24 1/4"	H 16 3/4"
C 20 1/2"	F 26 1/4"	I 19"



3 PIECE SURROUND DIMENSIONS (IN.)

Models	Height	Width	Part#
DELUXE			
VFI25	24 13/16"	36 13/16"	V25S2436B

DELUXE LARGE			
VFI25	26 13/16"	40 3/16"	V25S2640B

MINIMUM SIZE FOR INSTALLATION (IN.)

Models	Front Width	Rear Width	Height	Depth
VFI25	24"	20 1/2"	17 1/2"	16"



*Components may have to be ordered separately to create a complete unit. Discuss with your local Kingsman dealer for clarification. Kingsman Fireplaces maintains a program of continuous testing, refinement and improvements of all its products. Some aspect of units shown here may be changed at any time without notice or obligation.



OUTDOOR LIVING

Spend more time outdoors around the comfort and beauty of a Kingsman fireplace or fire pit.

Add to the enjoyment of your outdoor spaces with an outdoor fire pit or fireplace from Kingsman. A unique focal point for any deck or patio, our gas fire pits and fireplaces create instant ambiance and a natural gathering place for friends and family.



THE ULTIMATE IN DESIGN, ENGINEERING & QUALITY

Outdoor Gas Fireplaces

OFP42	5.2
-------	-----

Outdoor Fire Pits

FP2085/2785	5.4
-------------	-----



OFP42

ZERO CLEARANCE OUTDOOR GAS FIREPLACE



THE ULTIMATE IN DESIGN, ENGINEERING & QUALITY

OFP42NS Outdoor Fireplace in Stainless Steel – Natural Gas, LOGF37 Split Oak Log Set, OFP42RLH Herringbone Brick Liner.

TWO FIREPLACE CHOICES AND NO VENTING REQUIRED

Model	OFP42N OFP42NS	OFP42LP OFP42LPS
Fuel	Natural	Propane
Input Max.	55,000 BTU	55,000 BTU
Input Min.	38,000 BTU	44,000 BTU

- Satin Coat with a Black Paint Finish and stainless steel pull screen. A great alternative when covering the front face with brick or other non combustible materials. (Satin coat steel is pretreated with a zinc coating for corrosion resistance and paint adhesion.)
- Stainless steel firebox, front and pull screens. Stainless steel provides a clean, contemporary and weather-resistant finish so that you can enjoy your fireplace for years to come.

STANDARD FEATURES*

- Hi/lo Millivolt valve with variable adjustment of flame and BTU
- A flame sensor that constantly monitors the pilot flame and provides 100% gas shut off if pilot is not sensed
- Stainless steel pull screen
- Lava Rock

OPTIONAL FEATURES

Surround

Stainless Steel

Remote Control

On/Off



Log Set

LOGF37 Log Set – Five Pieces

Weather Cover

Stainless Steel or Black

Spark Assist

Battery Operated Pilot Burner Ignitor

Refractory Liner

Traditional or Herringbone

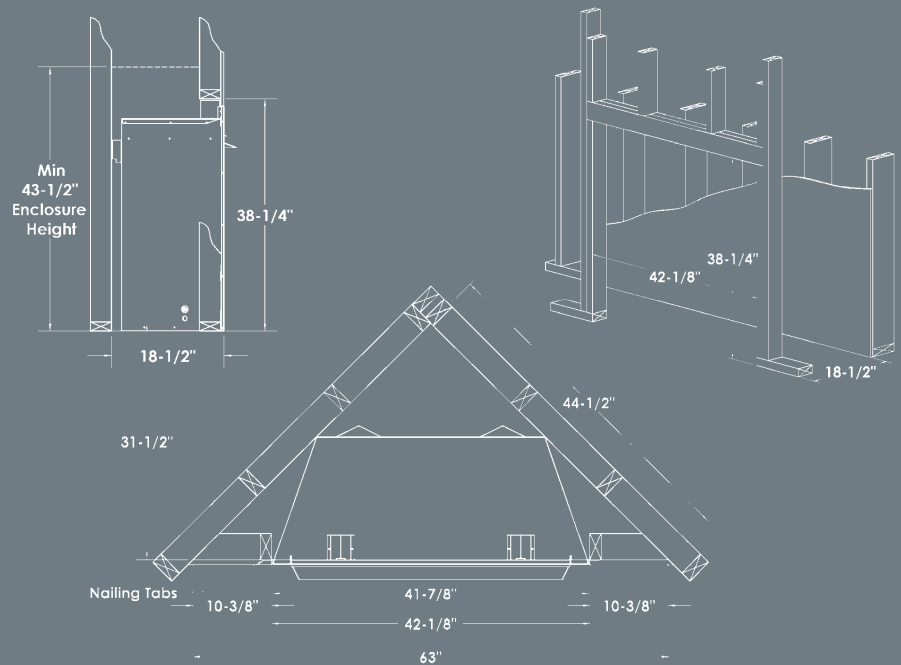


SCREENED PORCH INSTALLATION GUIDELINES

- Porch Area - 96 sq. ft
- Ceiling Height - 92"
- A minimum of two walls can be screened but must be open to outside ventilation
 - Minimum Screen Height - 78"
 - Screen Area - 64 sq. ft

Refer to installation manual for additional details of framing specifications and clearances

UNIT AND FRAMING SPECIFICATIONS (IN.)



Model OFP42N Outdoor Fireplace – Natural Gas, LOGF37 Split Oak Log Set, OFP42RLT Traditional Brick Liner.



*Components may have to be ordered separately to create a complete unit. Discuss with your local Kingsman dealer for clarification. Kingsman Fireplaces maintains a program of continuous testing, refinement and improvements of all its products. Some aspect of units shown here may be changed at any time without notice or obligation.



FP2085/2785

OUTDOOR FIRE PITS



THE ULTIMATE IN DESIGN, ENGINEERING & QUALITY

Model FP2085LP Round Fire Pit – Propane, FPB30SG Smooth Grey Concrete Fire Bowl.

Create your own design around your fire pit using non-combustible materials. Outdoor fire pits can be installed on top of wood decks or patios, 24" clearance to side walls. Allow 7 feet clearance from top of fire pit to any ceiling.



1.

MODEL FP2785 RECTANGULAR GAS FIRE PIT

Model:	FP2785N	FP2785LP
Fuel:	Natural	Propane
Input:	65,000 BTU	65,000 BTU
Size:	20" x 27"	20" x 27"
Height:	9"	9"
Cover:	Included	Included



2.



3.

1. FP2785LP shown with LOGC85.
2. FP2785LP shown with cover.
3. FP2785N Rectangle Fire Pit shown with Lava Rock.



Optional cover available.



Model FP2085LP Outdoor Fire Pit – Propane and FPB30SG – Smooth Grey Concrete Fire Bowl with FPB30TRG Trim Ring – Charcoal.

MODEL FP2085 ROUND GAS FIRE PIT

Model:	FP2085N	FP2085LP
Fuel:	Natural	Propane
Input:	65,000 BTU	65,000 BTU
Size:	20" Diameter	20" Diameter
Height:	4 1/2"	4 1/2"
Cover:	Optional	Optional



1.



2.



3.



4.

1. FP2085LP Fire Pit - Propane, LOGC85 Log Set and FP20SSR Stainless Steel Ring.
2. FP20COV Table Top Cover for Round Fire Pit.
3. FPB30TB Textured Charcoal Concrete Fire Bowl and FP2085LP Round Fire Pit Propane.
4. FP2085N Round Fire Pit shown with Lava Rock.



*Components may have to be ordered separately to create a complete unit. Discuss with your local Kingsman dealer for clarification. Kingsman Fireplaces maintains a program of continuous testing, refinement and improvements of all its products. Some aspect of units shown here may be changed at any time without notice or obligation.



VENT-FREE GAS FIREPLACES

Warm up your favorite room with the beauty of a Kingsman Gas Fireplace. Available in natural gas and propane, Kingsman quality fireplaces let you enjoy the beauty of glowing embers and dancing flames.

Create an elegant and warm focal point in your home. Choose from a variety of decorative options, including log sets, to create your own distinctive appearance and be assured of complete safety, comfort and long lasting value from a manufacturer of wood and gas fireplaces with more than 40 years of experience.



THE ULTIMATE IN DESIGN, ENGINEERING & QUALITY

Vent-Free

ZVF24	6.2
ZVF33	6.4
ZVFCV39/42/47	6.6

Vent-Free Multi-sided

MVF40	6.8
-------	-----



ZVF24

ZERO CLEARANCE VENT-FREE GAS FIREPLACE



THE ULTIMATE IN DESIGN, ENGINEERING & QUALITY

Model ZVF24 Zero Clearance Vent-free Firebox, ZVFB2426MVN Vent-free Burner System Millivolt Natural Gas, LOGF10 Log Set – Fibre Split Oak, ZVF24DDA1BL Designer Door Arch, ZVF24RLT Brick Liner – Traditional

Model	*ZVFB2410MVN	*ZVFB2410MVP	ZVFB2426MVN	ZVFB2426MVP
Fuel	Natural	Propane	Natural	Propane
Input Max.	10,000 BTU	10,000 BTU	25,250 BTU	24,250 BTU
Input Min.	-	-	17,500 BTU	19,000 BTU
Gas Control	Millivolt	Millivolt	Millivolt	Millivolt

* This burner is approved for bedroom installation, unless stated otherwise. Check with your local jurisdiction before installing in a bedroom.

STANDARD FEATURES

- Millivolt Valve System
- An ODS sensor that constantly monitors the room air and provides 100% gas shut off if oxygen is reduced below acceptable levels
- Black Canopy Hood
- Pull Screen
- Matchless Piezo Ignition
- On/Off Rocker Switch
- Decorative Ash Bed

OPTIONAL FEATURES

Fan Kit

Heat activated with variable speed control

Black Arch Doors

Deluxe, Double Door, and Designer Arch Door

Designer Picture Frame Surround

Black, Silver Vein, Pewter, Copper Vein
Coverage – 25" w x 29" h

Brick Refractory Liner

Traditional, Herringbone

Wall Mount Thermostat

Standard On/Off or Programmable
5 day (weekday) and 2 day (weekend)

Remote Control

On/Off, Thermostat on/off,
Thermostat On/Off modulating,



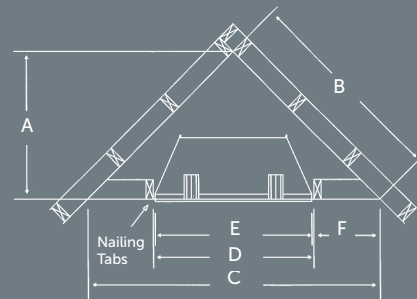
Traditional
Brick Liner RLT



Herringbone
Brick Liner RLH

UNIT AND FRAMING SPECIFICATIONS (IN.)

Model	Height Actual	Height Framing	Width Actual	Width Framing	Depth Actual	Depth Framing
ZVF24	29 ^{15/16"}	30"	24"	24 ^{3/8"}	13 ^{1/16"}	12 ^{3/4"}



CORNER FRAMING DIMENSIONS

ZVF24

A	20 ^{1/2"}
B	29"
C	41 ^{1/16"}
D	24 ^{3/8"}
E	24"
F	8 ^{3/8"}



LOGF10 Log Set Cabinet Oak – Stained Cherry

Model ZVF24 Vent-Free Firebox with ZVFB2426MVN Vent-Free Burner System - Natural Gas LOGF10 Log Set, ZVF24RLT Brick Liner - Traditional, ZVF24SDBL Designer Surround Black.



LOGF10 Log Set Cabinet Painted White

Model ZVF24 Vent-Free Firebox with ZVFB2426MVN Vent-Free Burner System - Natural Gas LOGF10 Log Set, ZVF24RLT Brick Liner - Traditional, ZVF24SDBL Designer Surround Black, ZVF24ADDD Arch Door, Double Door.



*Components may have to be ordered separately to create a complete unit. Discuss with your local Kingsman dealer for clarification.

Kingsman Fireplaces maintains a program of continuous testing, refinement and improvements of all its products. Some aspect of units shown here may be changed at any time without notice or obligation.



ZVF33

ZERO CLEARANCE VENT FREE GAS FIREPLACE



THE ULTIMATE IN DESIGN, ENGINEERING & QUALITY

Model ZVF33P Zero Clearance Vent Free Fireplace, ZVFB3330MVN Vent Free Millivolt Natural Gas Burner System, LOGF24 Fibre Split Oak Log Set, VI30GBL Grill Kit – Black.

ZVF33	FUEL	GAS CONTROL	MAX.	LOW
ZVFB3330MAN	Natural	Manual	30,000	13,000
ZVFB3330MAP	Propane	Manual	30,000	22,000
ZVFB3330MVN	Natural	Millivolt	30,000	13,000
ZVFB3330MVP	Propane	Millivolt	30,000	22,000

STANDARD FEATURES

- Hi/low Millivolt or manual valve with variable adjustment of flame and BTU
- An ODS sensor that constantly monitors the room air and provides 100% gas shut off if oxygen is reduced below acceptable levels
- Black Canopy Hood
- Matchless Piezo Ignition
- Pull Screen
- Decorative Ash Bed
- Wall Switch Control (for Millivolt Systems Only)

OPTIONAL FEATURES

Fan Kit

Heat activated blower with variable speed control

Grills

Black

Surrounds Wide

Black

Coverage:

- 31 3/16" h x 36 5/8" w

Thermostat (Millivolt)

Wall Mount Millivolt Thermostat or Programmable Thermostat

Remote Control (Millivolt)

On/Off, Thermostat or Hi/Lo On/Off

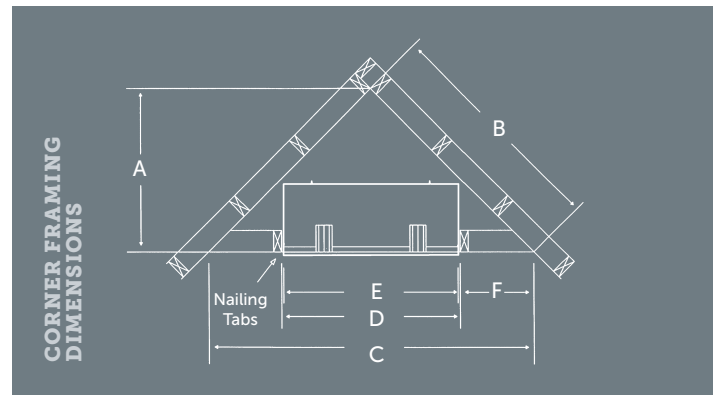
Log Sets

LOGF18 and LOGF24



CORNER FRAMING DIMENSIONS (IN.)

	A	B	C	D	E	F
ZVF33	30 3/8"	42 7/8"	60 5/8"	33 1/8"	32 1/2"	13 9/16"



VENT-FREE FIREBOX UNIT AND FRAMING SPECIFICATIONS (IN.)

Top Flue Models	Height Actual	Height Framing	Width Actual	Width Framing	Depth Actual	Depth Framing
ZVF33	30 1/2"	31"	32 1/2"	33 1/8"	14"	14"

The ultimate in Zero Clearance Vent-Free Fireplaces for new home construction or renovation, and your best choice for installation anywhere throughout your home.



LOGF18 Log Set



LOGF24 Log Set



*Components may have to be ordered separately to create a complete unit. Discuss with your local Kingsman dealer for clarification.

Kingsman Fireplaces maintains a program of continuous testing, refinement and improvements of all its products. Some aspect of units shown here may be changed at any time without notice or obligation.



ZVFCV39/42/47

ZERO CLEARANCE UNIVERSAL VENT FREE GAS FIREPLACE



THE ULTIMATE IN DESIGN, ENGINEERING & QUALITY

Model ZVFCV42 Zero Clearance Universal Vent Free Fire Place, GLVF24MVN Vent Free Millivolt Natural Gas Burner, LOGF24 Fibre Split Oak Log Set, ZCV42RLH Herringbone Brick Liner.

Model:	GLVF24MAN	GLVF24MAP	GLVF24MVN	GLVF24MVP
Fuel:	Natural	Propane	Natural	Propane
Gas Control:	Manual	Manual	Millivolt	Millivolt
Input Max:	38,250 BTU	38,000 BTU	38,250 BTU	38,000 BTU
Input Min:	25,500 BTU	29,000 BTU	25,500 BTU	29,000 BTU

STANDARD FEATURES

- Hi/low Millivolt or manual valve with variable adjustment of flame and BTU
- An ODS sensor that constantly monitors the room air and provides 100% gas shut off if oxygen is reduced below acceptable levels
- Black Canopy Hood
- Matchless Piezo Ignition
- Pull Screen
- Decorative Ash Bed
- Wall Switch Control (for Millivolt Systems Only)

OPTIONAL FEATURES

Fan Kit

Blower with variable speed control

Surrounds

- ZCV39S1BL – Hearth Mount 4" Wide
Coverage: 40 5/8" W x 35" H
- ZCV39S1PFBL – Picture Frame 4" Wide
Coverage: 40 5/8" W x 37" H
- ZCV39S2PFBL – Surround - Picture Frame 1 5/8" Wide
Coverage: 36 1/8" W x 32 1/2" H
- ZCV42S1BL – Hearth Mount 4" Wide
Coverage: 44 5/8" W x 38 1/8" H
- ZCV42S1PFBL – Picture Frame 4" Wide
Coverage: 44 5/8" W x 40 1/8" H
- ZCV42S2PFBL – Surround - Picture Frame 1 5/8" Wide
Coverage: 40 1/8" W x 35 5/8" H
- ZCV47S1BL – Hearth Mount 4"
Coverage: 50 9/16" W x 43 3/16" H

Thermostat (Millivolt)

Wall Mount Millivolt Thermostat or Programmable Thermostat

Remote Control (Millivolt)

On/Off, Thermostat On/Off, Thermostat On/Off modulating, Thermostat On/Off modulating and fan control

Brick Liners

ZVFCV39/42 Brick Options

Refractory Fiber Brick Liner (3 PCE) – Traditional, Herringbone, Red Herringbone, Stacked Brick

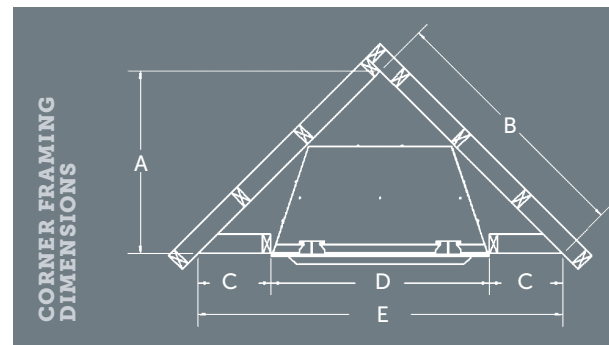
ZVFCV47 Brick Options

Traditional and Herringbone



CORNER FRAMING DIMENSIONS (IN.)

	ZVFCV39	ZVFCV42	ZVFCV47
A	33"	34 3/4"	39 1/2"
B	46 5/8"	49 1/8"	55 13/16"
C	13 1/4"	13 1/2"	15 1/4"
D	39 1/2"	42 1/2"	48 1/2"
E	65 15/16"	69 7/16"	78 15/16"



UNIT AND FRAMING SPECIFICATIONS (IN.)

Models	Height Actual	Height Framing	Width Actual	Width Framing	Depth Actual	Depth Framing
ZVFCV39	37 1/4"	37 3/16"	39 3/8"	39 1/2"	20 3/16"	20 5/16"
ZVFCV42	40 5/16"	40 3/8"	42 7/16"	42 1/2"	20 3/16"	20 5/16"
ZVFCV47	45 3/8"	45 7/16"	48 3/8"	48 1/2"	22 1/2"	22 5/8"

FIREBOX SPECIFICATIONS (IN.)

Model	Firebox Height	Firebox Width (Front)	Firebox Width (Back)	Firebox Depth
ZVFCV39	26"	29 3/4"	22 1/2"	15 1/2"
ZVFCV42	29 1/8"	33 7/8"	26 7/8"	15 1/2"
ZVFCV47	34 1/8"	39 3/4"	29 3/4"	17 1/4"



LOGF18 Log Set



LOGF30 Log Set (For ZVFCV47 only)



MVF40

VENT-FREE MULTI-SIDED FIREPLACE



THE ULTIMATE IN DESIGN, ENGINEERING & QUALITY

Model MVF40 Vent Free Multi-Sided Fireplace, GLMVF40MVP Burner System – Liquid Propane, LOGC31 Split Oak Log Set, MVF40PK Peninsula Kit, MGPKBL Grill Kit Peninsula – Black.

Burner Model	GLMVF40MVN	GLMVF40MVN
Fuel	Natural	Propane
BTU Input	25,900-38,200	24,200-30,500
Type	Millivolt	Millivolt
Log Set	LOGC31	LOGC31

Create an elegant and warm focal point in your homewith the Ultimate in Zero Clearance Vent-Free Fireplaces for New Home Construction or Renovation.

STANDARD FEATURES

- Matchless Pieso Ignition
- ODS Safety Pilot
- Millivolt Control with Variable Flame and BTU Control
- Wall Switch Control
- Decorative Rock

OPTIONAL FEATURES

Grills

Black

Refractory Liner

End Panel, Side Panel

Surrounds Wide (for See-through only)

Black

Fan Kit

Thermostat (Millivolt)

Wall Mount Millivolt Thermostat or Programmable Thermostat



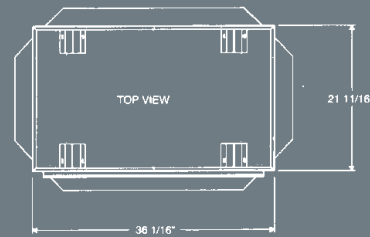
Remote Control (Millivolt)

On/Off, Thermostat On/Off, Thermostat On/Off modulating, Thermostat On/Off modulating and fan control

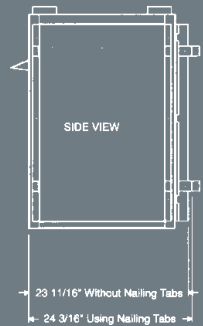
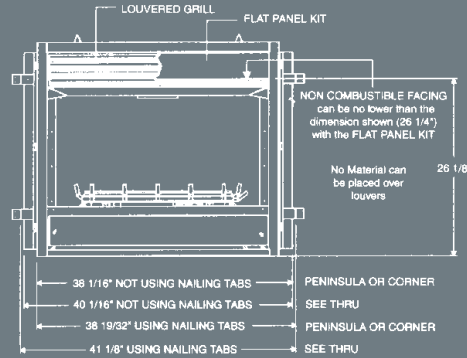
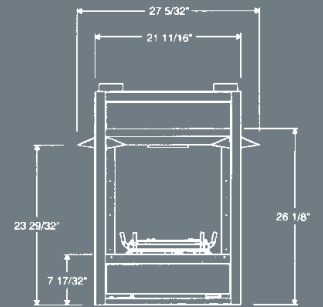
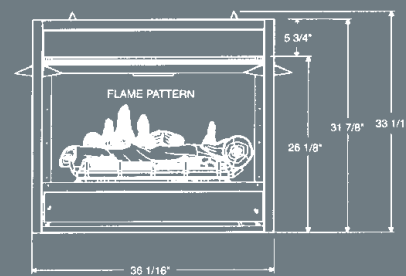
UNIT AND FRAMING SPECIFICATIONS (IN.)

Model	Height Framing	Width Framing	Depth Framing
PENINSULA	33 3/4"	20 5/8"	38 5/8" [1]
SEE-THRU	33 3/4"	20 5/8"	41 1/8" [2]
BAY PENINSULA	33 3/4"	23 11/16"	35 1/16" [3]
CORNER	33 3/4"	23 3/4"	38 5/8" [4]
ISLAND	See Manual		

1. MVF40 Fireplace, GLMVF40MVP Burner System, LOGC31 Split Oak Log Set, MVF40SK See-Through Kit, MGSKBL Grill Kit See Through – Black.
2. MVF40 Fireplace, GLMVF40MVP Burner System, LOGC31 Split Oak Log Set, MVF40CK Corner Kit, MGCKBL Grill Kit Corner – Black.



- [1] Using Nailing Tabs with 1/2" Facing, Otherwise 37 9/16"
- [2] Using Nailing Tabs, Otherwise 40 1/16"
- [3] Using Nailing Tabs with 1/2" Facing, Otherwise 13 1/8"
- [4] Using Nailing Tabs with 1/2" Facing, Otherwise 37 9/16"



*Components may have to be ordered separately to create a complete unit. Discuss with your local Kingsman dealer for clarification. Kingsman Fireplaces maintains a program of continuous testing, refinement and improvements of all its products. Some aspect of units shown here may be changed at any time without notice or obligation.



GAS LOG SETS & BRICK OPTIONS

Enjoy the elegance and warmth of glowing embers and dancing flames around our oak log set. It is sure to be the focal point of your home.

Logs are available for vented or vent-free applications in propane or natural gas. They can be installed in universal fireboxes (vent free only), masonry fireplaces and zero clearance wood burning fireplaces. Kingsman offers a variety of styles with different features and benefits.

You can also change up the look of your Kingsman Fireplace with your choice of brick liners. From traditional, herringbone, or stacked brick panels, you can customize any unit to suit your personal style.



THE ULTIMATE IN DESIGN, ENGINEERING & QUALITY

**Gas Log Sets
– Vented/Vent-Free**

GLVF24/40 7.2

VB18/VB24 7.4

Brick Liners 7.6



GLVF24/40 LOG SETS

VENT/VENT-FREE GAS LOG SETS



STANDARD FEATURES

- Matchless Piezo Ignition
- ODS Safety Pilot
- Variable Flame and BTU Control
- Wall Switch Control (Millivolt Only)
- Decorative Rock

OPTIONAL FEATURES

- Remote Control (Millivolt Only)
- Millivolt or Manual Valve System

Enjoy the elegance and warmth of dancing flames around our oak log set. It is sure to be the focal point of your home. Choose from a variety of decorative options to create your own distinctive appearance and be assured of complete safety, comfort and long lasting value from a manufacturer of wood and gas fireplaces with over 40 years of experience.

1. LOGF18 LOG SET
Gas Burner – GLVF24MAN

2. LOGF24 LOG SET
Gas Burner – GLVF24MVN

3. LOGF30 LOG SET
Gas Burner – GLVF24MVN

4. LOGC31 LOG SET – SEE THROUGH
Gas Burner – GLMVF40MVN



THE ULTIMATE IN DESIGN, ENGINEERING & QUALITY

YOUR BEST CHOICE FOR CONVERTING YOUR WOOD BURNING FIREPLACE TO GAS.



VENTED/VENT-FREE GAS LOG SETS

BURNER MODEL	LOG SET	TYPE	FUEL TYPE	BTU INPUT
GLVF24MAN	18"/24"/30"	Manual	Natural	25,500 - 38,250
GLVF24MAP	18"/24"/30"	Manual	Propane	29,000 - 38,000
GLVF24MVN	18"/24"/30"	Millivolt	Natural	25,500 - 38,250
GLVF24MVP	18"/24"/30"	Millivolt	Propane	29,000 - 38,000
*GLMVF40MVN	LOGC31	Millivolt	Natural	25,900 - 38,200
*GLMVF40MVP	LOGC31	Millivolt	Propane	24,000 - 30,500

The GLVF24 Burner may be used in the ZVF36U, ZVF42U or ZCVF39/42/47 Universal Vent-Free Firebox

MINIMUM FIREPLACE DIMENSIONS

	BACK WIDTH	FRONT WIDTH	DEPTH	HEIGHT
LOGF18	19"	19"	12 ¹ / ₂ "	18 ³ / ₄ "
LOGF24	22 ¹ / ₂ "	29"	12 ¹ / ₂ "	18 ³ / ₄ "
LOGF30	28"	38"	13 ¹ / ₂ "	18 ³ / ₄ "
*LOGC31	34"	34"	19 ¹ / ₂ "	19 ¹ / ₂ "

*The GLMVF40 Series can be viewed from all sides, great as a see-thru, corner, peninsula or island unit.



*Components may have to be ordered separately to create a complete unit. Discuss with your local Kingsman dealer for clarification.

Kingsman Fireplaces maintains a program of continuous testing, refinement and improvements of all its products. Some aspect of units shown here may be changed at any time without notice or obligation.



LOG SETS

VENTED GAS LOG SETS



VGB18 / VLOG18
Grate Burner



VSB18 / VLOG18
Ash Bed Burner



VGB24 / VLOG24
Grate Burner



VSB24 / VLOG24
Ash Bed Burner



VGB24 / VLOG30
Grate Burner



VSB24 / VLOG30
Ash Bed Burner



THE ULTIMATE IN DESIGN, ENGINEERING & QUALITY

18" BURNER

Model	VGB18N	VGB18LP
	VSB18N	VSB18LP
Fuel	Natural	Propane
Input BTU	30,500-48,500	38,000-47,000
Log Size	18"- 24"	18"- 24"

24" BURNER

Model	VGB24N	VGB24LP
	VSB24N	VSB24LP
Fuel	Natural	Propane
Input BTU	46,000-73,000	68,000-86,000
Log Size	24"- 30"	24"- 30"

STANDARD FEATURES*

- Enhancing Ember Bed Burner
- Matchless Piezo Ignition
- Variable Flame and BTU Control
- On/Off Rocker Switch
- Decorative Rock and Glowing Ember Kit
- Millivolt Valve system with adjustable flame height

OPTIONAL FEATURES

Remote Control

Ember Log Bit Kit

6 piece or 4 piece

VLOG18 Split Oak 18"

VLOG24 Reversible Charred Split or Barked Oak 24"

VLOG30 Reversible Charred Split or Barked Oak 30"

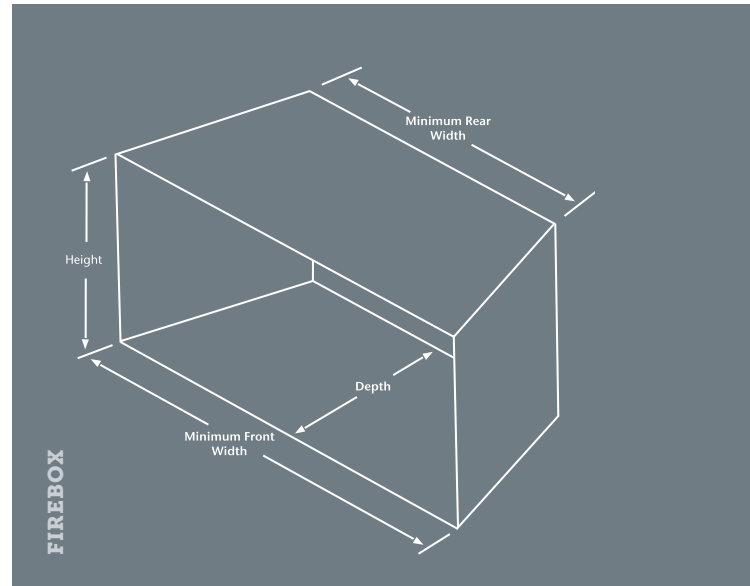
LOG SET ENHANCEMENTS



VLBIT6



VLBIT4



BURNER & LOG SET	Front Width (min.)	Rear Width (min.)	Depth	Height
18" Burner x 18" Log Set	25"	18"	15"	18"
18" Burner x 24" Log Set	29"	21"	15"	18"
24" Burner x 24" Log Set	34"	24"	16"	18"
24" Burner x 30" Log Set	36"	26"	17"	18"

Note: Flame appearance and flame height will vary with specific installations.



*Components may have to be ordered separately to create a complete unit. Discuss with your local Kingsman dealer for clarification.

Kingsman Fireplaces maintains a program of continuous testing, refinement and improvements of all its products. Some aspect of units shown here may be changed at any time without notice or obligation.



BRICK LINER OPTIONS



THE ULTIMATE IN DESIGN, ENGINEERING & QUALITY

Model HBZDV4736N Zero Clearance Direct Vent Natural Gas Fireplace, with LOGF36 Log Set, HB47CVCK Designer Clean View Circulating Kit, and Optional HB47RRH Red Herringbone Brick Liner.



**Traditional
Brick Liner RLT**



**Herringbone
Brick Liner RLH**



**Red Herringbone
Brick Liner RRH**



**Stacked
Brick Liner RLS**

MODELS	Traditional Brick Liner RLT	Herringbone Brick Liner RLH	Red Herringbone Brick Liner RRH	Stacked Brick Liner RLS
ZERO CLEARANCE FIREPLACES				
MDV31	MDV38RLE/MDV38RLS			
HBZDV3624/28, HBZDV4224/28	HB36/42/47RLT	HB36/42/47RLH	HB36/42/47RRH	
HBZDV4736	HBZDV4736RLT	HBZDV4736RLH	HBZDV4736RRH	
ZCV39/ZCV42	ZCV39/42RLT	ZCV39/42RLH	ZCV39/42RRH	ZCV39/42RLS
MCVP42	MCVP42RLT			
MCVST42	MCVST42RLT			
INSERTS				
IDV26	IDV26RLT			
IDV33	IDV33RL			
IDV43	IDV36RLT	IDV36RLH		
VENT FREE				
ZVFCV39/42/47	ZCV39/42/47RLT	ZCV39/42/47RLH	ZCV39/42RRH	ZCV39/42RLS/47RLS
ZVF24	ZVF24RLT	ZVF24RLH		



Model ZCV39NH Zero Clearance Direct Vent Gas Fireplace Natural Gas, LOGF3 Log Set – Five Piece, ZCV39RLH Refractory Brick Liner – Herringbone.



Model HBZDV4228N, HB42CVCK Designer Clean View Kit, LOGC43 Log Set, with optional HB42RLT Traditional Refractory Liner.



LIMITED LIFETIME WARRANTY

This Limited Lifetime Warranty applies only while the unit remains at the site of the original installation and only if the unit is installed inside the continental United States, Alaska, Hawaii, and Canada. The warranty applies only if the unit is installed and operated in accordance with the printed instructions and in compliance with applicable installation and building codes and good trade practices.

BASIC ONE YEAR WARRANTY

During the first year after installation, we will provide a replacement for any component part of your unit found to be defective in materials or workmanship, including labour costs. Repair work requires prior approval by Kingsman, labour costs are based on a predetermined rate schedule and any repair work must be done through an authorized Kingsman dealer. (Excluded Components: Accent Light Bulbs, Gasketing and Paint).

LIMITED LIFETIME WARRANTY

The heat exchanger, combustion chamber and burner of every Kingsman product excluding the Outdoor Firepit are warranted against materials or workmanship during the period the product is owned by the original owner. The part to be replaced must be returned to our distributor in exchange for the replacement part. Any labor, material, freight and/or handling charges associated with any repair or replacement pursuant to this Limited Lifetime Warranty will not be covered by this warranty.

GENERAL TERMS

In lieu of providing a replacement part, we may, at our option, provide the distributor's component purchase price from us or a credit equal to the distributor's component purchase price from us toward the purchase of any new unit which we distribute. If a credit is given in lieu of a replacement part, the rating plate from the unit being replaced must be submitted on a warranty claim, and the unit being replaced must be made available to our distributor for disposition.

In establishing the date of installation for any purpose, including determination of the starting date for the term of this Limited Lifetime Warranty, reasonable proof of the original installation date must be presented*, otherwise the effective date will be based upon the date of manufacture plus thirty (30) days.

We will not be responsible for and you, the user, will pay for: (a) damages caused by accident, abuse, negligence, misuse, riot, fire, flood, or Acts of God (b) damages caused by operating the unit where there is a corrosive atmosphere containing chlorine, fluorine, or any other damaging chemicals (other than in a normal residential environment) (c) damages caused by any unauthorized alteration or repair of the unit affecting its stability or performance (d) damages caused by improper matching or application of the unit or the unit's components (e) damages caused by failing to provide proper maintenance and service to the unit (f) any expenses incurred for erecting, disconnecting or dismantling the unit (g) parts or supplies used in connection with service or maintenance (h) damage repairs, inoperation or inefficiency resulting from faulty installation or application (i) electricity or fuel costs or any increase in electricity or fuel cost whatsoever including additional or unusual use of supplemental electric heat.

We shall not be liable for any incidental, consequential, or special damages or expenses in connection with any use or failure of this unit. We have not made and do not make any representation or warranty of fitness for a particular use or purpose, and there is no implied condition of fitness for a particular use or purpose. We make no express warranties except as stated in this Limited Lifetime Warranty. No one is authorized to change this Limited Lifetime Warranty or to create for us any other obligation or liability in connections with this unit. Any implied warranties shall last for one year after the original installation. Some states and provinces do not allow the exclusion or limitation of incidental or consequential damages or do not allow limitations on how long an implied warranty or condition lasts, so the above limitations or exclusions may not apply to you. The provisions of this limited warranty are in additions to and not a modification of or subtraction from any statutory warranties and other rights and remedies provided by law.

2340 Logan Avenue, Winnipeg, Manitoba, Canada R2R 2V3 P (204) 632-1962 F (204) 632-1960
www.kingsmanfireplaces.com



THE ULTIMATE IN DESIGN, ENGINEERING & QUALITY

Printed in Canada 04/18

Canada

ENERGUIDE

Look for the **EnerGuide**
Gas Fireplace Energy
Efficiency Rating in this brochure

Based on CSA P.4.1-15