

# Installation Instructions

## Model Number VRB46

### Zero Clearance Vented Gas Fireplace Heater

Stock #'s: VRB46N, VRB46NE, VRB46LP, VRB46LPE

Conforms to: ANSI Z21.88-2016 • CSA 2.33-2016

VENTED GAS FIREPLACE HEATER

#### WARNING:

##### FIRE OR EXPLOSION HAZARD

Failure to follow safety warnings exactly could result in serious injury, death, or property damage.

- Do not store or use gasoline or other flammable vapors and liquids in the vicinity of this or any other appliance.
- WHAT TO DO IF YOU SMELL GAS
  - Do not try to light any appliance.
  - Do not touch any electrical switch; do not use any phone in your building.
  - Leave the building immediately.
  - Immediately call your gas supplier from a neighbor's phone. Follow the gas supplier's instructions.
  - If you cannot reach your gas supplier, call the fire department.
- Installation and service must be performed by a qualified installer, service agency or the gas supplier.

This appliance may be installed in an aftermarket permanently located, manufactured home (USA only) or mobile home, where not prohibited by local codes. This appliance is only for use with the type of gas indicated on the rating plate. This appliance is not convertible for use with other gases, unless a certified kit is used.

**This Appliance Is Only Approved With Kingsman Flex Vent System, Except When Using The Power Venting Option.**

**INSTALLER: Leave this manual with the appliance.**

**CONSUMER: Retain this manual for future reference.**

 **DANGER**



**HOT GLASS WILL CAUSE BURNS.  
DO NOT TOUCH GLASS UNTIL COOLED.  
NEVER ALLOW CHILDREN TO TOUCH GLASS.**

A barrier designed to reduce the risk of burns from the hot viewing glass is provided with this appliance and shall be installed for the protection of children and other at-risk individuals.



A Division of R-Co. Inc.  
2340 Logan Avenue  
Winnipeg, Manitoba, Canada R2R 2V3  
Ph: (204) 632-1962

Printed in Canada December 15, 2017 Part # 46VRB-MAN16

Table of Contents..... 2-3  
 Pre-installation Questions and Answers..... 4  
 Operating Instructions..... 4  
 Warnings, Installations, and Operations..... 5-6  
 Mobile Home/Manufactured Housing Installation..... 7

**INSTALLATION**

Framing Your Gas Fireplace..... 8  
 Nailing Tab Guide..... 9  
 VRB46 -Facing Requirements- ALL UNITS- Chase Not Vented or Vented Chase..... 10  
 Facing Kit for VRB46- Z46PRO4..... 11  
 Locating your Appliance..... 12  
 Fireplace Dimensions..... 12  
 Unvented Chase VS Vented Chase- Choose Your Installation..... 13

**INSTALLATION - CHASE NOT VENTED**

Framing Dimensions -Chase Not Vented- Ventilation Plates In Place -As Shipped..... 14  
 Mantel Clearances –Chase Not Vented- Ventilation Plates In Place –As Shipped..... 15  
 Clearance to Combustibles –Chase Not Vented-Ventilation Plates in Place -As Shipped..... 16

**INSTALLATION – VENTED CHASE**

Vented Chase –Removal of Ventilation Plates- See Framing for Vented Chase..... 17  
 Vented Chase – Style 1 – Opening With No Grill..... 18-19  
 Vented Chase – Style 2 – Opening With Grill..... 20-21  
 Vented Chase -Style 2 – Opening With Grill - Kingsman V46EG..... 22  
 V46EG Grill Installation..... 23  
 Framing Dimensions –Vented Chase -Ventilation Plates Removed..... 24  
 Optional Recessed Cavity Dimensions..... 25  
 Mantel Clearances –Vented Chase -Ventilation Plates Removed..... 26  
 Clearance to Combustibles –Vented Chase -Ventilation Plates Removed..... 27

**COMPONENTS AND ACCESSORIES**

Surround Dimensions..... 28  
 Surround Clearances..... 28  
 Surround Installation..... 29  
 UHS Box..... 30  
 Component Locations..... 30  
 Fan Kit Installation..... 31  
 Split Receptacle- Fan Speed Control Outside of Fireplace..... 32  
 Door and Glass Information..... 33  
 Valve Access Cover Removal..... 34  
 Removable Lower Face Panel..... 34  
 ZRB46PL Liner Installation..... 35  
 VRB46PL Liner Installation..... 36  
 MQVRB46RLF Liner Installation..... 37  
 Child Safety Screen..... 38

**GAS LINE AND MAINTENANCE**

Gas Line Installation..... 39  
 Millivolt System, Lighting, & Burner Control..... 40  
 Trouble Shooting The Gas Control System..... 41

|   |       |
|---|-------|
| Burner System Maintenance.....                                | 42    |
| Gas Conversion Part A.....                                    | 43    |
| Gas Conversion Kit For Top Convertible Pilot PART B.....      | 44    |
| Gas Conversion for Modulator – PART C.....                    | 45    |
| Burner Tube Removal.....                                      | 46    |
| Burner System Removal/Installation Guide.....                 | 46    |
| <b>LOGS AND MEDIA</b>   |       |
| ULK2 Universal Light Kit (Optional Accent Lighting Kit).....  | 47-48 |
| RBCB1 -Cannonballs- Installation Instructions.....            | 49    |
| MQ Dealer Accessories for VRB46.....                          | 50-51 |
| MQRBD3 5 Piece Driftwood Log Set.....                         | 52    |
| <b>IPI ELECTRONIC IGNITION SYSTEM</b>                         |       |
| IPI Electronic Ignition System.....                           | 53    |
| Remote Control Operation.....                                 | 54    |
| IPI Electronic Ignition Parts List – Standard System.....     | 55    |
| Configuration #1: Basic System.....                           | 56    |
| Configuration #2: Remote On/Off.....                          | 57    |
| EGTM / GTM System -No Batteries.....                          | 58    |
| Configuration #3: Remote ON/OFF, variable HI/LO, and fan..... | 59    |
| IPI Lighting Instructions.....                                | 60    |
| Proflame 2 Basic System.....                                  | 61    |
| Proflame 2 GTMFL.....   | 62    |
| Proflame 2 Module.....  | 63    |
| Proflame 2 Remote Control.....                                | 64    |
| Proflame 2 Label Diagram.....                                 | 65    |
| <b>VENTING SECTION</b>  |       |
| Vent Termination.....   | 66    |
| General Vent Installation Information.....                    | 67    |
| Installation Of Side Wall Venting.....                        | 67    |
| Venting Table.....  | 68    |
| Horizontal Snorkel Terminations.....                          | 69    |
| Vertical Venting.....   | 70-71 |
| Glass Safety / Termination Cap Safety -All Units-.....        | 72    |
| Approved for Power Vent PVH58.....                            | 73    |
| <b>PARTS LISTS</b>  |       |
| PVH58 Parts List.....   | 74    |
| VRB46 Parts List.....   | 75-76 |
| <b>WARRANTY</b>   |       |
| Limited Lifetime Warranty.....                                | 77    |

## Pre-installation Questions and Answers

### About curing of the paint

Your stove or fireplace has been painted with the highest quality silicone stove paint. This paint dries quickly in 15-20 minutes when first applied at the factory. However, due to the high temperature silicone components, the paint will cure when heat is applied to the appliance as it is first used. The following information applies to the curing process to get the paint fully hard and durable.

Fire the appliance four successive times for 10 minutes each firing and a 5 minute cool down between each. Be aware during log and firebox paint curing that a white deposit may be developing on the inside of the glass doors. It is important to remove this white deposit from the glass doors using a fireplace glass cleaner.

- Babies, small children, pregnant women and pets should leave the area during the cure phase.
- Ventilate well, open doors and windows.
- Do not touch during curing.

### Why does my fireplace or stove give off odour?

It is normal for your fireplace to give off some odor at first. This is due to the curing of the paint, adhesives, silicones and any undetected oil from the manufacturing process as well as the finishing materials used with the installations (e.g. marble, tile and the adhesives used to adhere this product to the walls can react with heat and cause odours).

It is recommended that you burn your gas fireplace or stove for a minimum of four hours at a time with the fan off (if a fan is present) after the curing of the paint has been completed. These odours can last upward to 40 hours of burn time; keep burning at a minimum of four hours per use until odours dissipate.

### Noise coming from the fireplace?

Noise is caused by the expansion and contraction of metal as the appliance heats up and cools down. This is normal and is similar to the sounds produced by a furnace or heating duct. This noise does not affect the operation or longevity of your fireplace.

It is also normal for the fan to make some noise when it comes on. This noise can be reduced somewhat by turning down the speed of the fan with the variable speed control. Be aware, however, that this will reduce the volume of heated air circulated into the room by the fan.

### Note to the Installer:

Be sure appliance is working properly and its operation (including remote control operation, if included) is fully explained to and understood by the customer.

## Operating Instructions

1. Be sure to read and understand all the instructions in this manual before operation of appliance.
2. Ensure all wiring is correct and properly enclosed to prevent possible shock.
3. Check for gas leaks.
4. Make sure the glass door is properly installed before operation. Never operate the appliance with the glass door removed.
5. Make sure venting and termination cap are installed and unobstructed.
6. If brick or porcelain liners are used, ensure they are installed.
7. Verify that the pilot can be seen when lighting the appliance. If not, the log or rock placement is incorrect.
8. If the unit is turned off, you must wait a minimum of 60 seconds before re-lighting it.

# Warnings, Installations and Operations

## Installation Regulations

This gas appliance must be installed by a qualified installer in accordance with local building codes, or in the absence of local codes, with the current CAN/CSA-B149.1 or .2 Installation Code (in Canada) or the current National Fuel Gas Code Z223.1- NFPA 54 when installed in the United States.

This appliance, when installed, must be electrically connected and grounded in accordance with local codes, or in the absence of local codes, with the current CSA C22.1 Canadian Electrical Code or with the National Electrical Code; ANSI/NFPA 70 when installed in the United States.

In the U.S.A. Thermostats are not permitted for Vented Gas Fireplaces (ANSI Z21.50b-Decorative).

# WARNING

## FOR SAFE INSTALLATION AND OPERATION OF YOUR GAS FIREPLACE PLEASE NOTE THE FOLLOWING:

1. Do not clean when the glass is hot.
2. Do not use abrasive cleaners.
3. Using a substitute glass will void all product warranties.
4. For safe operation, glass doors must be closed.
5. When purging the gas line, the glass front must be removed.
6. Do not strike or abuse glass. Take care to avoid breakage.
7. Do not alter gas orifice.
8. No substitute materials may be used other than factory supplied components.
9. This appliance gives off high temperatures and should be located out of heavy traffic areas and away from furniture and draperies.
10. Children and adults should be alerted to the hazards of the high surface temperatures of this appliance and should stay away to avoid burns or ignition of clothing.
11. Young children should be carefully supervised when they are in the same room as the appliance. Toddlers, young children and others may be susceptible to accidental contact burns. A physical barrier is recommended if there are at risk individuals in the house. To restrict access to a fireplace or stove, install an adjustable safety gate to keep toddlers, young children and other at risk individuals out of the room and away from hot surfaces.
12. Under no circumstances should any solid fuels (wood, paper) be used in this appliance.
13. Under no circumstances should this appliance be modified. Any parts that have to be removed for servicing should be replaced prior to operating this appliance.
14. Any safety screen, guard, or barrier removed for servicing an appliance must be replaced prior to operating the appliance.
15. Installation and repair should be done by a qualified service person. The appliance should be inspected before use and at least annually by a professional service person. More frequent cleaning may be required due to excessive lint from carpeting, bedding material, et cetera. It is imperative that control compartments, burners and circulating air passageways of the appliance be kept clean. Make sure that the gas valve and pilot light are turned off before you attempt to clean this unit.
16. Clothing or other flammable material should not be placed on or near the appliance. This appliance should not be used as a drying rack for clothing nor should Christmas stockings or decorations be hung from it.
17. Do not use this heater if any part has been under water. Immediately call a qualified service technician to inspect the heater and to replace any part of the control system and any gas control which has been under water.
18. Do not operate appliance unless completely installed as per installation instructions.
19. Failure to position the parts in accordance with these diagrams or failure to use only parts specifically approved with this appliance may result in property damage or personal injury.
20. **WARNING: Do not operate appliance with the glass front removed, cracked or broken. Replacement of the glass should be done by a licensed or qualified service person.**
21. The appliance area must be kept clear and free from combustible materials, gasoline, and other flammable vapors and liquids.
22. The front of the fireplace gives off high temperatures that could ignite combustible material which is kept close to the front of the unit.
23. Ensure that power to the Fireplace is turned off before servicing.
24. Do not operate this Fireplace without the glass front or with a broken glass.
25. Improper installation, adjustment, alteration, service or maintenance can cause injury or property damage. Refer to the owner's information manual provided with this appliance. For assistance or additional information consult a qualified installer, service agency, or the gas supplier.
26. Operation of this appliance when not connected to a properly installed and maintained venting system or tampering with the blocked vent shutoff system can result in carbon monoxide (CO) poisoning and possible death.
27. This appliance is equipped with a three-prong (grounding) plug for your protection against shock hazard and should be plugged directly into a properly grounded three-prong receptacle. Do not cut or remove the grounding prong from this plug.

### DANGER



**HOT GLASS WILL CAUSE BURNS.  
DO NOT TOUCH GLASS UNTIL COOLED.  
NEVER ALLOW CHILDREN TO TOUCH GLASS.**

A barrier designed to reduce the risk of burns from the hot viewing glass is provided with this appliance and shall be installed for the protection of children and other at-risk individuals.

- Gas fired appliances may be used only for supplemental heat and/or decorative purposes and under no circumstances shall they provide a primary heat source.
- This appliance must not be connected to a chimney flue serving a separate solid-fuel burning appliance.

NOTE: It is recommended that a Carbon Monoxide (CO) Detector be installed in or near bedrooms and on all levels of your home. Place a detector about 15ft [4.5m] outside the room that houses your gas appliance.

**Certified for installation in a bedroom or bed/sitting room. In Canada must be installed with listed millivolt thermostat.**

**In the U.S.A. Thermostats are not permitted for Vented Gas Fireplaces (ANSI Z21.50b-Decorative).**

**In USA see local codes.**

## Operations and Maintenance Instructions

For safe installation and operation note the following:

- Venting systems should be periodically examined by a qualified agency.
- The flow of combustion and ventilation air must not be obstructed.
- The Burner/Log Assembly has been engineered and permanently adjusted for proper flame control.
- Periodically remove the logs from the grate assembly and vacuum any loose particles from the grate and burner areas. See Log Placement page to remove logs. Vacuum burner parts and replace logs.
- Never use your gas fireplace as a cooking device.
- Label all wires prior to disconnection when servicing controls. Wiring errors can cause improper and dangerous operation. Verify proper operation after servicing.

## Installation Requirements for the Commonwealth of Massachusetts

In the Commonwealth of Massachusetts, the installer or service agent shall be a plumber or gas fitter licensed by the Commonwealth. When installed in the Commonwealth of Massachusetts or where applicable codes; the unit shall be installed with a CO detector per the requirements listed below.

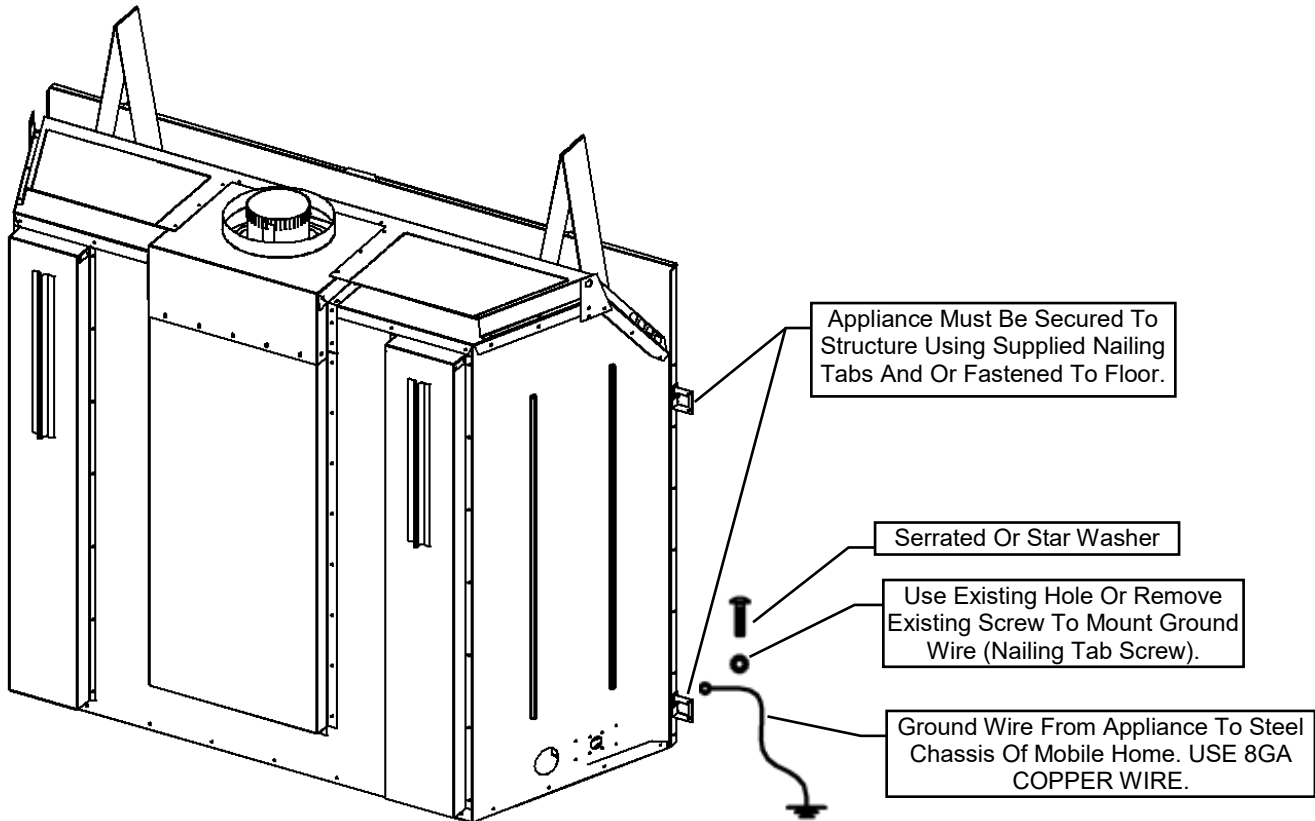
1. For direct-vent appliances, mechanical-vent heating appliances or domestic hot water equipment, where the bottom of the vent terminal and the air intake is installed below four feet above grade the following requirements must be satisfied:
  - A. If there is not one already present, on each floor level where there are bedroom(s), a carbon monoxide detector and alarm shall be placed in the living area outside the bedroom(s). The carbon monoxide detector shall comply with NFPA 720.
  - B. A carbon monoxide detector shall be located in the room that houses the appliance or equipment and shall:
    - Be powered by the same electrical circuit as the appliance or equipment such that only one service switch services both the appliance and the carbon monoxide detector;
    - Have battery back-up power;
    - Meet ANSI/UL 2034 Standards and comply with NFPA 720; and
    - Have been approved and listed by a Nationally Recognized Testing Laboratory as recognized under 527 CMR.
  - C. A Product-approved vent terminal must be used, and if applicable, a Product-approved air intake must be used. Installation shall be in strict compliance with the manufacturer's instructions. A copy of the installation instructions shall remain with the appliance or equipment at the completion of the installation.
  - D. A metal or plastic identification plate shall be mounted at the exterior of the building, four feet directly above the location of vent terminal. The plate shall be of sufficient size to be easily read from a distance of eight feet away, and read "Gas Vent Directly Below".
2. For direct-vent appliances, mechanical-vent heating appliances or domestic hot water equipment where the bottom of the vent terminal and the air intake is installed above four feet above grade the following requirements must be satisfied:
  - A. If there is not one already present, on each floor level where there are bedroom(s), a carbon monoxide detector and alarm shall be placed in the living area outside the bedroom(s). The carbon monoxide detector shall comply with NFPA 720.
  - B. A carbon monoxide detector shall:
    - Be located in the room that houses the appliance or equipment;
    - Be either hard-wired or battery powered or both; and
    - Shall comply with NFPA 720.

A Product-approved vent terminal must be used, and if applicable, a Product-approved air intake must be used. Installation shall be in strict compliance with the manufacturer instructions. A copy of the installation instructions shall remain with the appliance or equipment at the completion of the installation.

For the state of Massachusetts a **T-handle gas shut-off valve** must be used on a gas appliance. This T-handle gas shut-off valve must be listed and approved by the state of Massachusetts. This is in reference to the state of Massachusetts state code CMR238.

## Mobile Home/Manufactured Housing Installation

This Direct Vent System Appliance must be installed in accordance with the manufacturer's installation instructions and the Manufactured Home Construction and Safety Standard Title 24 CFR, Part 3280, or the current Standard for Fire Safety Criteria for Manufactured Home Installations, Sites, and Communities ANSI/NFPA 501A, and with CAN/CSA Z240 MH Mobile Home Standard in Canada.



THE VENTED GAS FIREPLACE HEATERS (ANSI Z21.88-2009) IN THIS MANUAL MAY BE INSTALLED IN MANUFACTURED (MOBILE) HOMES AFTER FIRST SALE IN THE USA.

THE VENTED GAS FIREPLACE HEATERS (ANSI Z21.88-2009) IN THIS MANUAL MAY BE INSTALLED IN MANUFACTURED (MOBILE) HOMES IN CANADA.

Please follow the current ANSI/NFPA 70 National Electrical Code in the USA and CAN/CSA C22.1 Canadian National Electrical Code in Canada.

An appliance must be grounded to the steel chassis of the home with 8 ga. copper wire using a serrated or star washer to penetrate paint or protective coating to insure grounding. Use carriage bolt at the attachment point (see diagram above) to secure the appliance to the floor.



**Warning:** Do not compromise the structural integrity of the manufactured home wall, floor or ceiling, during installation of appliance or venting.

**For required venting components see venting installation in appropriate section of this manual.**

Certified for installation in a bedroom or bed/sitting room. In Canada must be installed with listed millivolt thermostat. In USA see local codes.

This section is intended for qualified installers only. Before beginning, make note of where the gas and electrical accesses are located on the unit. This will streamline the construction process. Furthermore, familiarize yourself with the venting and clearance requirements (see Venting section) for this appliance. Failure to comply with those requirements can seriously compromise the safety and operation of the fireplace.

**Specifications**

1. Cold climate installation recommendation: When installing this fireplace against non insulated exterior wall or chase, it is recommended that the outer walls be insulated to conform to applicable insulation codes. Drywall & vapor barrier must be installed over insulation to prevent contact of insulation and unit.
2. Choose fireplace location and frame in accordance with the fireplace framing dimensions specified (view diagrams).
3. Drywall or other combustible material can extend up to the Drywall Stops located on the sides of the unit, and up to the bottom and top.
4. A Hearth is not required for this unit.

**Vertical Venting in Cold Climates**

In cold climate conditions where temperatures go below -10 degrees Celsius or 14 degrees Fahrenheit, we recommend that the chase be insulated and where the vent pipe enters into the attic space that the pipe be wrapped with an insulated Mylar sleeve. This will increase the temperature of the vent and help the appliance to vent properly in cold weather conditions.

It is also important in vertical vented direct vent appliances that the appliance be operated daily during the winter months as this will help stop the termination from freezing up. We recommend using a thermostat (Not permitted for decorative vented gas fireplaces installed in the U.S.A.) set at room temperature to allow the unit to cycle.

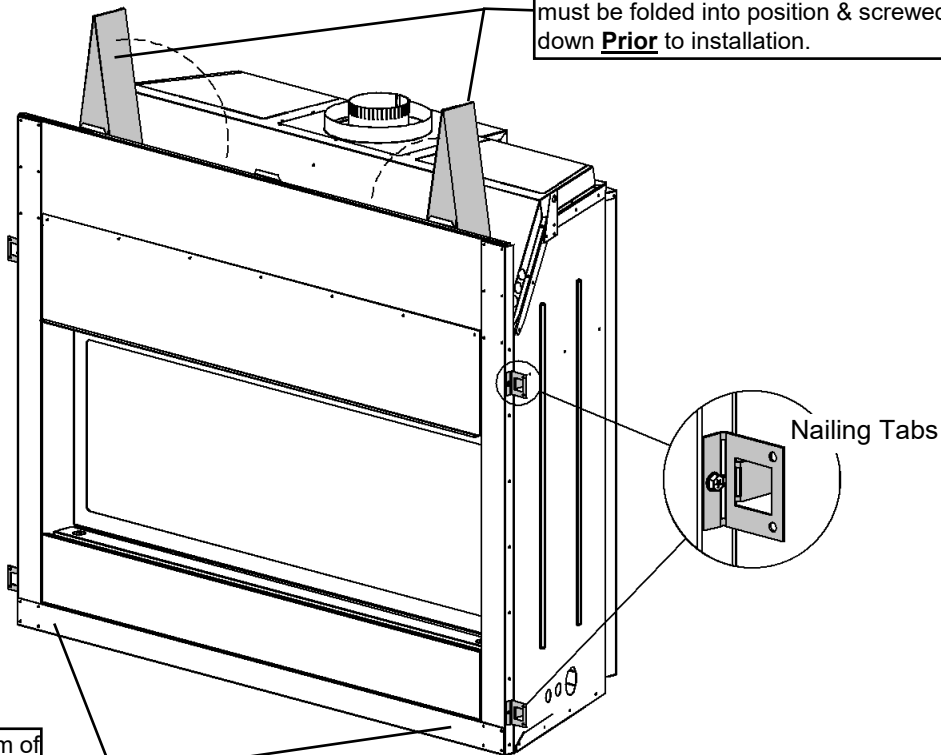
For IPI models it may be necessary to set the appliance to Standing Pilot mode to maintain heat in the cavity. The purpose of this procedure is to prevent cold air from penetrating the chimney and then onto the living space. Therefore, when the internal temperature is slightly elevated the fireplace is able to freely exhaust its combustion and hence making it easier to startup.

Certified for installation in a bedroom or bed sitting room. In Canada must be installed with listed millivolt thermostat (Not permitted for decorative vented gas fireplaces installed in the U.S.A.). In USA see local codes.

**Stand-off Locations**

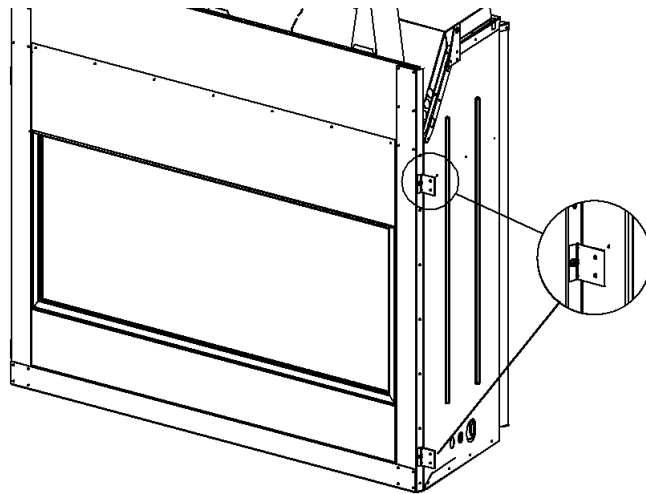
Make note of where the stand-off locations are. These stand-offs are provided as indicators to illustrate the boundaries for framing. Therefore, no framing material is permitted to extend beyond these stand-offs.

**Caution:** Standoffs on top of the unit must be folded into position & screwed down **Prior** to installation.



Holes are provided in bottom of unit to secure appliance to floor after installation.



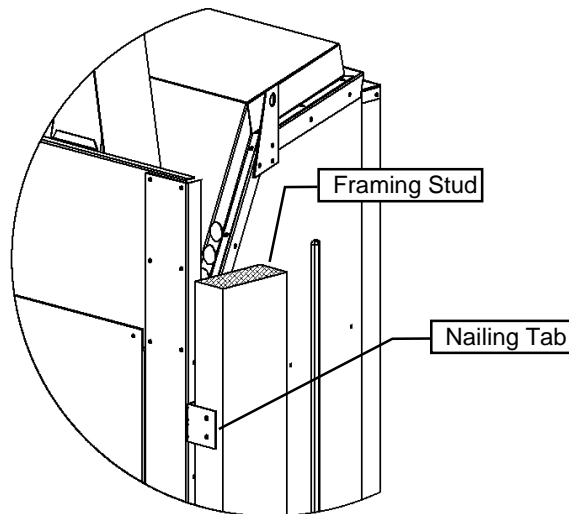
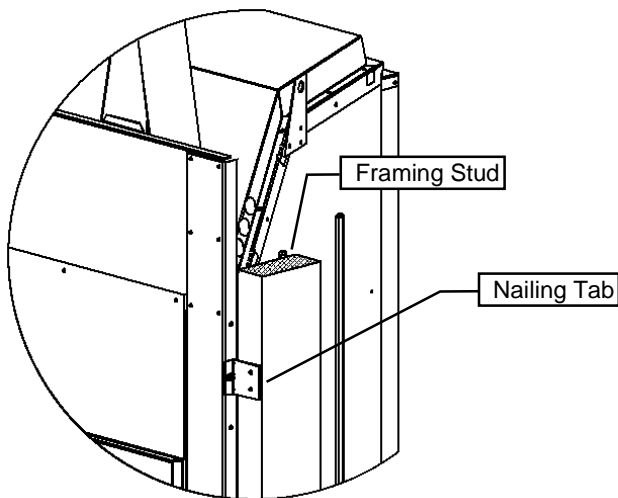
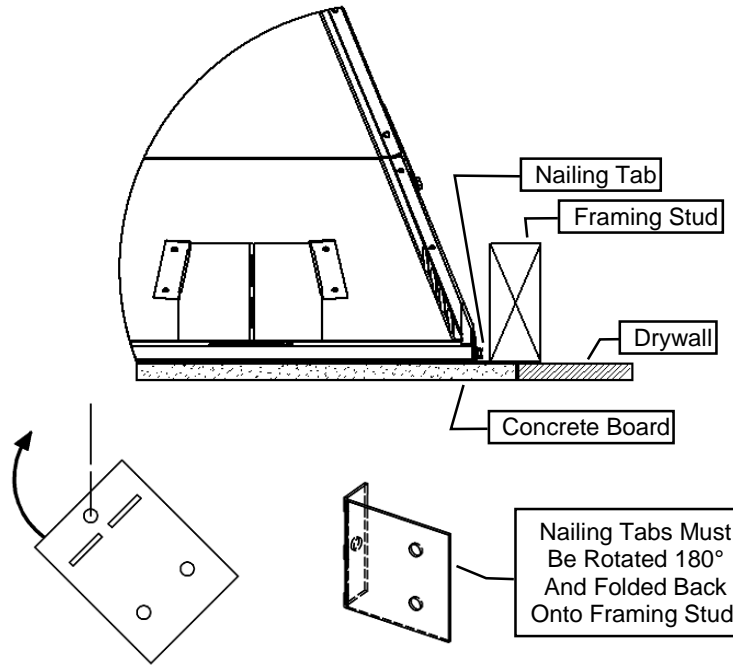
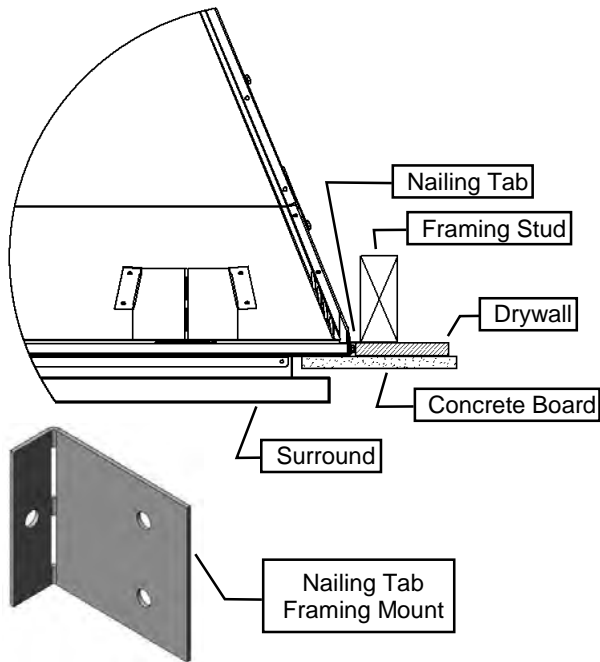


[Qty]2 Nailing Tabs are located on each side of the fireplace front frame.

**These Nailing Tabs can be used in two ways:**

**1/2" Drywall Flush with Face of Fireplace** –Fireplace and Combustible Wall to be covered with a surround and / or Non-Combustible Materials (e.g. Stone around Fireplace).

**Framing Flush with Face of Fireplace** -Fireplace to be covered with Non-Combustibles (e.g. Concrete Board) for Flat Wall appearance.



# VRB46 -Facing Requirements- ALL UNITS- Chase Not Vented or Vented Chase-

**NOTE: ANY MATERIALS COVERING THE FACE OF THE FIREPLACE BESIDE AND ABOVE THE FIREPLACE OPENING MUST BE NON-COMBUSTIBLE (i.e. brick, stone, tile, concrete board). FIREPLACE WITH SCREEN ONLY (AS SHIPPED) SHOWN HERE.**

When finishing the wall around the fireplace, it is critical that the wall covering be fastened properly. It is acceptable to pre-drill holes and use self-tapping screws which may be used to fasten a backer for tile, marble, etc. Screws being installed through non-combustible board should be self-tapping type with a maximum length of 2 inches.

**Do not drill or install longer screws (over 2") as this may damage internal components.**

- We recommend that CONCRETE BOARD (non-combustible material) be tied in to the entire perimeter of the fireplace for durability.

**Finishing Recommendations** (Obtained from professional construction contractors and finishers):

- Frame unit with metal studs (minimum 20 gauge). **Wooden studs may be used, but may cause**

**drywall screws to pop or pull due to wood studs drying out.**

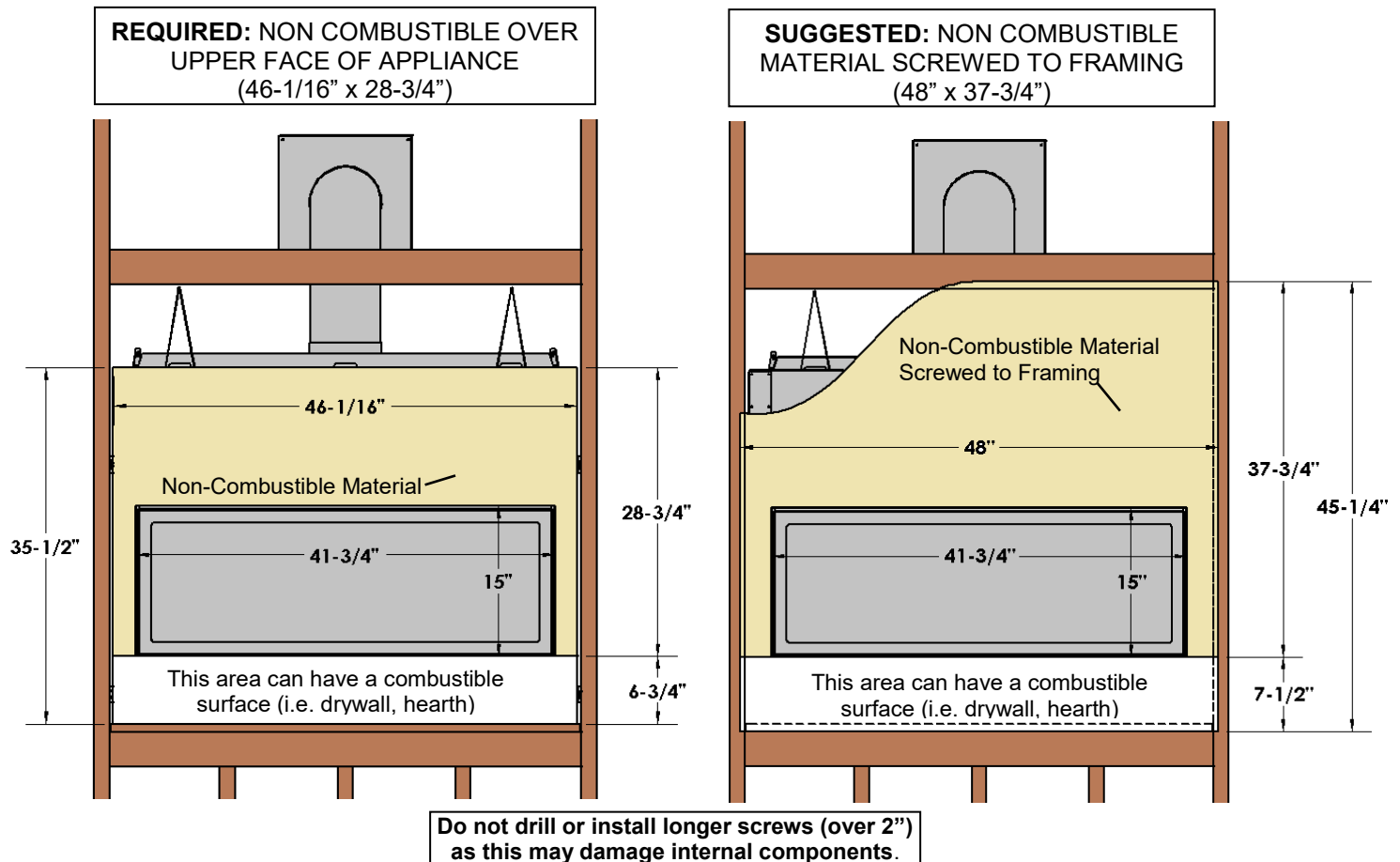
- Minimum of 1/2" CONCRETE BOARD cement board (this **non-combustible** panel is ULC listed as a wall shield/floor protector) and fasten to the entire perimeter framing.
- Use fiberglass (mesh) tape for all joints in area of the fireplace.
- Use Yellow joint mud (contains high amounts of glue) – two coats, finishing with one coat of green topping mud, sand and prep for painting.
- If not using a surround, a metal "L" Trim may be used to finish perimeter of CONCRETE BOARD.

**OTHER NOTES:**

**-A full single sheet** of non-combustible board (no joints) above the unit is recommended if possible.

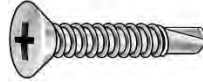
-It is preferred to attach the non-combustible board to **framing only** and not directly to the unit to allow for expansion and contraction during normal operation.

-Lighter colored painted surfaces may discolor due to heat exposure.



This kit is recommended for Clean View Facing of the VRB46.

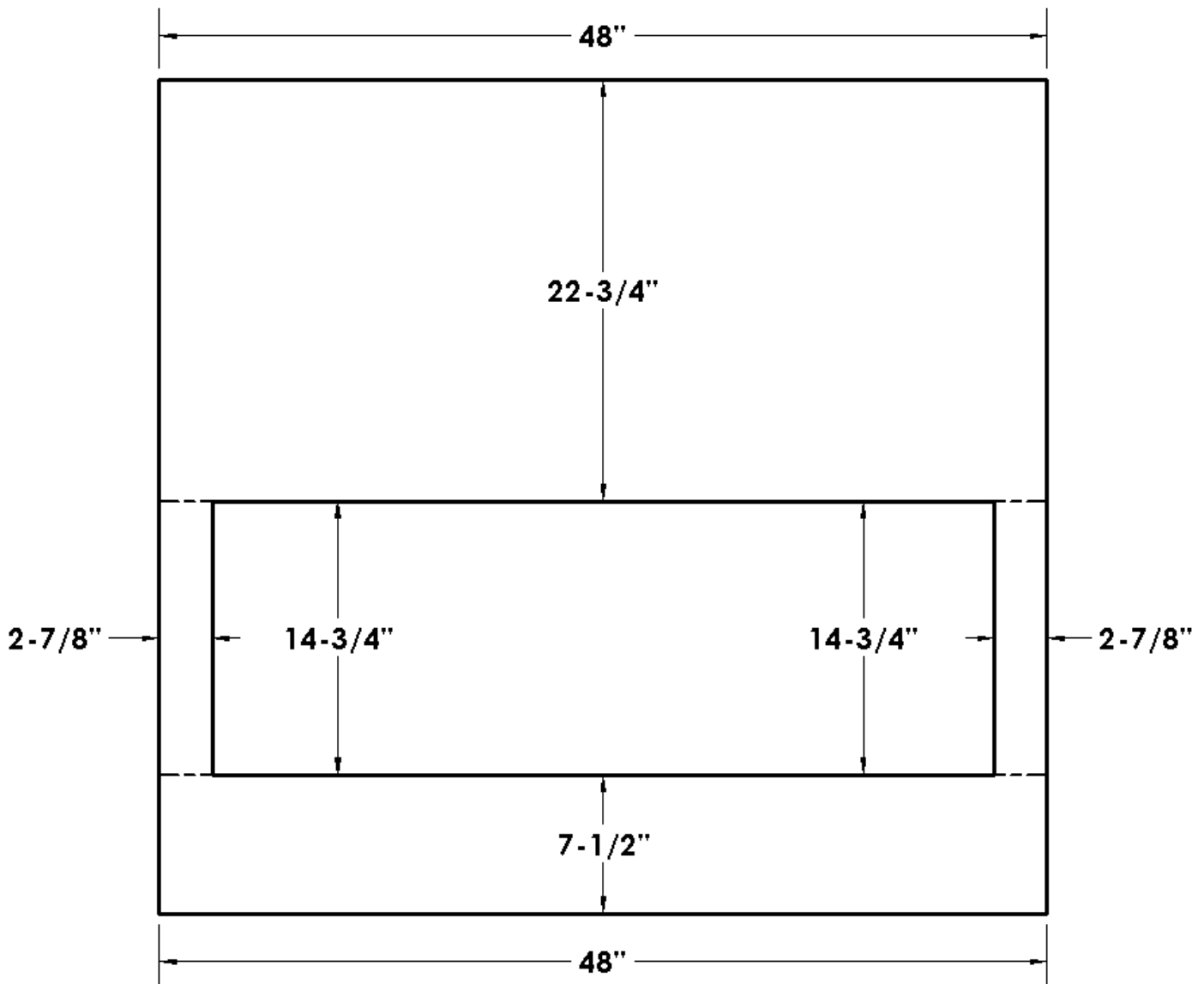
- Promat precut boards can be installed with standard drywall screws (pre-drilling into fireplace face required) or self-drilling drywall screws.



It may be desirable to countersink the screw holes for easier finishing later.

**NOTE: Do not use screws longer than 1 inch as internal parts of fireplace may be damaged.**

- Use standard joint filler and paint.



# VRB46

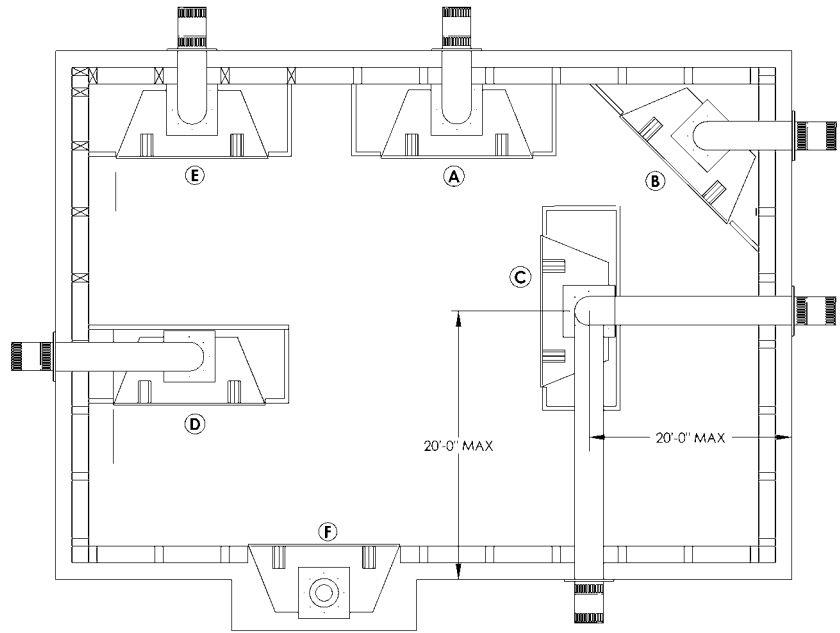
# Locating Your Appliance

### LOCATION KEY:

- A. Flat on Wall
- B. Across the Corner
- C. As an Island
- D. As a Room Divider
- E. Flat on Wall Corner
- F. Exterior Wall

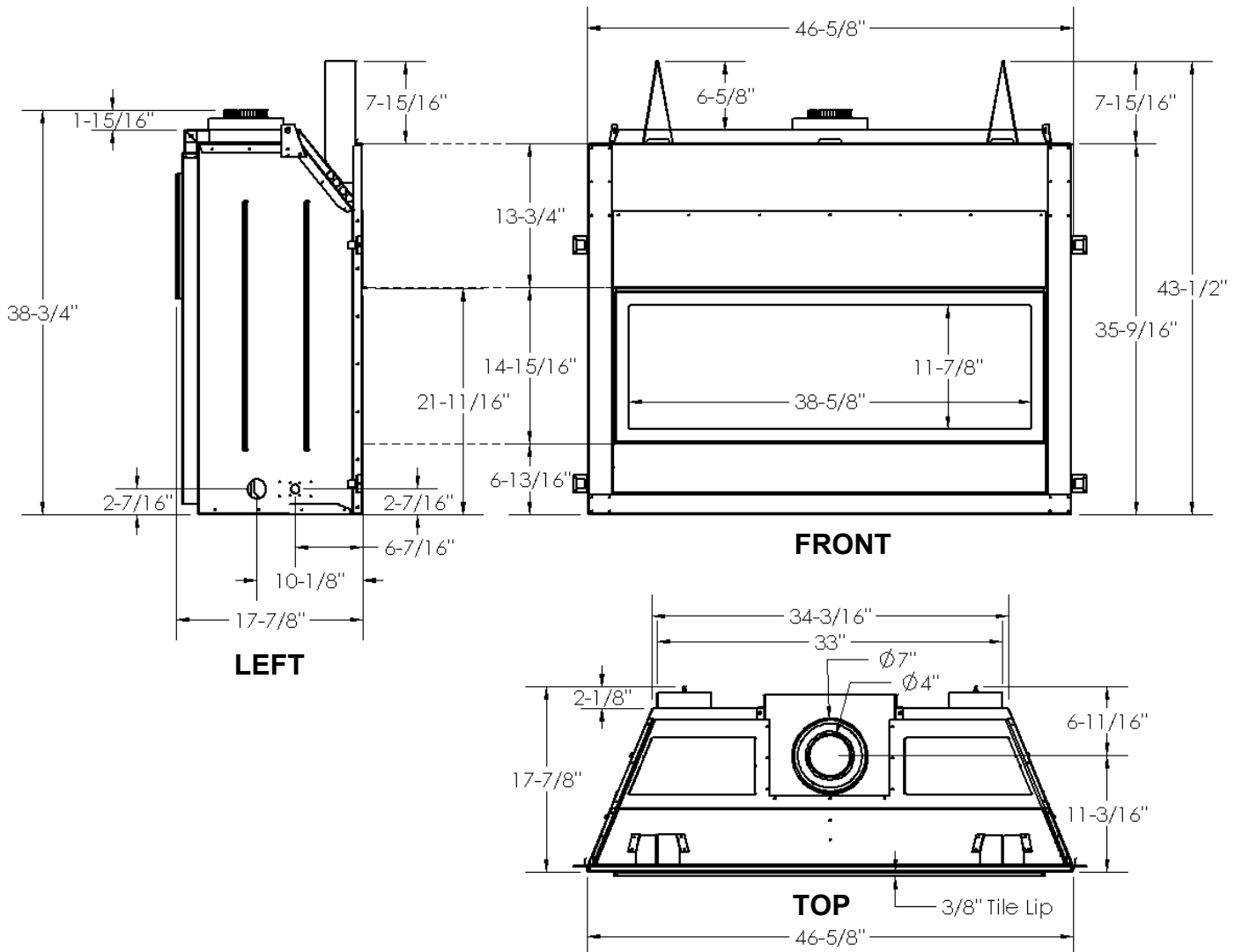
See Mantel Leg Clearances Instruction for the proper placement of fireplace.

Island installation with a top vent is possible as long as the horizontal portion of the vent system does not exceed 20 feet (6.1 m).



# VRB46

# Fireplace Dimensions



# VRB46 –Unvented Chase VS Vented Chase- Choose Your Installation

Look at the following chart before you begin the installation.

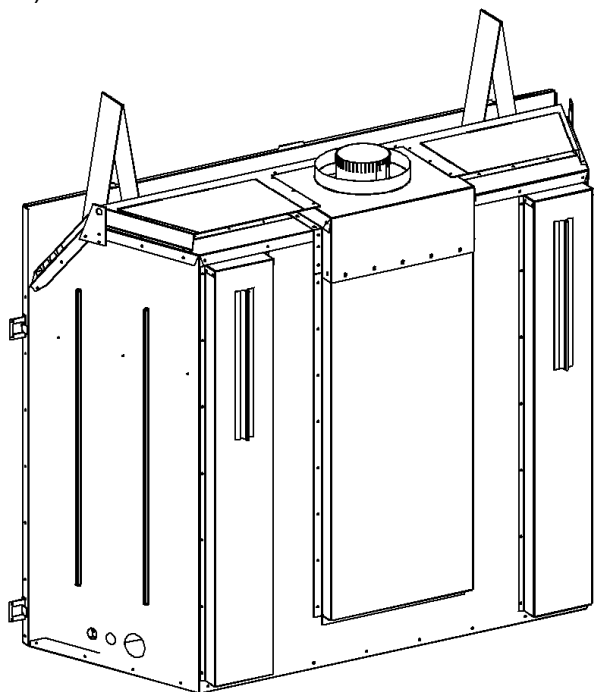
|                       | Low Enclosure | Cool Touch Wall | TV above Fireplace with Recessed Installation option | Mantel Height        | Heat can be directed to second room |
|-----------------------|---------------|-----------------|--|----------------------|-------------------------------------|
| <b>UNVENTED CHASE</b> | 64"           | No              | No   | 2" at 37-1/2"        | No                                  |
| <b>VENTED CHASE</b>   | 70"           | Yes             | Yes  | Any size at 35-9/16" | Yes                                 |

### UNVENTED CHASE:

This is a traditional fireplace installation where the fireplace is built into an unvented chase.

- Enclosure height is lower.
- Temperature of chase walls will be higher.
- No TV above Fireplace
- Mantel height is higher.

Fireplace will be installed with Ventilation Plates in place (as shipped).

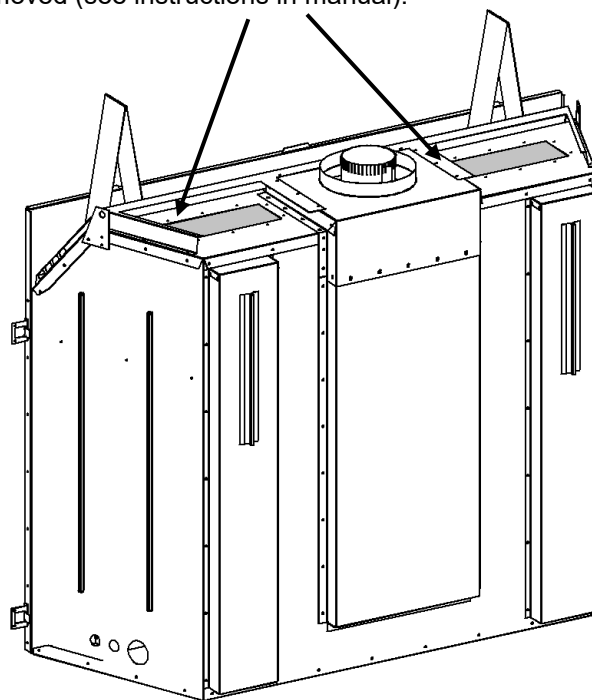


### VENTED CHASE:

The fireplace is installed into a vented chase. There are many different styles of vented chase. See pages in manual for installation details and information.

- Enclosure height is higher.
- Chase walls will be much cooler to the touch.
- A TV is allowed above the fireplace.
- Mantel height is lower.

Fireplace will be installed with **Ventilation Plates** removed (see instructions in manual).



A minimum opening of 105 square inches of ventilation area is required.

Kingsman **V46EG** Grill may be used.

If a custom grill is used, free air opening must total 105 square inches with no sloping louvers.

See "**Chase Not Vented**" Framing Section

See "**Vented Chase**" Framing Section

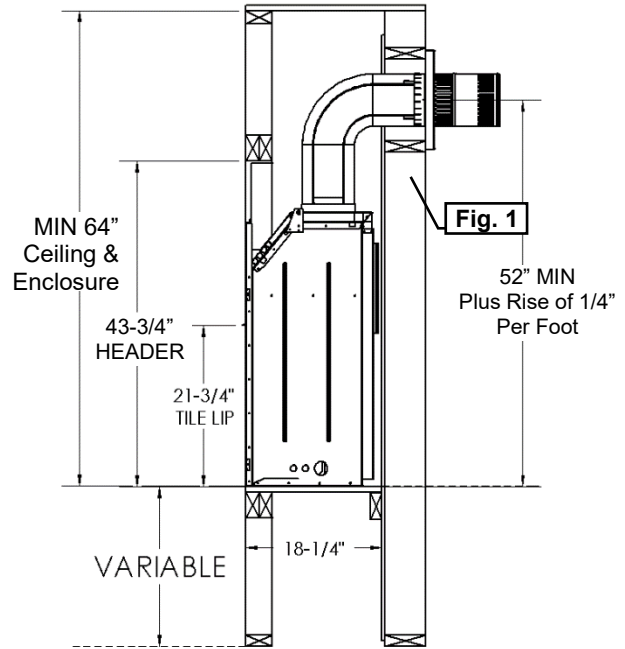
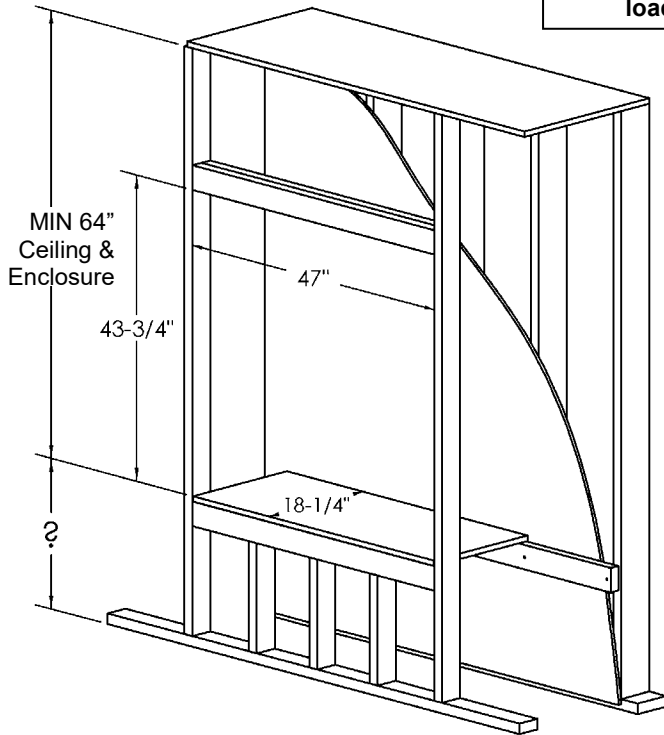
# VRB46- Framing Dimensions -Chase Not Vented- Ventilation Plates In Place-As Shipped

Determine whether face of fireplace will be:

- flush with finished wall (e.g., for surround, cultured stone or other non combustible covering).
- flush with framing (to be covered with concrete board for a Flat Wall appearance).

Refer to Nailing Tab Guide section also.

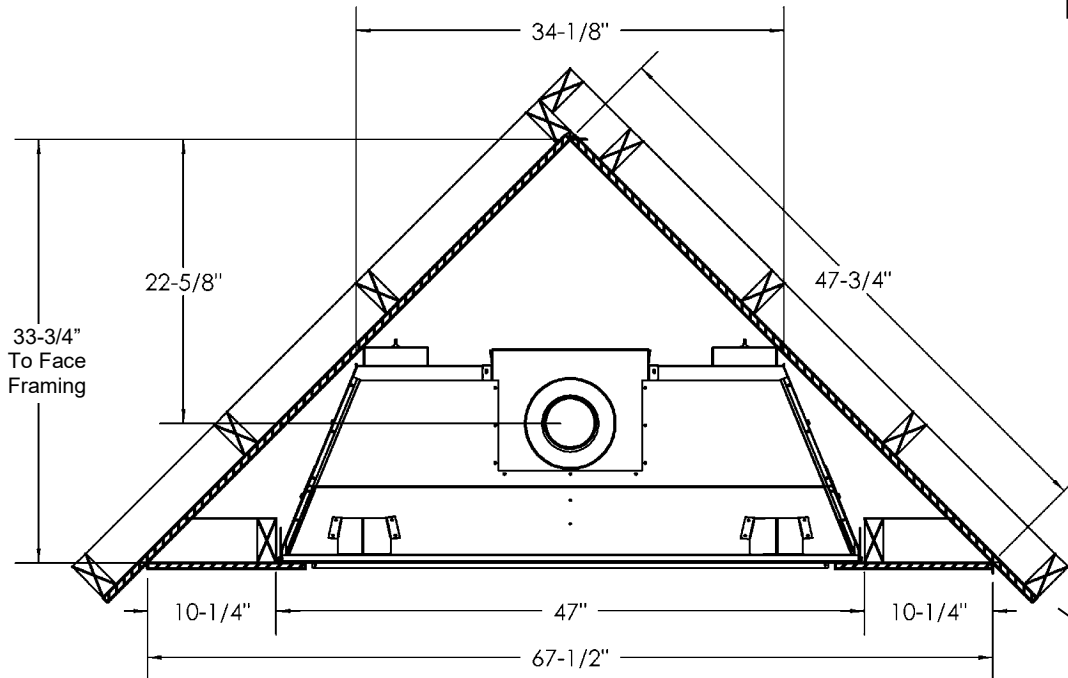
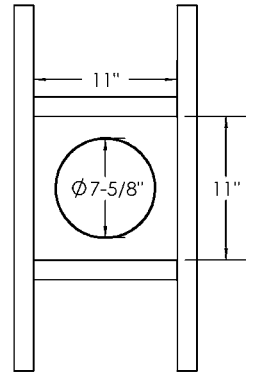
**These structures are not load bearing.**



Note: If using optional surround, maximum thickness for non-combustible material is 3/4".

**Vertical Venting MUST maintain 1" clearance to combustibles.**

**Fig.1**  
Framing for Horizontal Vent Termination  
(See Installation of Side Wall Venting Section)



Shown flush with framing.

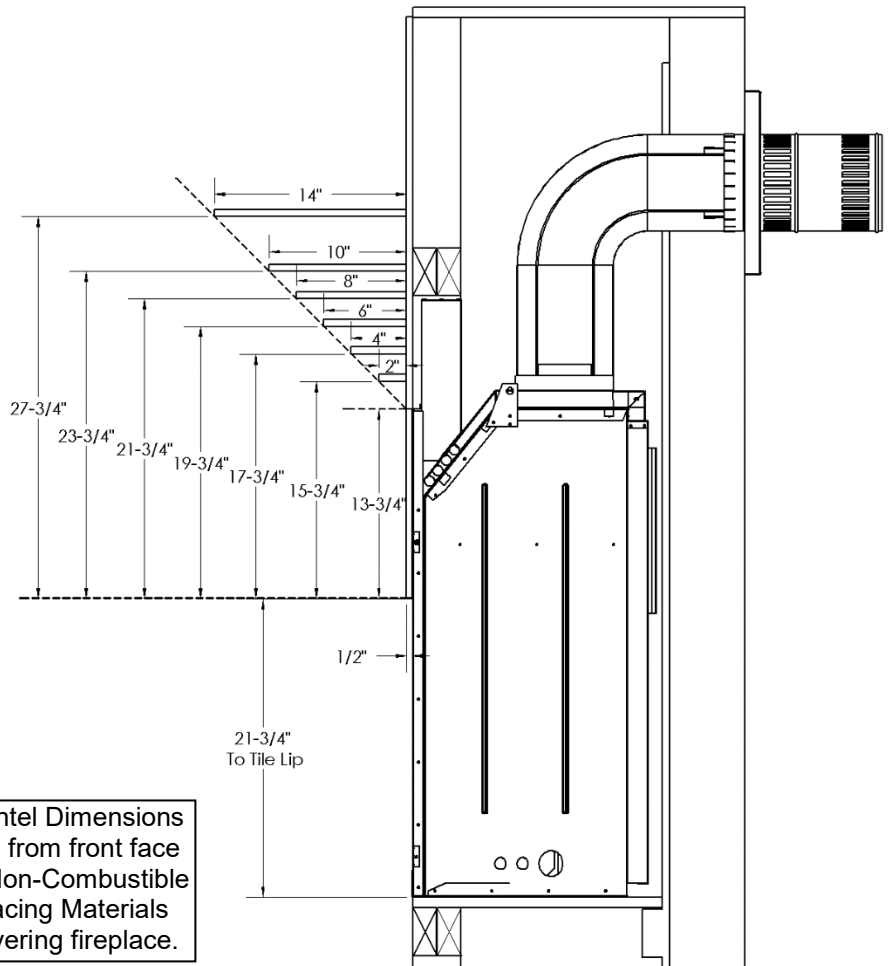
# VRB46 -Mantel Clearances –Chase Not Vented- Ventilation Plates In Place -As Shipped

Before installing any mantels it is important to determine the combustibility of its material(s). There are two types of mantels to consider: Combustible and Non-Combustible.

A **Combustible Mantel** is one that consists of material(s) that may discolor, combust, or lose its integrity in the presence of heat. These types of mantels must strictly conform to the dimensional requirements shown.

Conversely, a **Non-Combustible Mantel** is one that is constructed with material(s) that will not combust. Check your local codes and regulations to determine whether your mantel is Combustible or Non-Combustible.

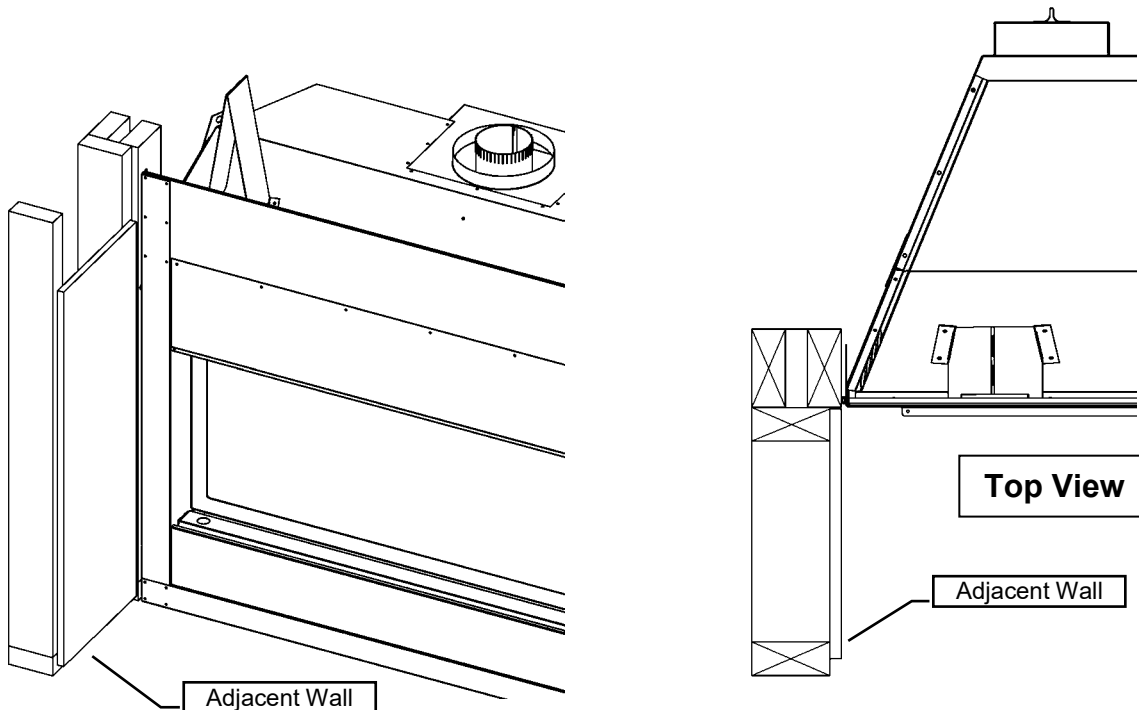
The advantage to Non-Combustible Mantels is that it may extend right up to the tile lip of the fireplace. Combustible mantels must adhere to the dimensional restrictions shown.



Mantel Dimensions are from front face or Non-Combustible Facing Materials covering fireplace.

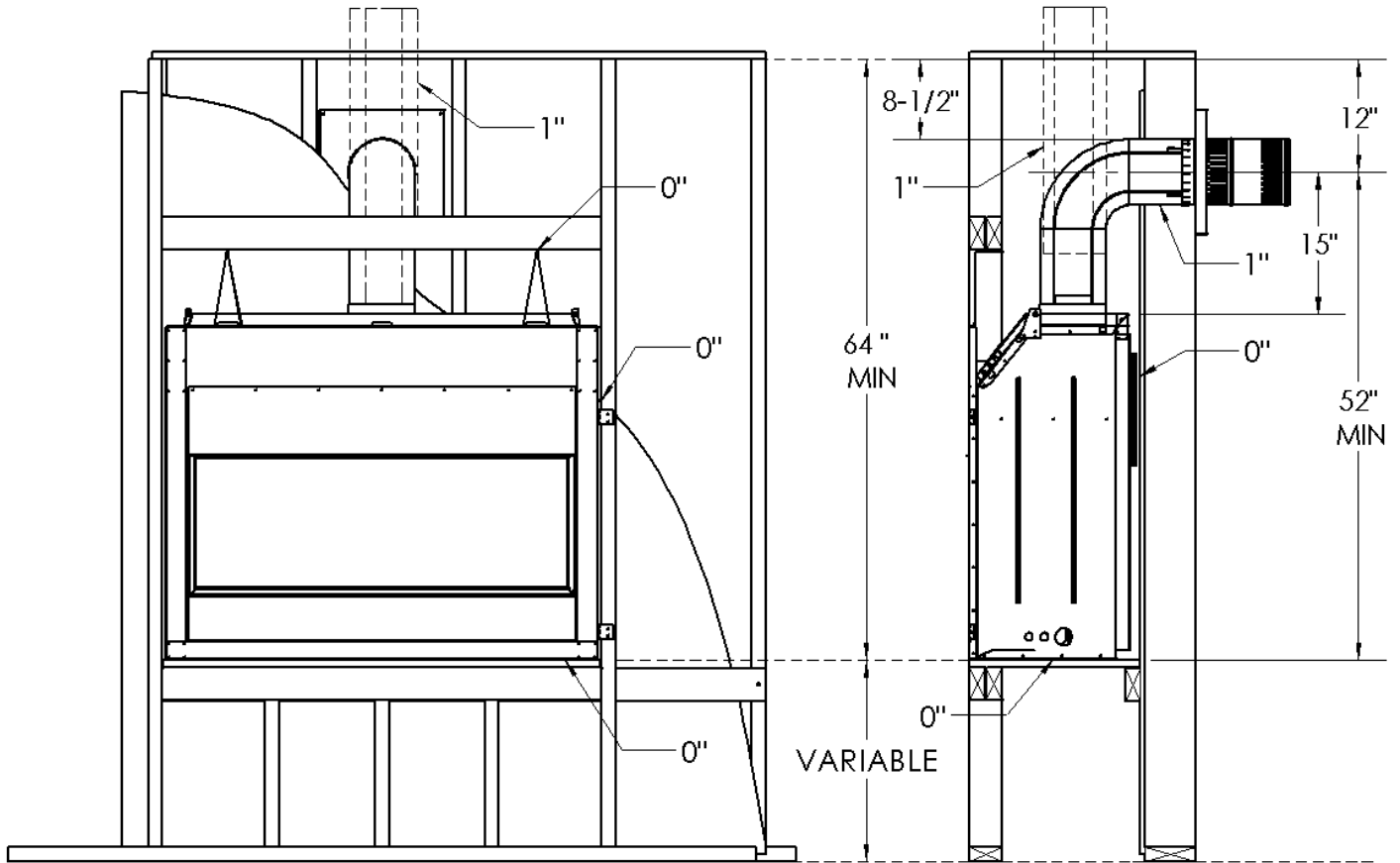
**⚠ Combustible Objects on Non-Combustible Mantel Warning-** Combustible objects must not be placed on a Non-combustible Mantel unless the mantel meets the dimensional requirements for a Combustible Mantel. Determine whether your mantel conforms to the requirements of a Combustible Mantel.

## Mantel Leg Clearances



# VRB46 -Clearance to Combustibles –Chase Not Vented- Ventilation Plates in Place -As Shipped

| Clearance to Combustibles                         | VRB46 –Chase Not Vented-    |
|---|-----------------------------|
| Front   | 36" [92cm]                  |
| Back (from Stand-offs)                            | 0" [0cm]                    |
| Side (from Stand-offs)                            | 0" [0cm]                    |
| Floor*  | 0" [0cm]                    |
| Minimum Ceiling Height (from bottom of fireplace) | 64" [162.5cm]               |
| Top (from Stand-offs)                             | 0" [0cm]                    |
| Top of 90° Bend in minimum Enclosure of 64"       | 8-1/2" [21.6cm]             |
| Top of 90° Bend in Enclosure over 64"             | 4" [10.2cm]                 |
| <b>VENTING SYSTEMS</b>                            |                             |
| Top of Horizontal Pipe                            | 1/1/2" [3.8cm]              |
| Side & Bottom of Horizontal Pipe                  | 1" [2.5cm] All Vent Systems |
| Vertical Vent Pipe                                | 1" [2.5cm] All Vent Systems |





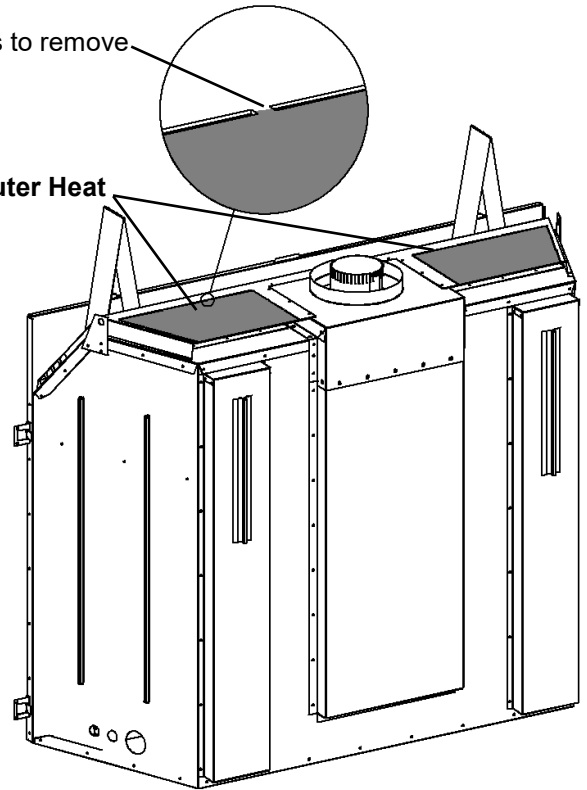
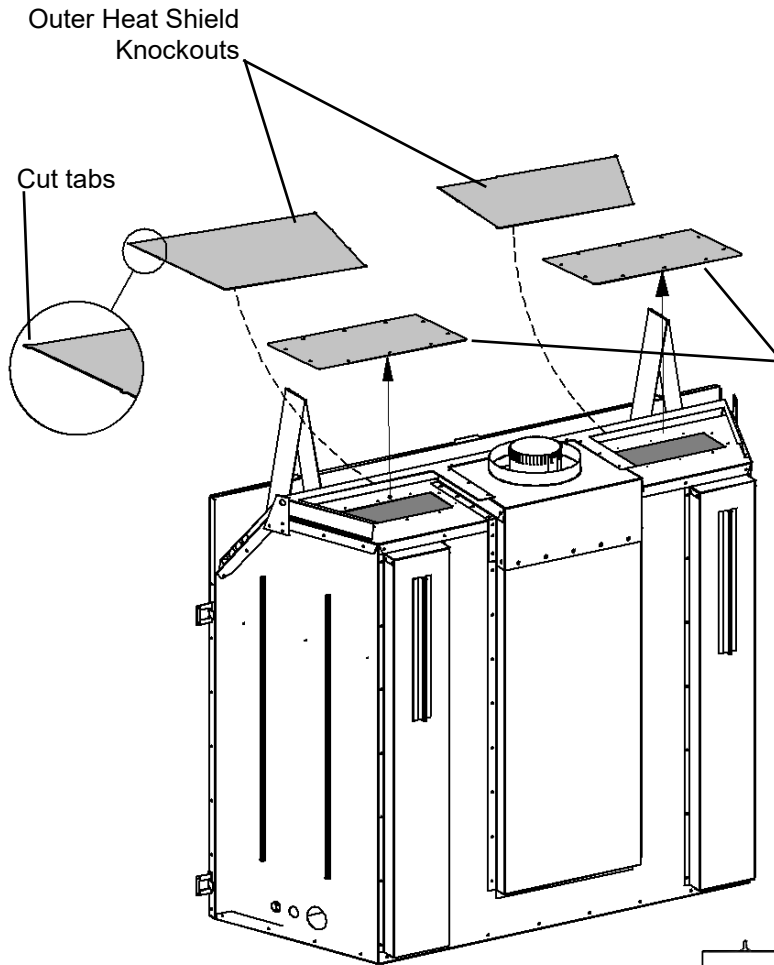
# VRB46 -Vented Chase –Removal of Ventilation Plates- See Framing for Vented Chase

**⚠ CAUTION:** Ventilation Plates must be removed before VRB46 is installed into a Vented Chase.

**STEP 1:** Remove [Qty 2] Knockouts from Outer Heat Shield.  
**STEP 2:** Remove [Qty 2] Ventilation Plates.

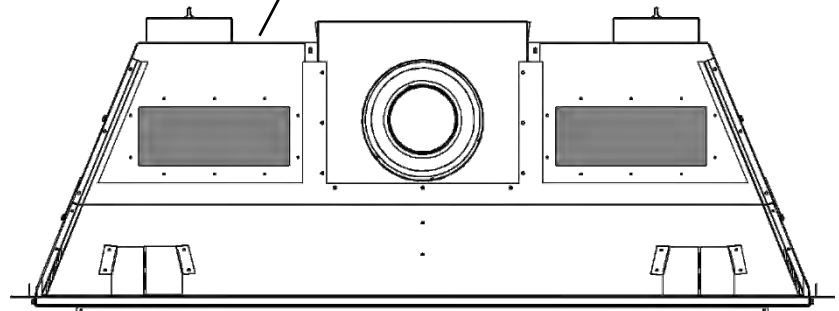
Cut tabs to remove

**STEP 1:** Remove [Qty 2] Knockouts from Outer Heat Shield



**STEP 2:** Remove [Qty 2] Ventilation Plates.  
Remove 1/4" drive screws and pry loose from sealant.

**TOP VIEW** After Outer Heat Shield Knockouts and Ventilation Plates have been removed.



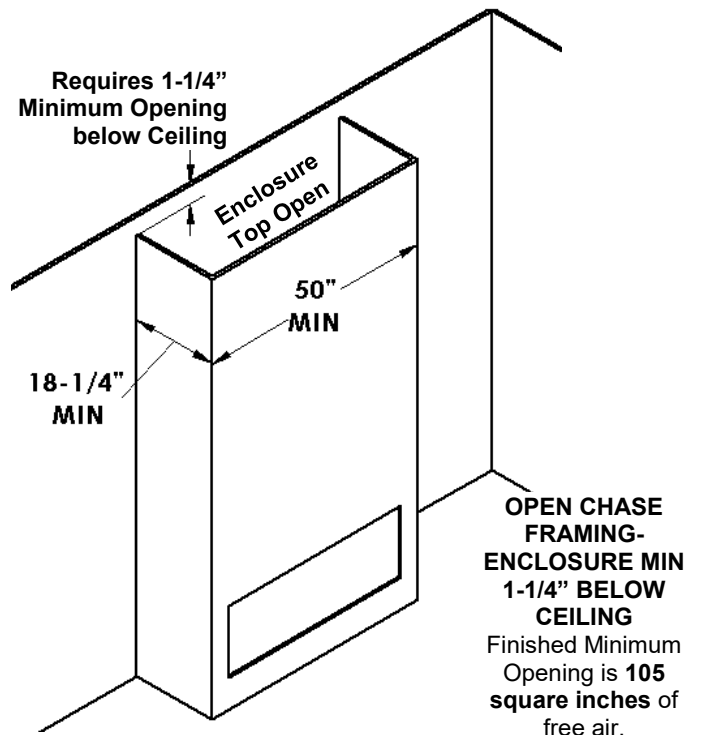
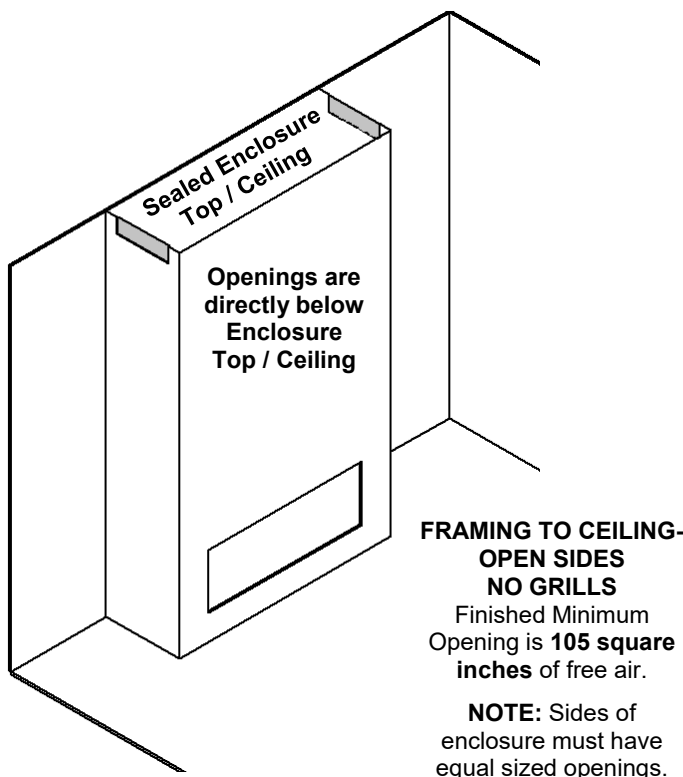
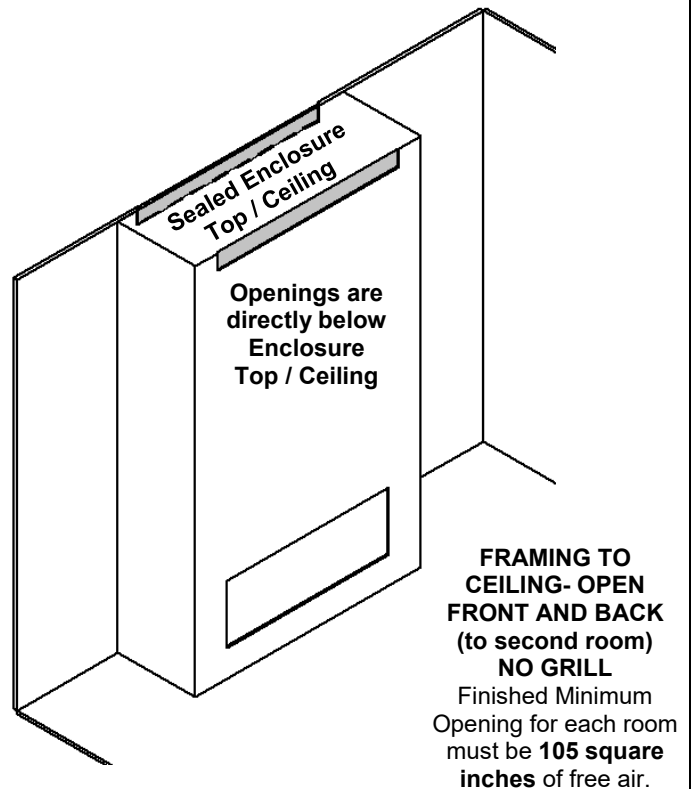
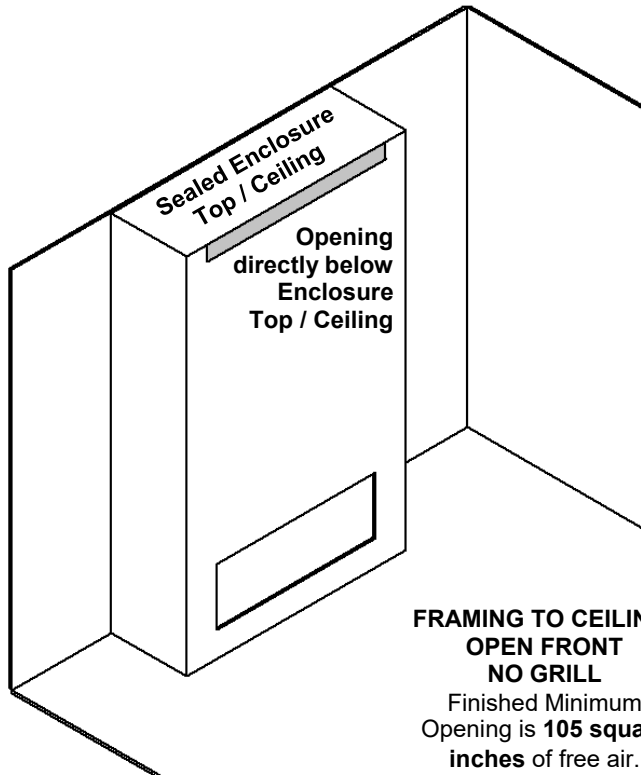
See "Vented Chase" Framing Section

# VRB46 – Vented Chase – Style 1 – OPENING WITH NO GRILL

- **VENTILATION PLATES MUST BE REMOVED.**
- Minimum Enclosure Height is 70" from the bottom of the appliance.
- For vertical venting use a Firestop (ZDVFS) or Attic Insulation (ZDVAIS, Z7AIS24) Shield through enclosure top.
- Minimum Opening is **105 square inches** free air.

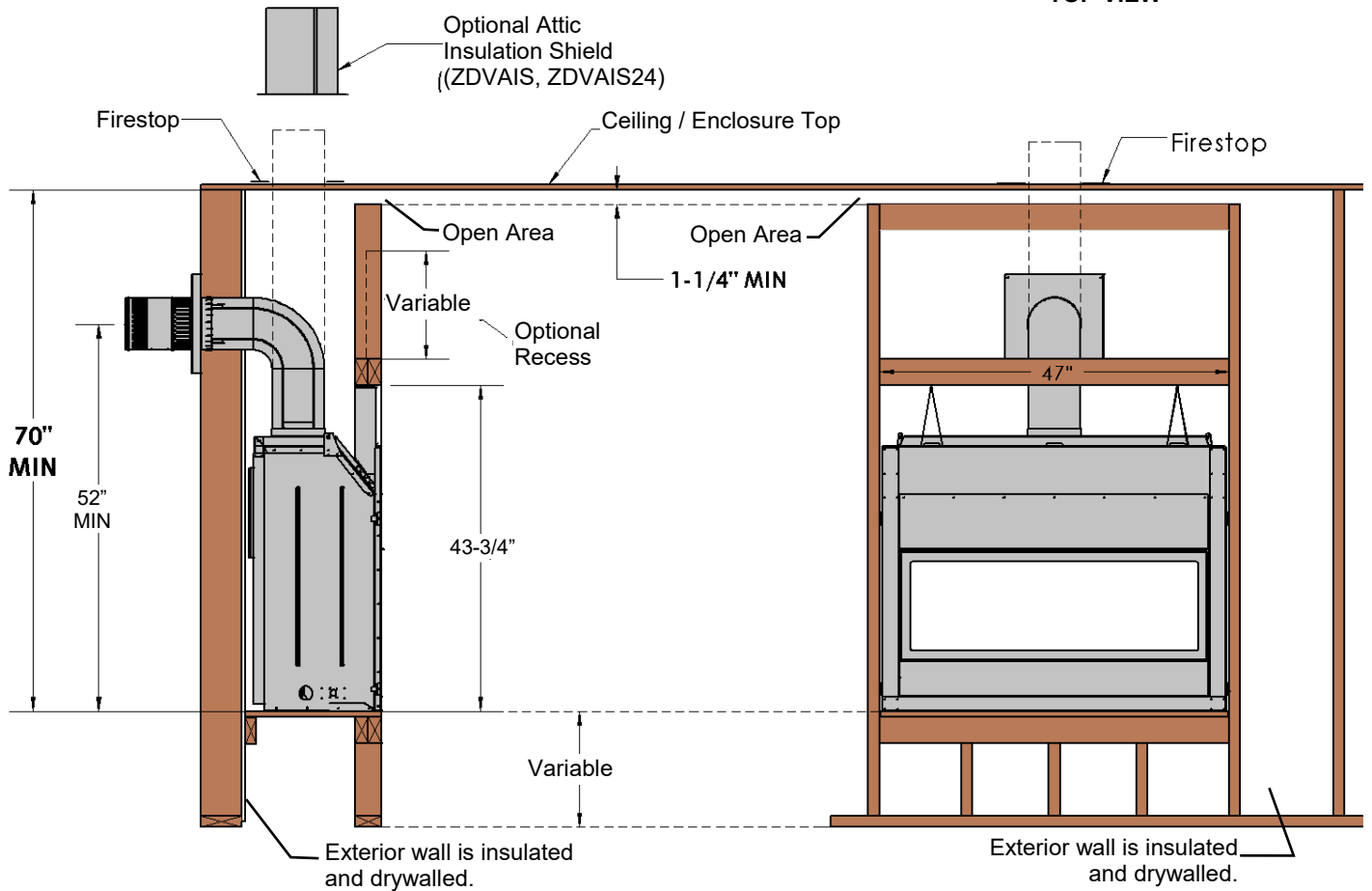
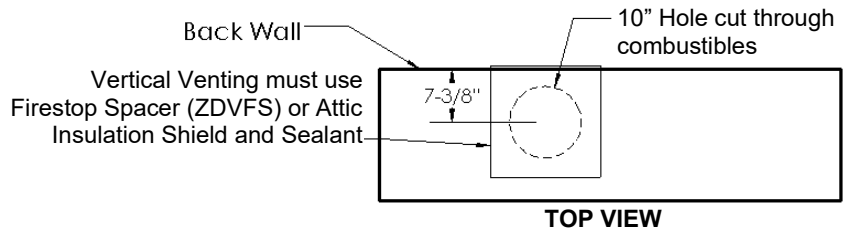
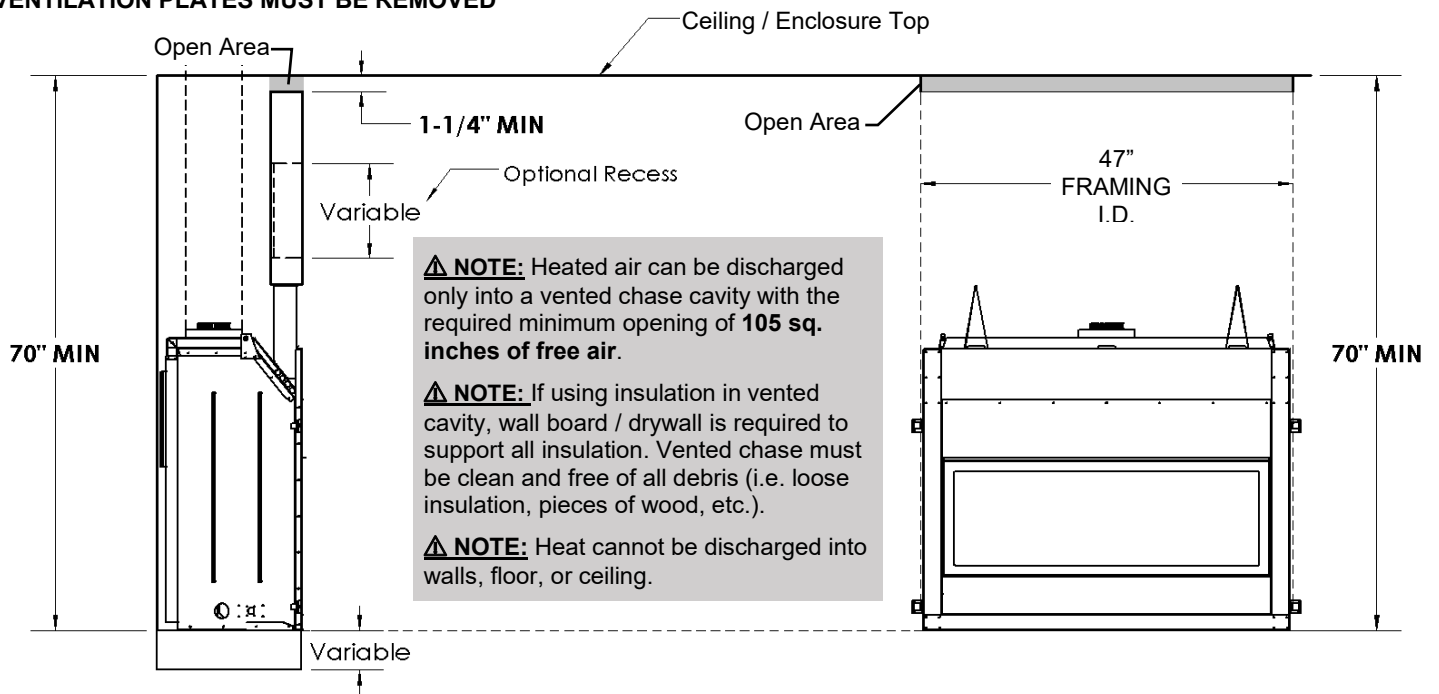
**⚠ NOTE: ENCLOSURE MUST BE SEALED**  
Air heated by circulation over the heating surfaces of the appliance must not be discharged directly into the walls, floor, or ceiling.

**⚠ NOTE: You may not vent enclosure to a second room without also venting to room in which fireplace is installed.**



# VRB46 –Vented Chase- Style 1 – OPENING WITH NO GRILL

VENTILATION PLATES MUST BE REMOVED



## VRB46 – Vented Chase – Style 2 – OPENING WITH GRILL

- **VENTILATION PLATES MUST BE REMOVED.**
- Grill openings must be within 2" of enclosure top.
- Minimum Enclosure Height is 70" from the bottom of the appliance.
- For vertical venting use a Firestop (ZDVFS) or Attic Insulation (ZDVAIS, Z7AIS24) Shield through enclosure top.
- If Kingsman V46EG Grill is used, **minimum rough opening required is 2-5/8" x 46-3/4"**. Any obstacles, such as vertical studs should be notched back 1-1/2" from finished face of wall.

**⚠ NOTE: ENCLOSURE MUST BE SEALED**

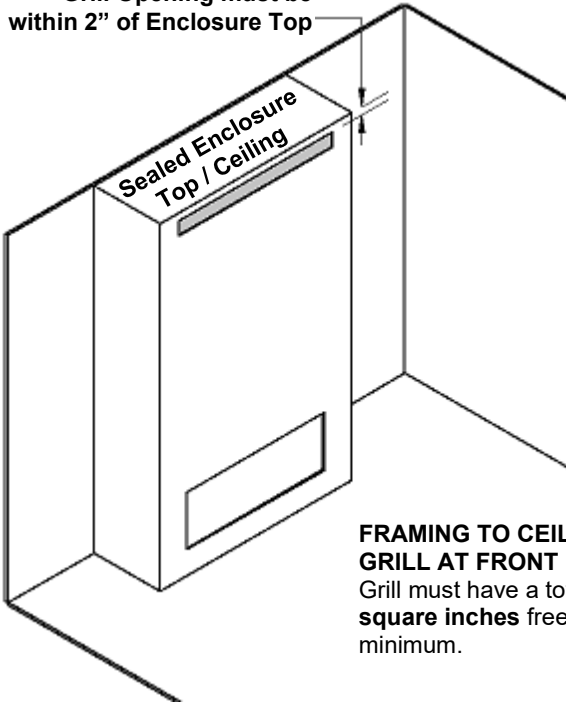
Air heated by circulation over the heating surfaces of the appliance must not be discharged directly into the walls, floor, or ceiling.

**⚠ NOTE:** You may not vent enclosure to a second room without also venting to room in which fireplace is installed.

**⚠ NOTE:**

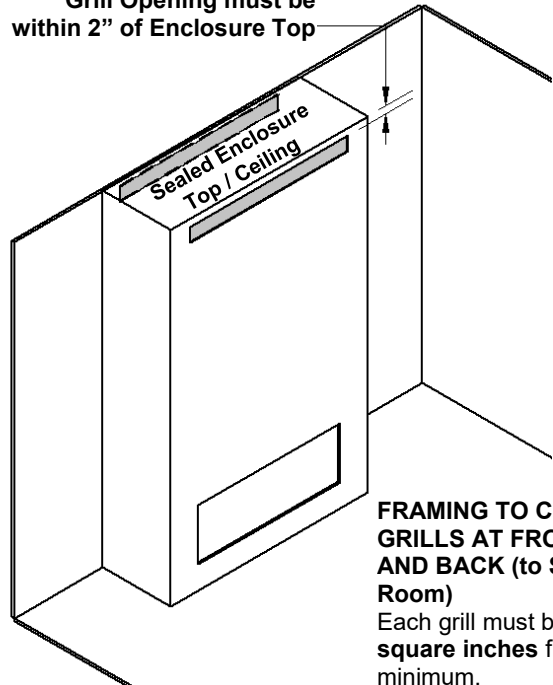
Outsourced grills must have **105 square inches minimum free air opening and no sloping louvers**

Grill Opening must be within 2" of Enclosure Top



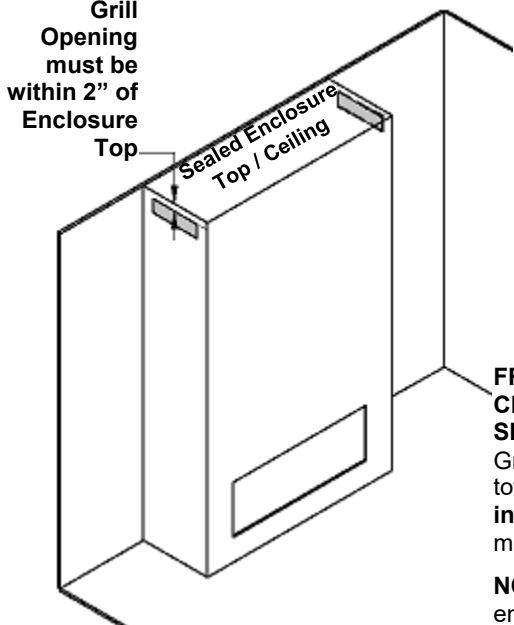
**FRAMING TO CEILING- GRILL AT FRONT**  
Grill must have a total of **105 square inches** free air minimum.

Grill Opening must be within 2" of Enclosure Top



**FRAMING TO CEILING- GRILLS AT FRONT AND BACK (to Second Room)**  
Each grill must be **105 square inches** free air minimum.

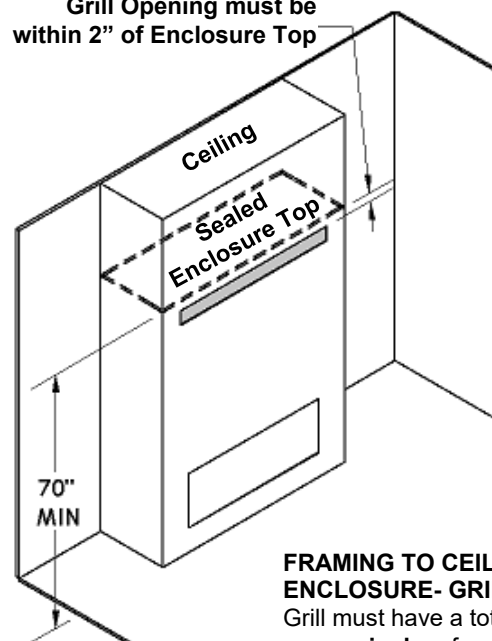
Grill Opening must be within 2" of Enclosure Top



**FRAMING TO CEILING- SIDE GRILLS**  
Grills must have a total of **105 square inches** free air minimum.

**NOTE:** Sides of enclosure must have equal sized grills.

Grill Opening must be within 2" of Enclosure Top

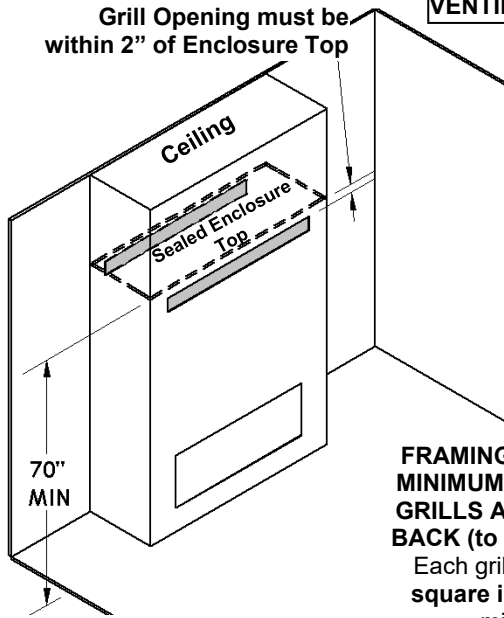


**FRAMING TO CEILING- MINIMUM ENCLOSURE- GRILL AT FRONT**  
Grill must have a total of **105 square inches** free air minimum.

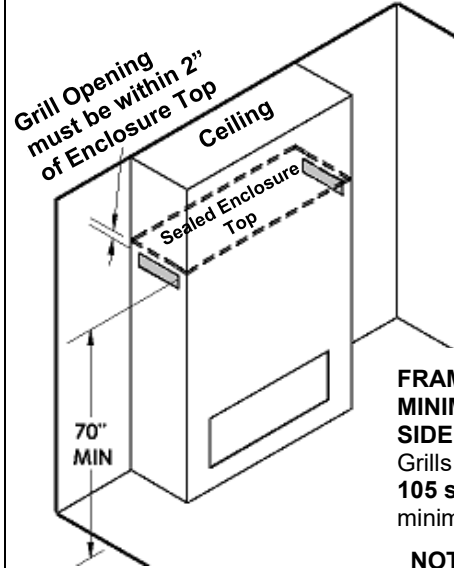
# VRB46 – Vented Chase – Style 2 – OPENING WITH GRILL

**VENTILATION PLATES MUST BE REMOVED**

Grill Opening must be within 2" of Enclosure Top



**FRAMING TO CEILING - MINIMUM ENCLOSURE-GRILLS AT FRONT AND BACK (to Second Room)**  
Each grill must be **105 square inches** free air minimum.

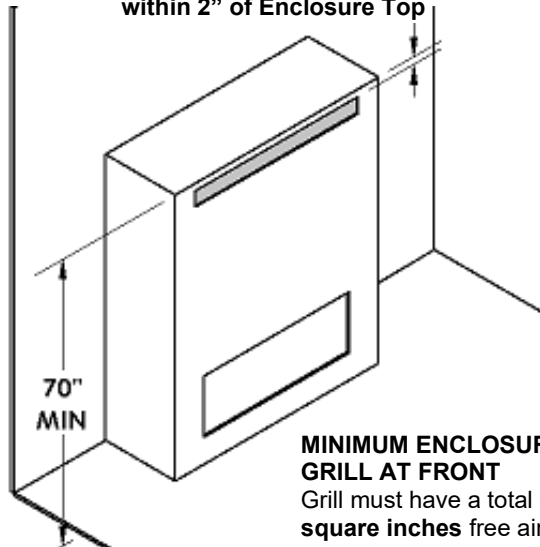


**FRAMING TO CEILING - MINIMUM ENCLOSURE-SIDE GRILLS**

Grills must have a total of **105 square inches** free air minimum.

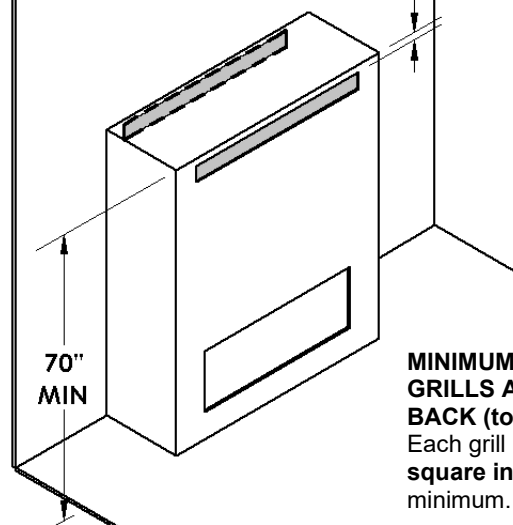
**NOTE:** Sides of enclosure must have equal sized grills.

Grill Opening must be within 2" of Enclosure Top



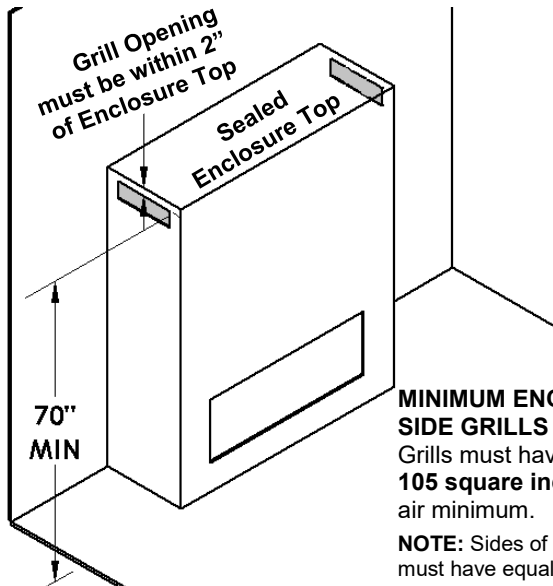
**MINIMUM ENCLOSURE-GRILL AT FRONT**  
Grill must have a total of **105 square inches** free air minimum.

Grill Opening must be within 2" of Enclosure Top

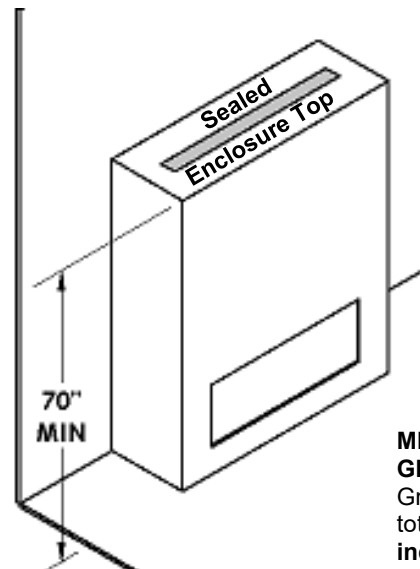


**MINIMUM ENCLOSURE-GRILLS AT FRONT AND BACK (to Second Room)**  
Each grill must be **105 square inches** free air minimum.

Grill Opening must be within 2" of Enclosure Top



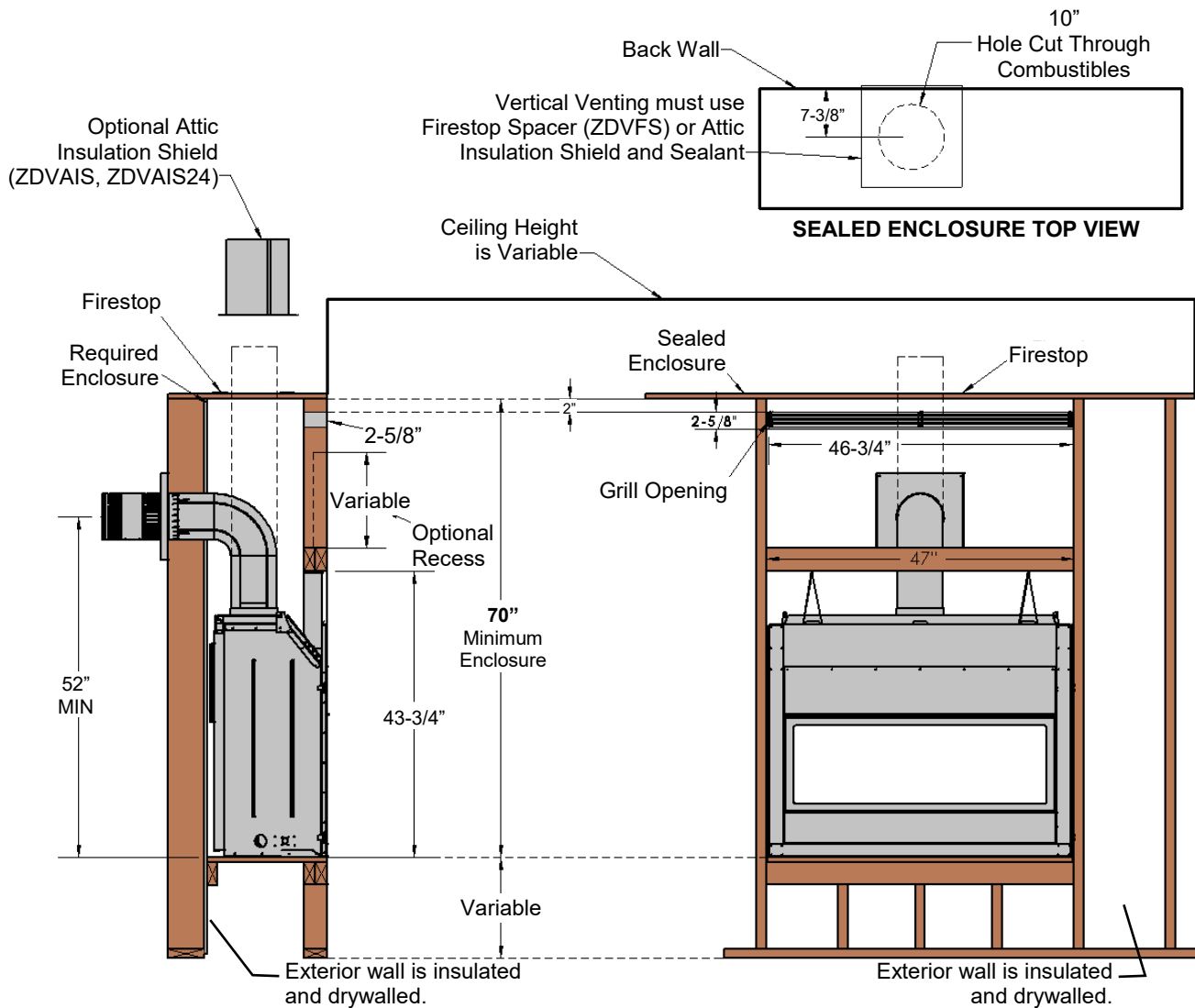
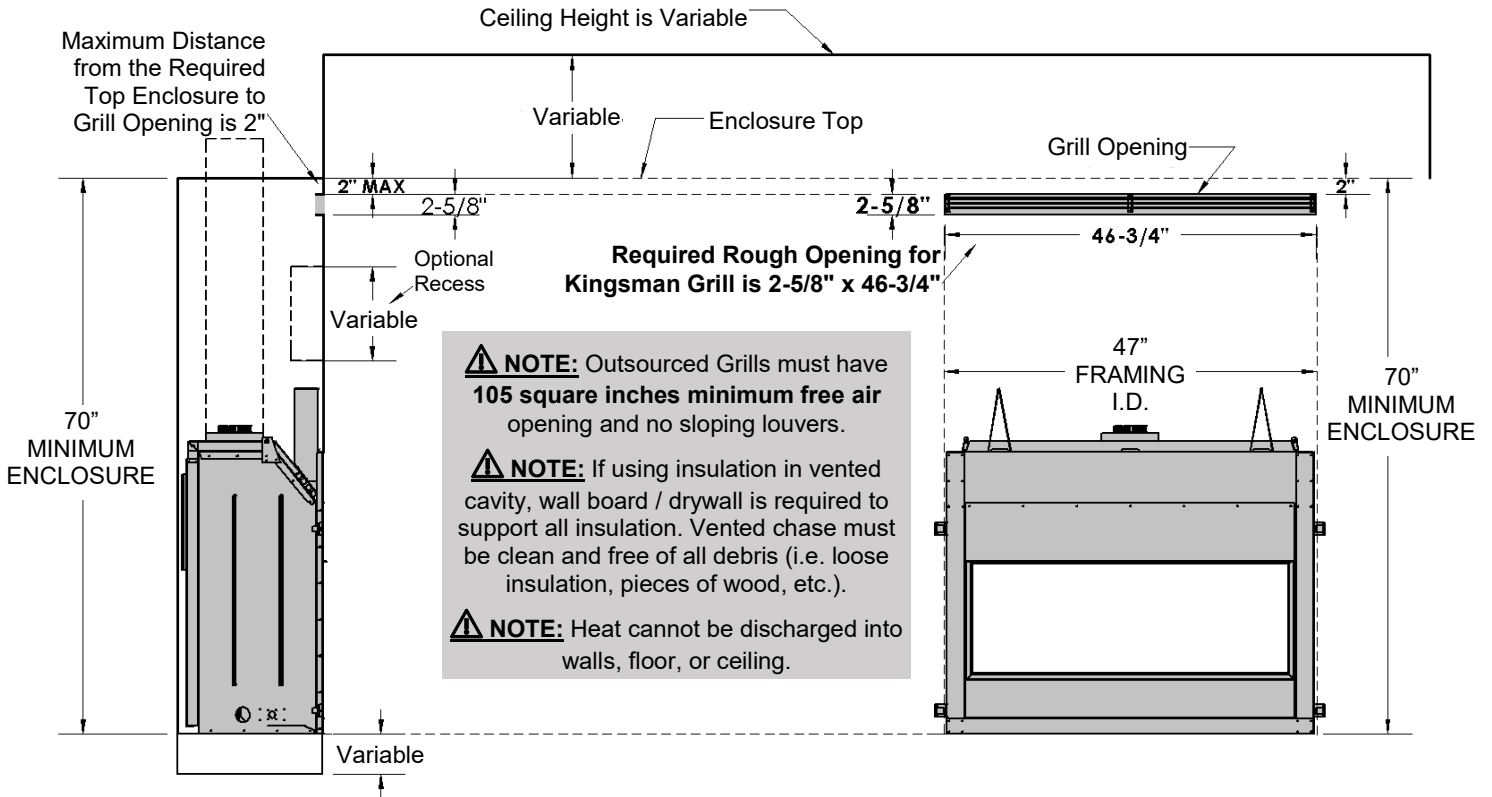
**MINIMUM ENCLOSURE-SIDE GRILLS**  
Grills must have a total of **105 square inches** free air minimum.  
**NOTE:** Sides of enclosure must have equal sized grills.



**MINIMUM ENCLOSURE-GRILL AT TOP**  
Grill area must have a total of **105 square inches** free air minimum.

# VRB46 –Vented Chase -Style 2 – OPENING WITH GRILL - Kingsman V46EG

VENTILATION PLATES MUST BE REMOVED.



# VRB46 V46EG Grill Installation

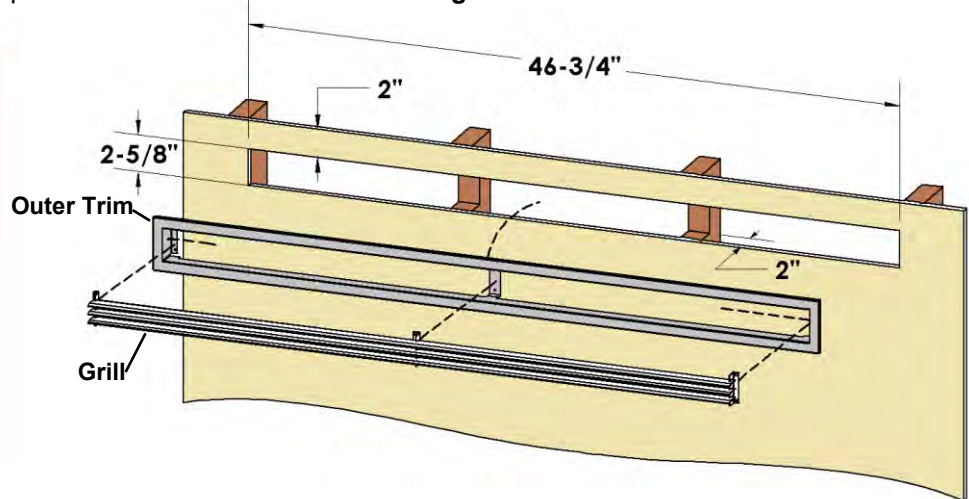
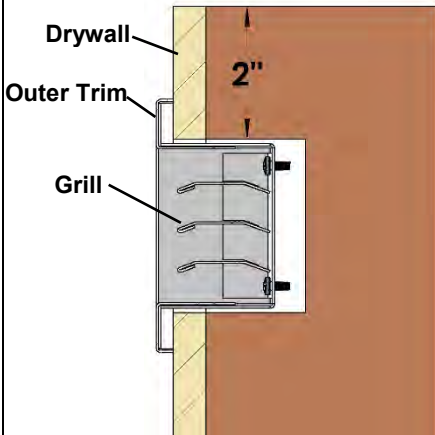
- Parts List:** [1] Louver Grill (ready to paint)  
[1] Outer Trim Grill Mount (ready to paint)  
[1] Upper Frame for Hidden Grill Mount  
[1] Lower Frame for Hidden Grill Mount  
[6] #6 Black Screws

This Kit comes with two installation options:  
**Outer Trim Grill Mount** - For a Quick and simple installation.  
**Hidden Grill Mount** - For a very clean installation with only the grill visible in the finished opening.

**⚠ Grill openings must be within 2" of enclosure top.  
See installation section of manual.**

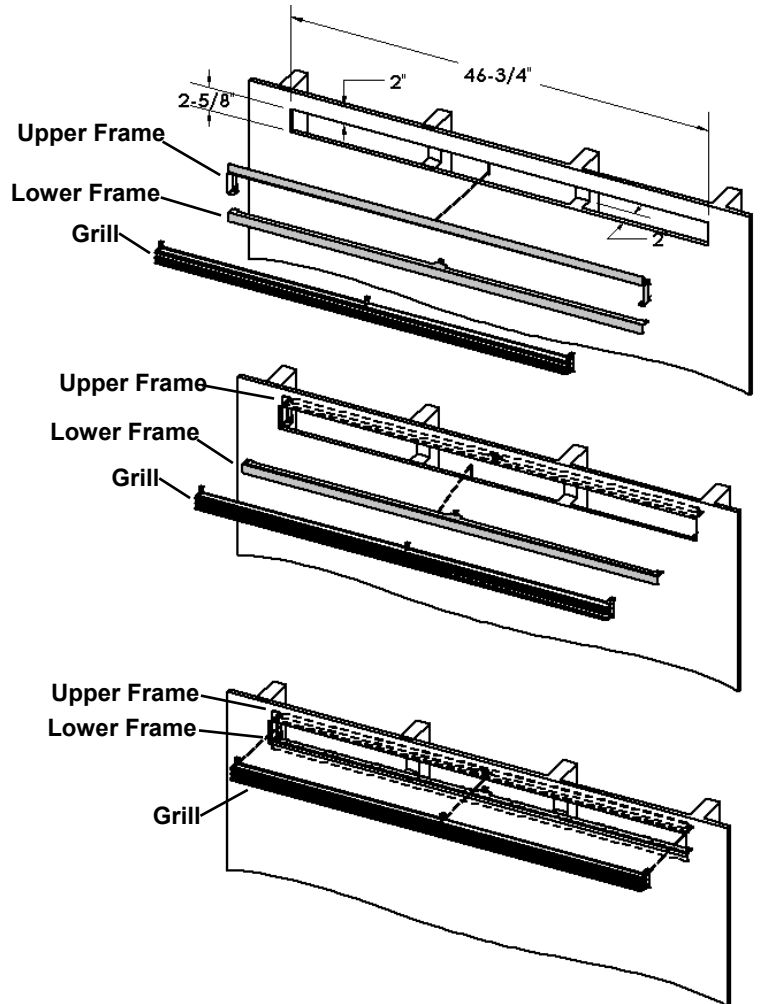
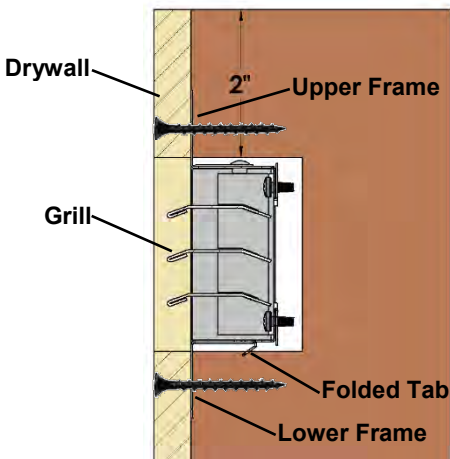
## USING OUTER TRIM MOUNT:

- Insert Trim into opening and fasten to framing with a wood screw at each end.
- Then insert Grill and attach with supplied #6 black screws. **Do not over tighten screws.**



## USING HIDDEN GRILL MOUNT:

- Insert Upper Frame into opening and push between drywall and framing studs. Attach to drywall with screws.
- Insert Lower Frame into opening and push between drywall and framing studs. Fold tabs at each of Lower Frame end to lock in place. Attach to drywall with screws.
- Completely finish wall.
- Then insert Grill and attach with supplied #6 black screws. **Do not over tighten screws.**

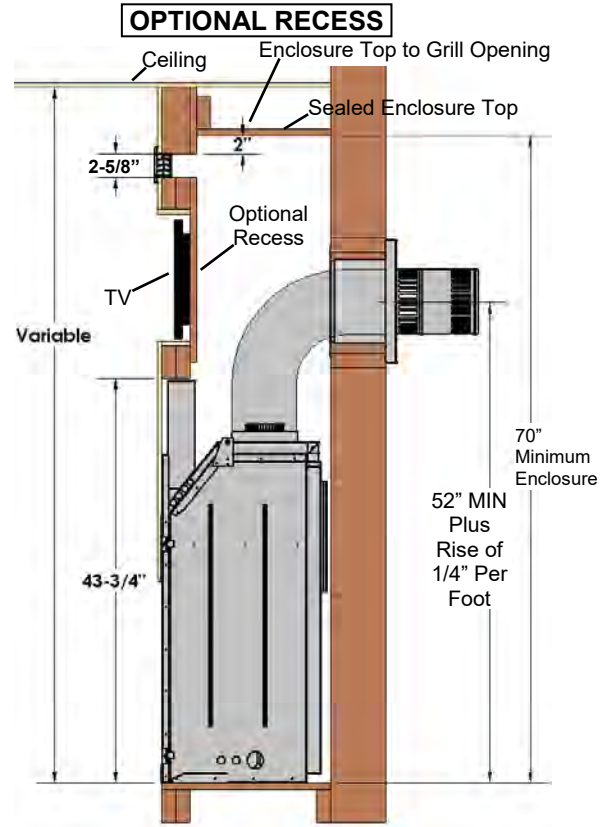
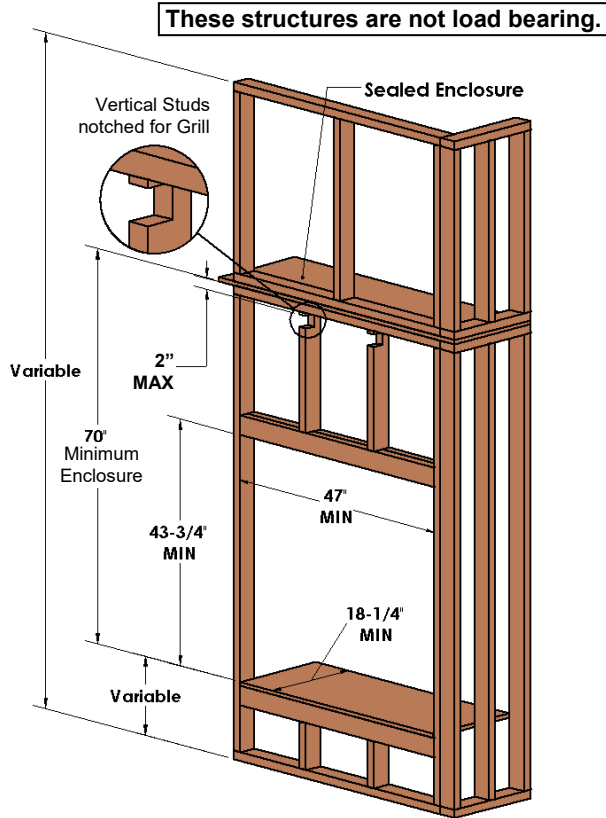


# VRB46 -Framing Dimensions –Vented Chase -Ventilation Plates Removed

Determine whether face of fireplace will be:

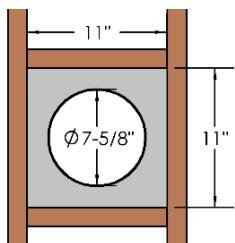
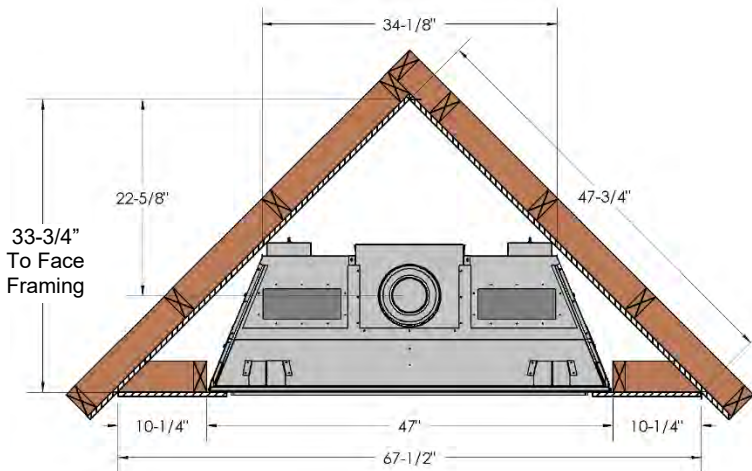
- flush with finished wall (e.g., for surround, cultured stone or other non combustible covering).
- flush with framing (to be covered with concrete board for a Flat Wall appearance).

Refer to Nailing Tab Guide section also.

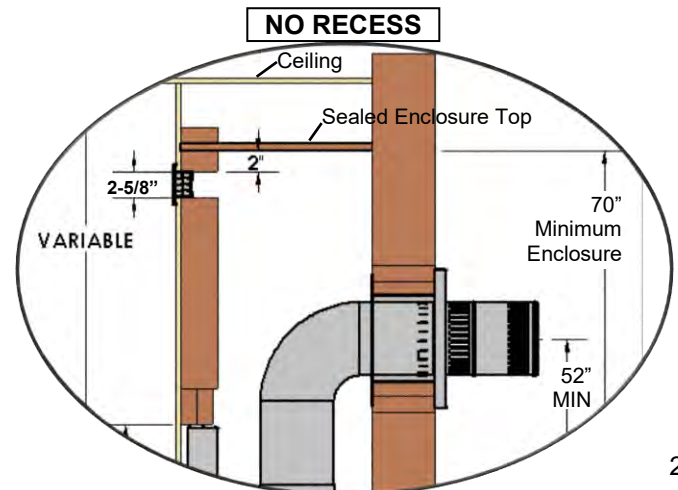
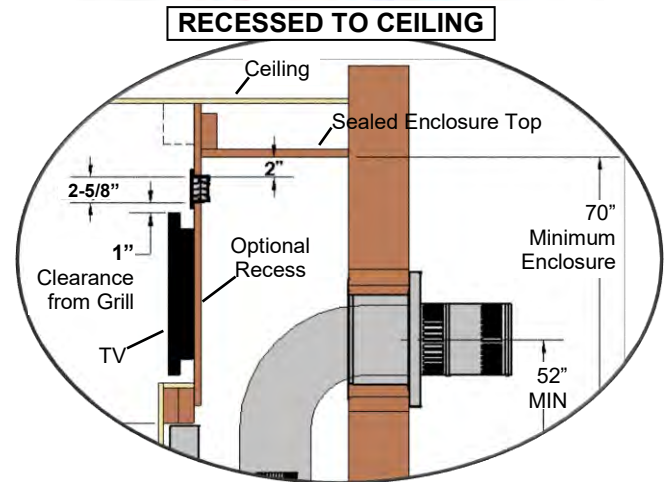


Note: If using optional surround, maximum thickness for non-combustible material is 3/4\".

**Vertical Venting MUST maintain 1\" clearance to combustibles.**



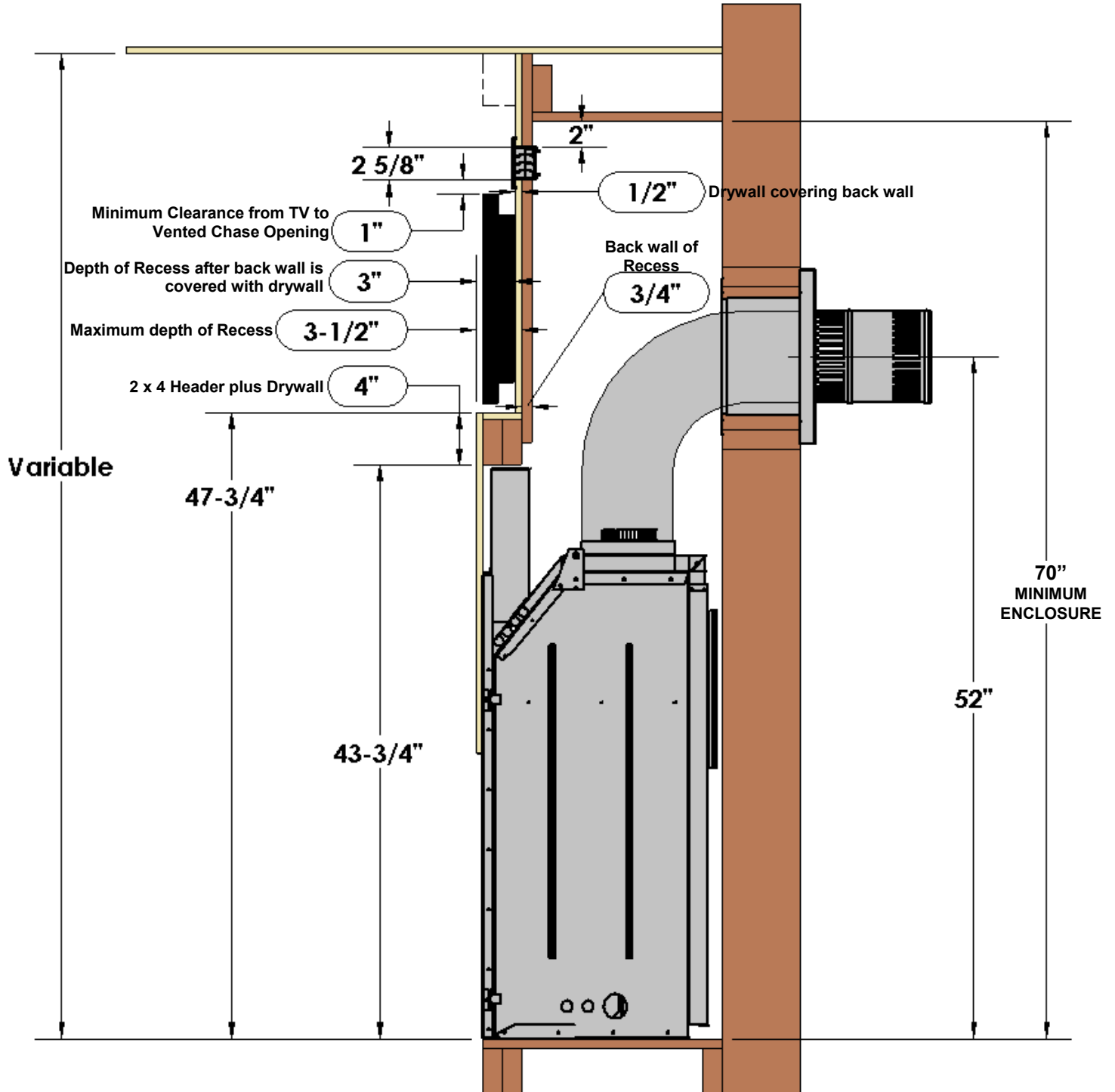
**Framing for Vent Termination (See Venting Section)**





## VRB46 – Optional Recessed Cavity Dimensions

- Recessed Cavity may begin immediately above top header (i.e. 4" for 2 x 4 with drywall).
- May be 3-1/2" deep, with up to 3/4" combustible on back wall (i.e. plywood). **NOTE:** If this surface is covered with drywall, recess will be 3" deep as shown below.
- Television should be minimum 1" away from opening of Vented Chase.



## VRB46 -Mantel Clearances –Vented Chase -Ventilation Plates Removed

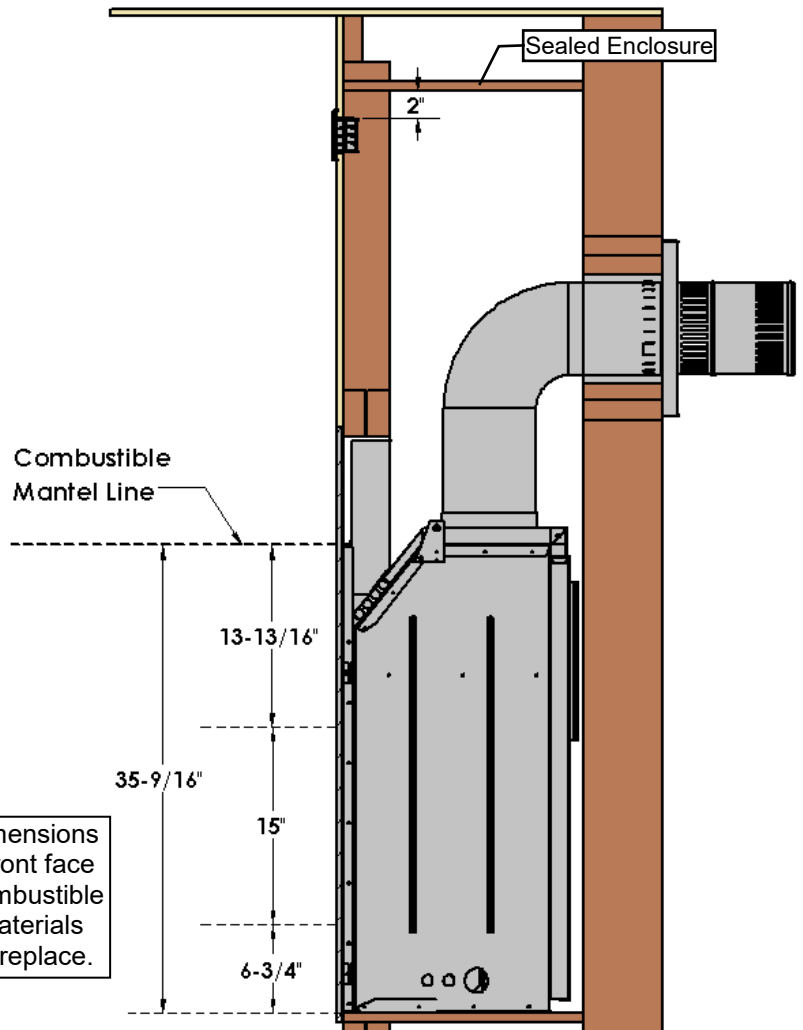
Before installing any mantels it is important to determine the combustibility of its material(s). There are two types of mantels to consider: Combustible and Non-Combustible.

A **Combustible Mantel** is one that consists of material(s) that may discolor, combust, or lose its integrity in the presence of heat. These types of mantels must strictly conform to the dimensional requirements shown.

Conversely, a **Non-Combustible Mantel** is one that is constructed with material(s) that will not combust. Check your local codes and regulations to determine whether your mantel is Combustible or Non-Combustible.

The advantage to Non-Combustible Mantels is that it may extend right up to the tile lip of the fireplace.

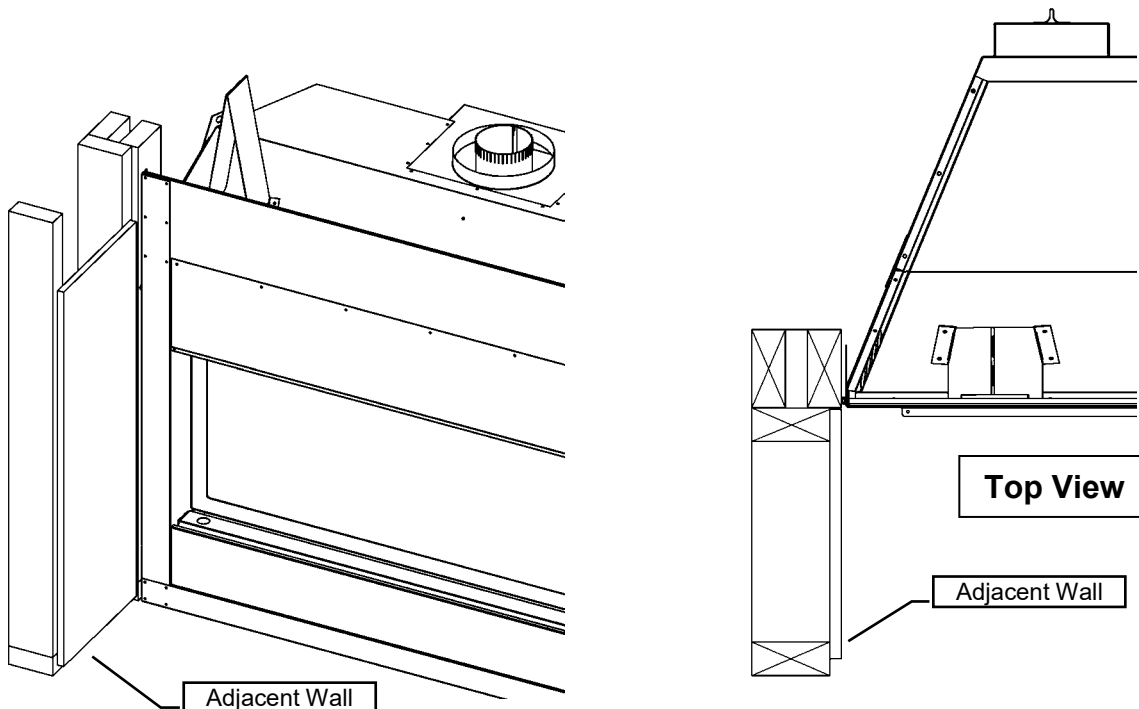
Combustible mantels must adhere to the dimensional restrictions shown.



**⚠️ Combustible Objects on Non-Combustible Mantel Warning-**  
Combustible objects must not be placed on a Non-combustible Mantel unless the mantel meets the dimensional requirements for a Combustible Mantel. Determine whether your mantel conforms to the requirements of a Combustible Mantel.

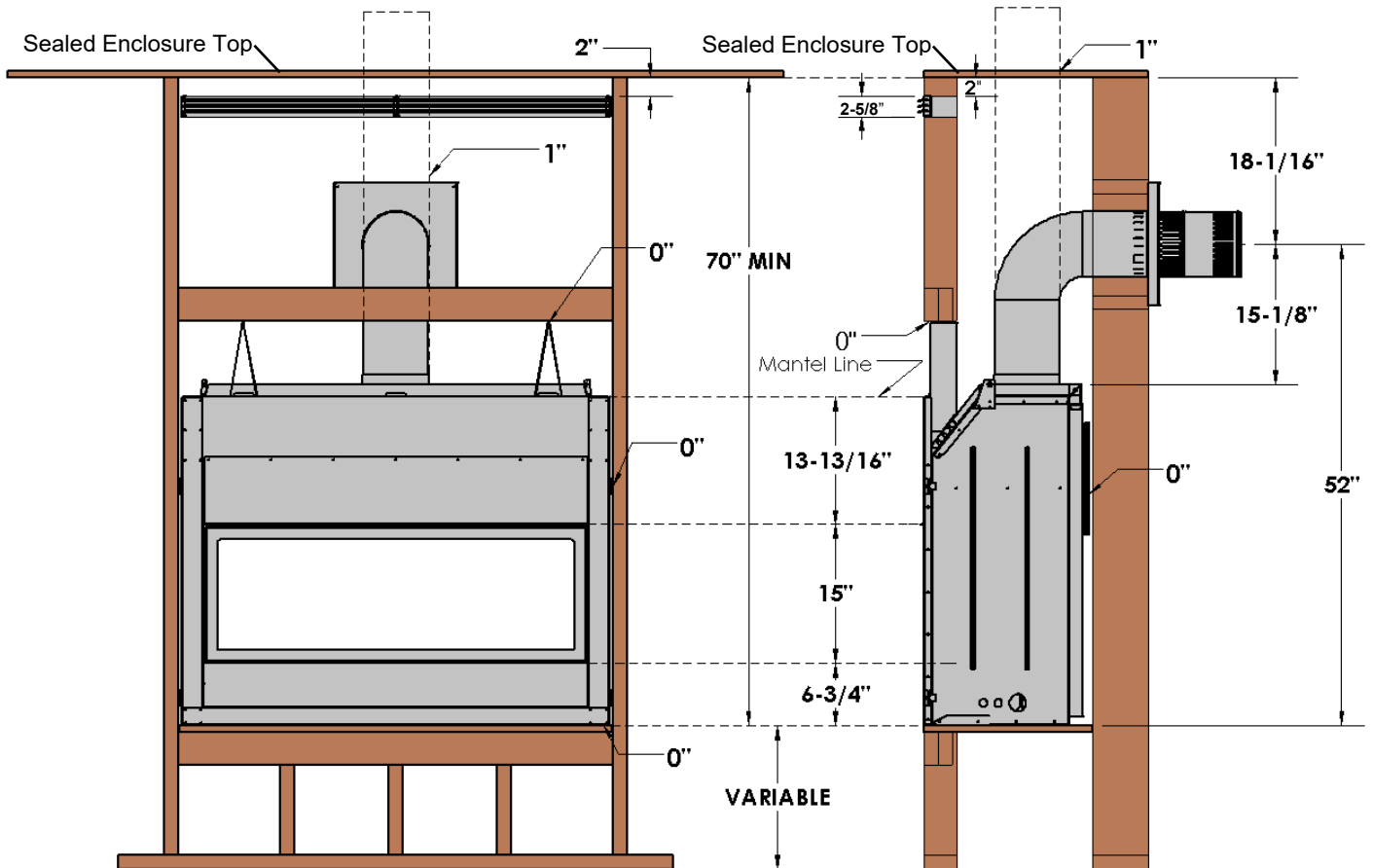
Mantel Dimensions are from front face or Non-Combustible Facing Materials covering fireplace.

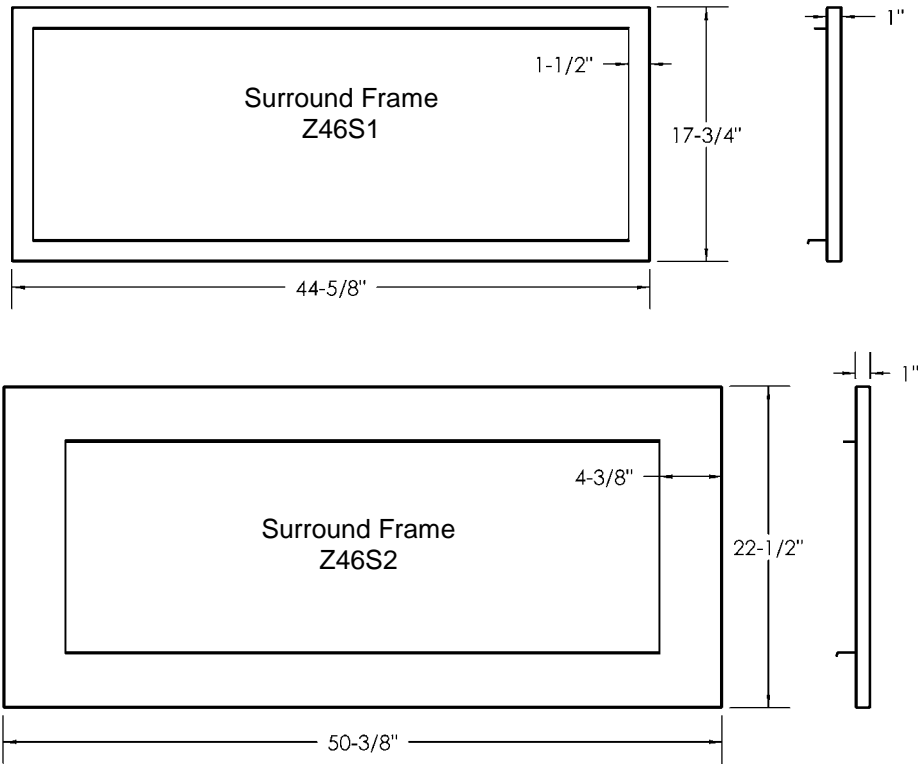
## Mantel Leg Clearances



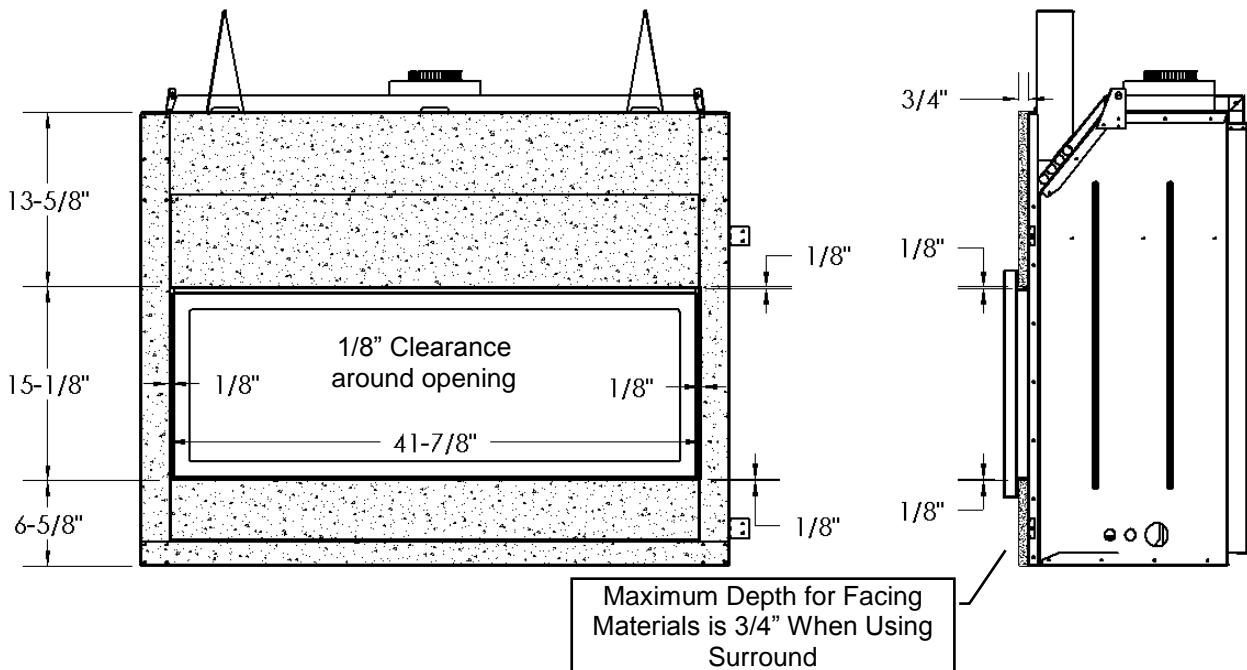
# VRB46 -Clearance to Combustibles –Vented Chase -Ventilation Plates Removed-

| Clearance to Combustibles                         | VRB46 Vented Chase          |
|---|-----------------------------|
| Front   | 36" [92cm]                  |
| Back (from Stand-offs)                            | 0" [0cm]                    |
| Side (from Stand-offs)                            | 0" [0cm]                    |
| Floor   | 0" [0cm]                    |
| Minimum Ceiling Height (from bottom of fireplace) | 70" [179cm]                 |
| Top (from Stand-offs)                             | 0" [0cm]                    |
| Top of 90° Bend in minimum Enclosure of 70"       | 4" [10.2cm]                 |
| Top of 90° Bend in Enclosure over 70"             | 4" [10.2cm]                 |
| <b>VENTING SYSTEMS</b>                            |                             |
| Top of Horizontal Pipe                            | 1/1/2" [3.8cm]              |
| Side & Bottom of Horizontal Pipe                  | 1" [2.5cm] All Vent Systems |
| Vertical Vent Pipe                                | 1" [2.5cm] All Vent Systems |





- The Surround Frames are 1" thick, with a 3/4" space behind the frame.
- When using Surrounds, Maximum Thickness for Non-Combustible Facing Materials is 3/4".
- The Fireplace may be covered up to within 1/8" of the Fireplace Opening with non-combustible materials.

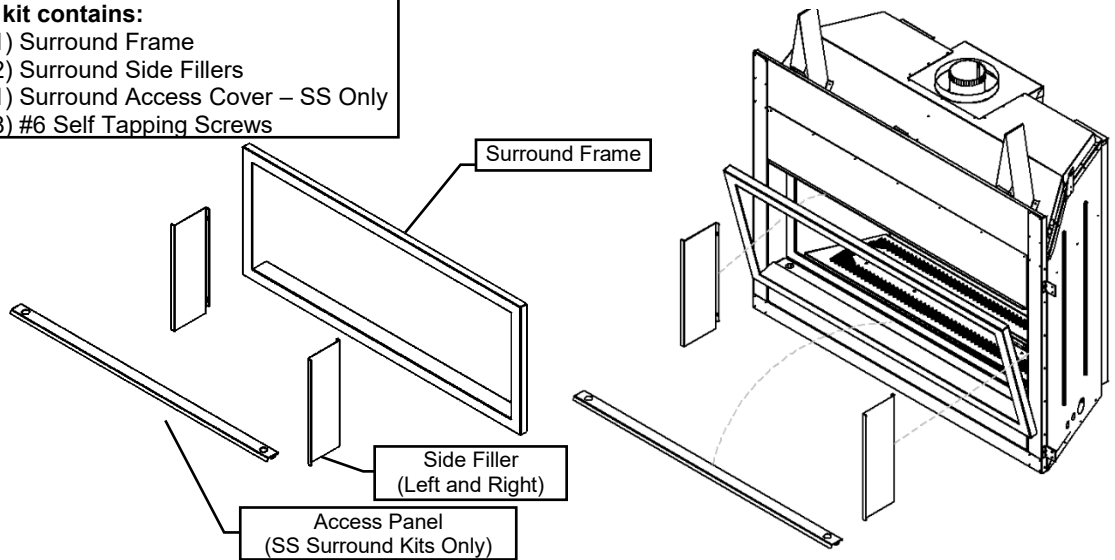


**Small Surrounds:**  
 (44-5/8"W x 17-7/8")  
 ZRB46S1BL  
 ZRB46S1SS

**Large Surrounds:**  
 (50-1/2"W x 22-1/2")  
 ZRB46S2BL  
 ZRB46S2SS

**Each kit contains:**  
 (Qty-1) Surround Frame  
 (Qty-2) Surround Side Fillers  
 (Qty-1) Surround Access Cover – SS Only  
 (Qty-8) #6 Self Tapping Screws

The Surround Frames are 1" thick, with a 3/4" space behind the frame. The Fireplace may be covered up to within 1/8" of the opening with non-combustible materials.



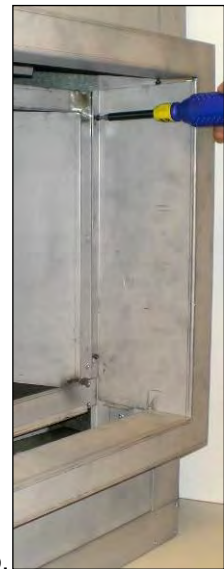
1.



2.



3a.



3b.

1. Hook lower ledge of Surround Frame onto the Lower Front Face Panel of the fireplace. With top of Frame tilted outward, slide Side Fillers behind Surround Frame.
2. Push Surround Frame into place and install using the existing screw holes in the tile lip. Front Edge of the Side Filler must rest between Surround Frame and Fireplace.
3. Fasten the Side Fillers to the fireplace using the two [2] existing holes on either side of the firebox opening.



4. Replace the Glass Door. Put Access Cover in place.

**NOTE:**

Cotton gloves **must** be worn to protect the finish during installation and handling.

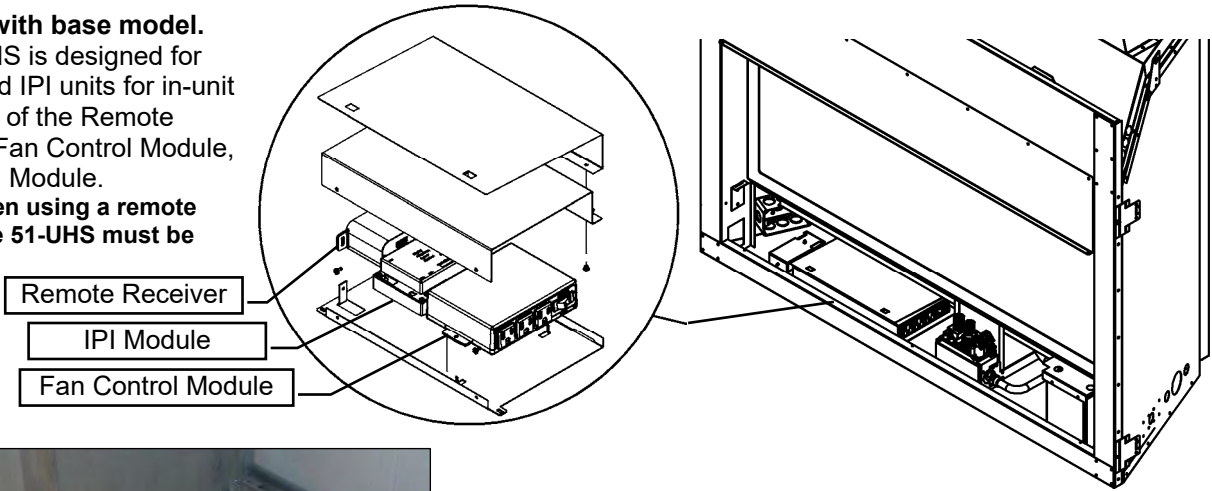
All hand and finger marks **must** be cleaned off with a soft cloth and light detergent prior to applying heat to the unit.

Stainless panels may discolour a little during normal operation. This is normal and should not be considered a defect.

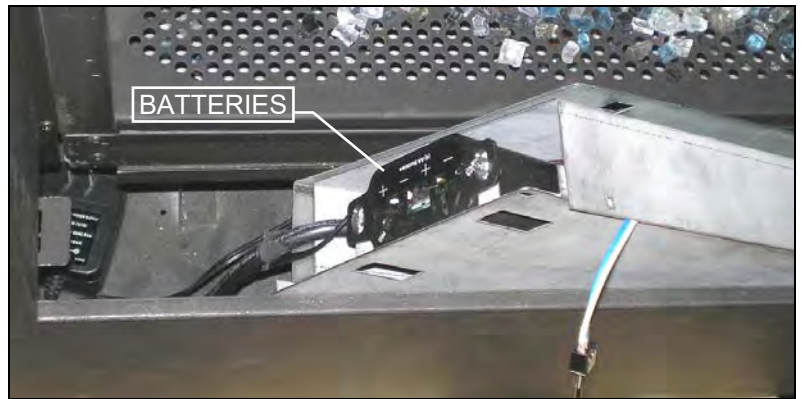
**Included with base model.**

The 51-UHS is designed for millivolt and IPI units for in-unit installation of the Remote Receiver, Fan Control Module, and the IPI Module.

**NOTE: When using a remote control, the 51-UHS must be used.**



51-UHS can be inserted & removed from beneath fireplace through access panel opening (Remove glass door first).

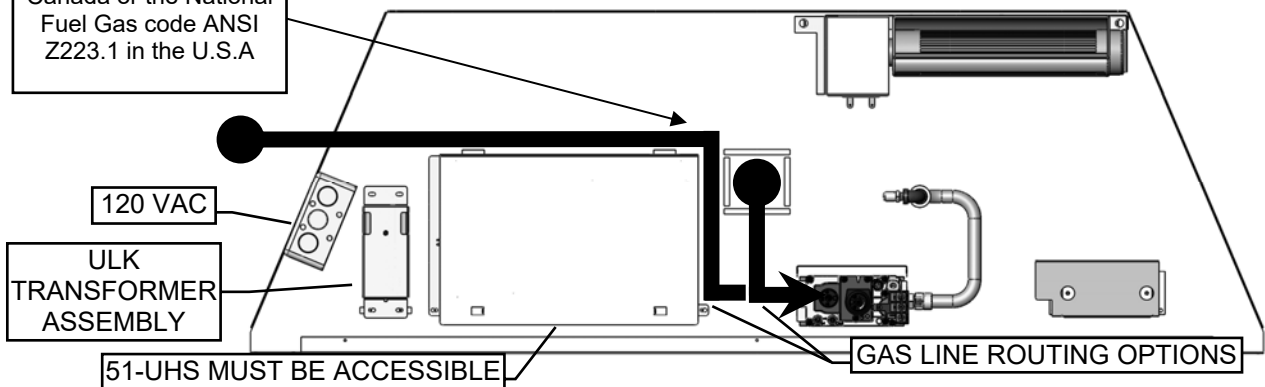
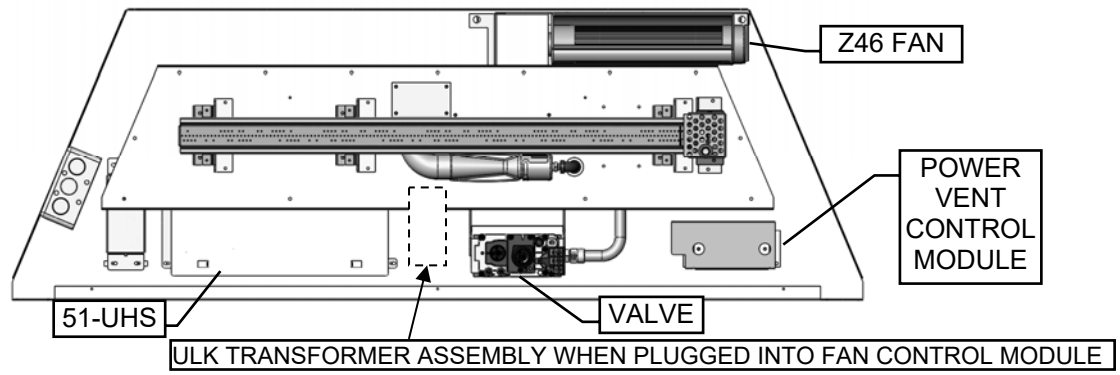


Batteries for Remote Receiver can be changed by lifting 51-UHS up through opening.

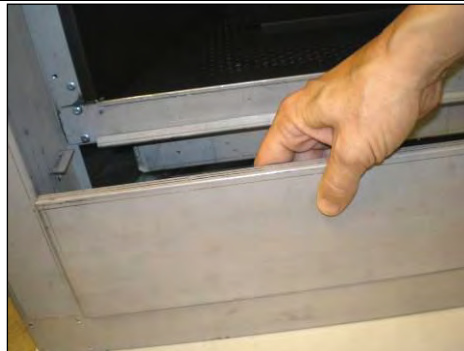
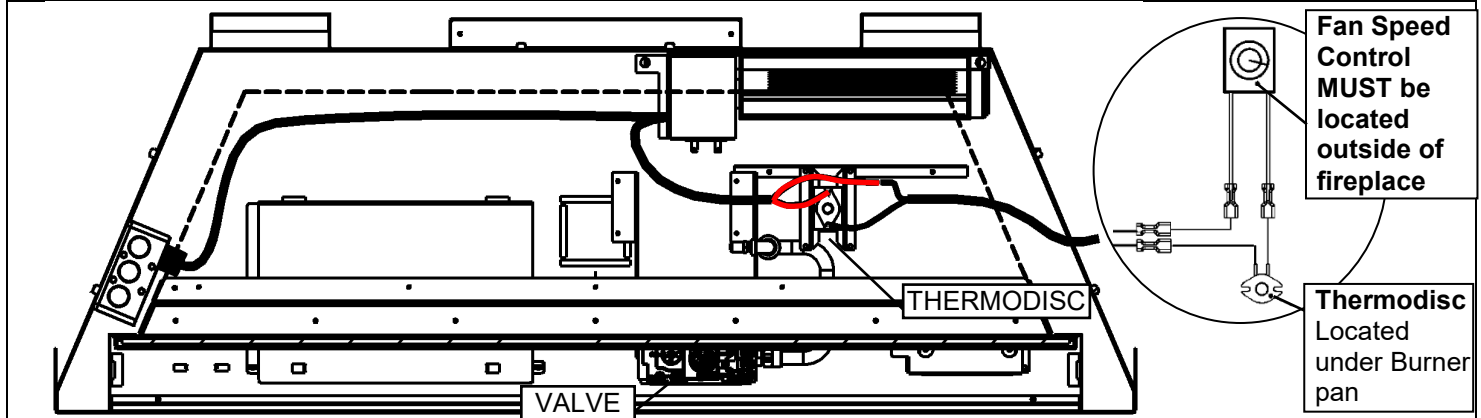
**COMPONENT LOCATIONS**

(See Each Section For Connections & Wiring)

**NOTE:** The gas line connection may be made of 1/2" rigid pipe or an **Approved Kingsman Flex Connector, such as FP15GC**. Since some municipalities have additional local codes, it is always best to consult your local authorities and the current CAN/CGA - B149.1 or .2 installation code in Canada or the National Fuel Gas code ANSI Z223.1 in the U.S.A



Fan Kit should be installed **before** facing material is applied or surround is installed. To **remove** fan for service, the burner pan must be removed and work done through the opening (See **Burner System Removal** section).



1. Remove Lower Face Panel (See **Removable Lower Face Panel** Section in manual).

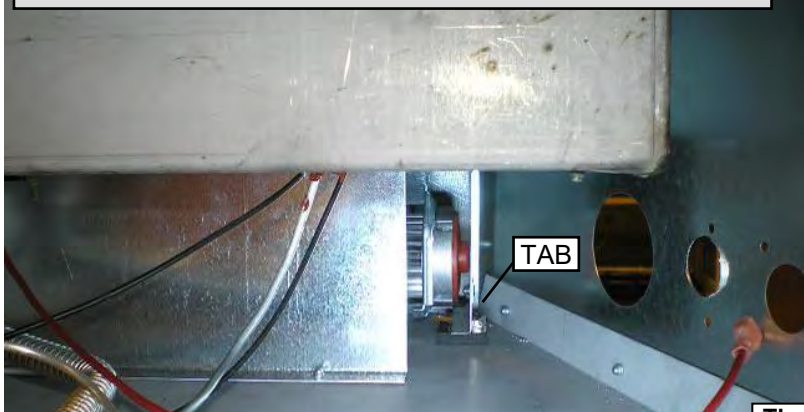


2. Lift UHS Box out of Unit

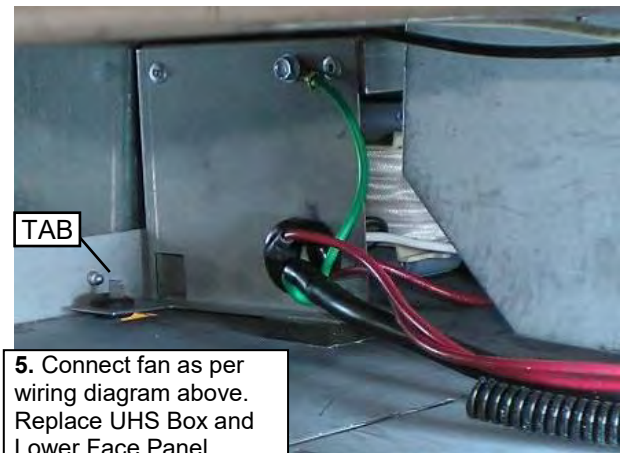


3. Insert fan and place at right rear corner of unit. See Component Locations Section in manual.

**NOTE: Do not allow cords or wires to come into contact with the firebox or the underside of the burner pan.**



4. Mount fan on tabs



**Thermodisc** is located on Slider to the right of valve. To replace pull handle out. Replace Thermodisc. Slide back in.

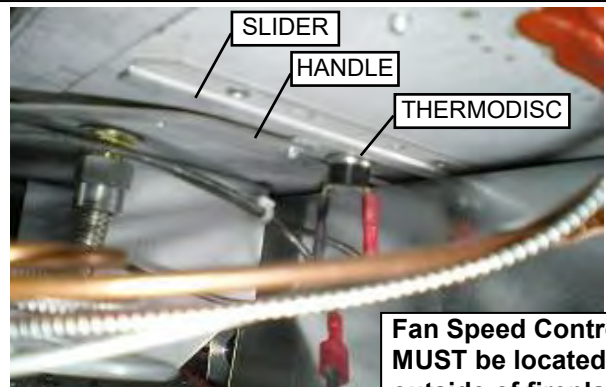
**⚠WARNING**

**Electrical Grounding Instructions**

This appliance is equipped with a three prong (grounding) plug for your protection against shock hazard and should be plugged directly into a properly grounded three-prong receptacle. Do not cut or remove the grounding prong from this.

**Before Servicing**

1. Ensure all power supply is shut off.
2. Label all wires prior to disconnecting when servicing control. Wiring errors can cause improper and dangerous operation.
3. For fan servicing: Vacuum and clean lint/dirt build-up on the fan blades and motor.
4. When resealing the Burner Pan, use **Millpac**.



# Split Receptacle- Fan Speed Control Outside of Fireplace

If you plan to locate the variable speed control switch for the fan outside of the fireplace and you require a constant source of AC power inside the unit for another accessory such as lights or an IPI valve system, follow one of the procedures below.

## ⚠ WARNING

A qualified electrician must connect electrical wiring to junction outlet for built-in installation.

**Follow all codes.**

## ⚠ WARNING

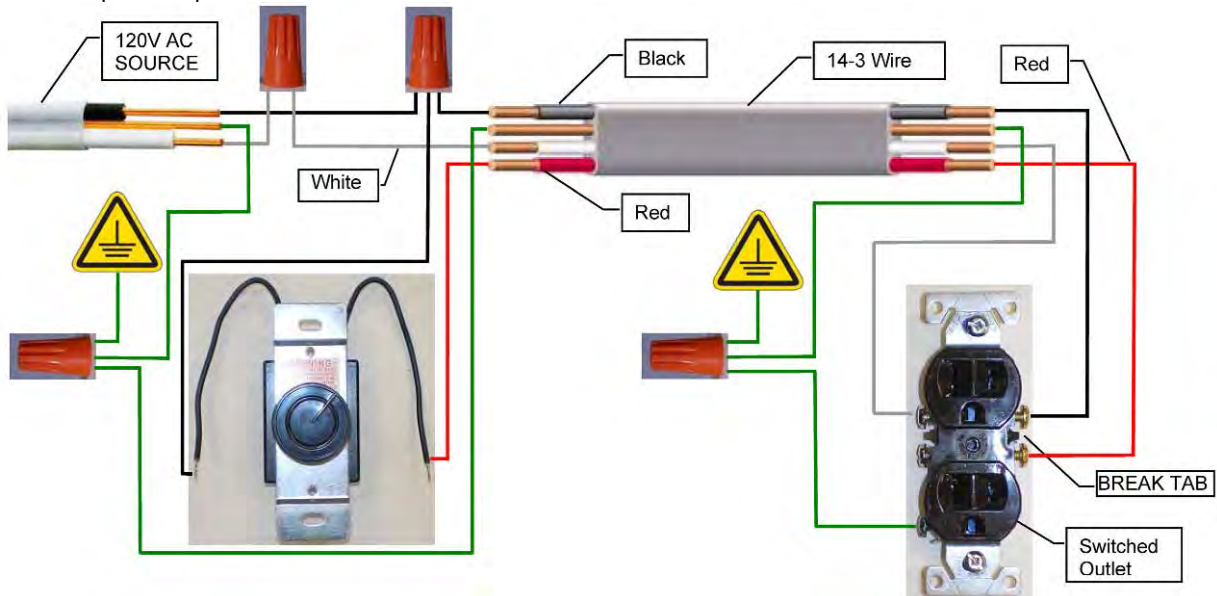
**Electrical Grounding Instructions –**  
This appliance is equipped with a three – pronged (grounding) plug for your protection against shock hazard and should be plugged directly into a properly grounded three-prong receptacle.

## ⚠ WARNING

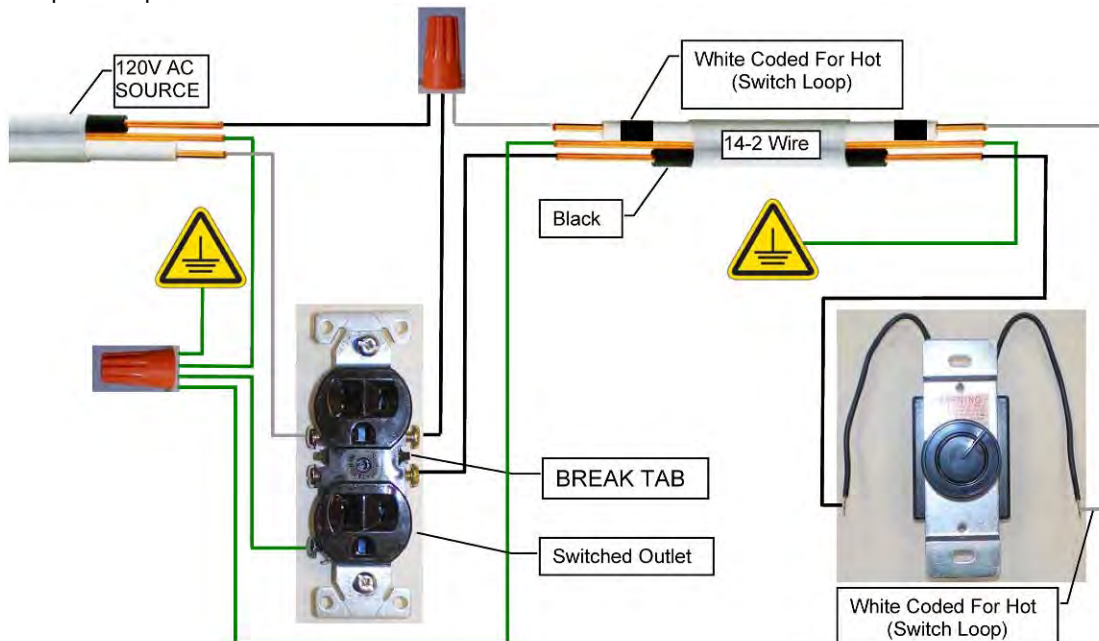
Label all wires prior to disconnection when servicing controls. Wiring errors can cause improper and dangerous operation. Verify proper operation and servicing.

**⚠ Caution:** Electrical installation to be done by a qualified installer. All wires must be connected and grounded in accordance with CSA Standard C22.1- Canadian Electrical Code part 1 or with the National Electrical Code, ANSI /NFPA 70 (latest edition) and /or in accordance with local codes.

Switch Controlled Split Receptacle With Switch At START Of Cable Run



Switch Controlled Split Receptacle With Switch At END Of Cable Run





## Door and Glass Information

### Glass Cleaning

It will be necessary to clean the glass periodically. During start-up, condensation, which is normal, forms on the inside of the glass and causes dust, lint etc. to cling to the glass surface. Also, initial paint curing can deposit a slight film on the glass. It is therefore recommended that initially the glass be cleaned two or three times with non-abrasive common household glass cleansers and warm water. After that, the glass should be cleaned two or three times a season depending on the circumstances.



#### Warning and Cautions.

- Do not clean when the glass is hot.
- Do not use abrasive cleaners.
- Using a substitute glass will void all product warranties.
- Do not strike or abuse glass. Care must be taken to avoid breakage of the glass.
- Do not operate this fireplace without the glass front or with a broken glass.

### Glass Replacement

#### REPLACEMENT GLASS FOR DIRECT VENT UNITS

Model Series XRB46 must use tempered glass. Must be 5mm thick.

To replace glass, clean all materials from door frame. Scrape off old silicone down to metal. Using a high heat silicone temperature-resistant to 500°F (260°C) apply a continuous bead of approximately 1/4" to all four sides of frame and insert glass with new gasket. Frame should be on flat surface, with a small amount of weight pressing glass into silicone. Let dry approximately 15 to 20 minutes. The door can be re-installed by reversing Steps 1 & 2. Use caution when removing broken or damaged glass. Wear gloves.

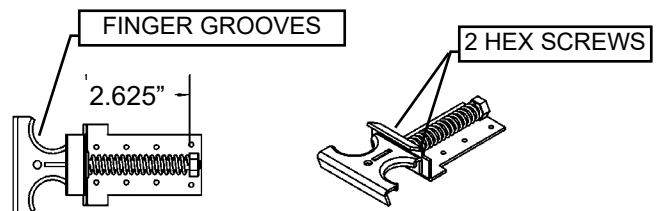
### Removal of the Glass Door VRB46

1. Remove the door by unlatching the 2 top latches. Simply place 2 fingers in the grooves, pull towards you and lift upwards slightly.
2. Once the top of the door is unlatched, simply pull outwards and lift upwards to unlatch the bottom.
3. When re-installing the door place the bottom of the door in first and secure with Top Latch assembly to the door.

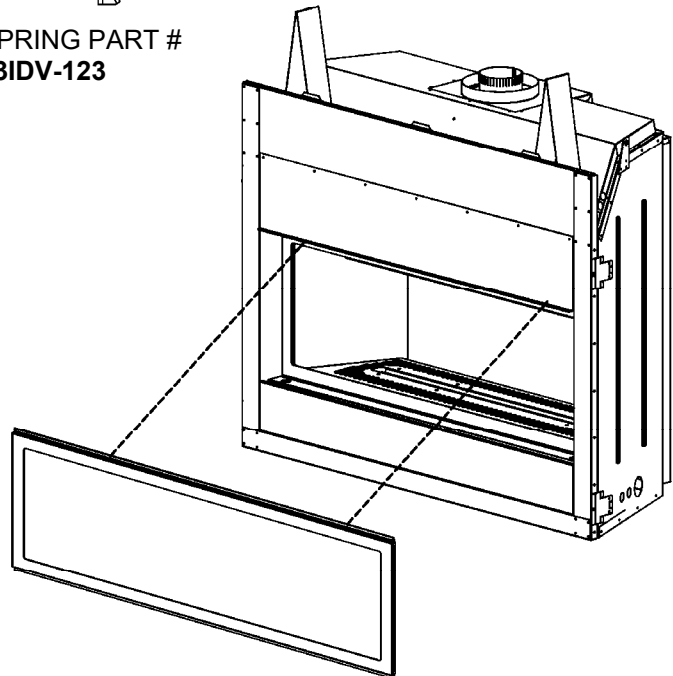
### Spring Replacement: VRB46

\*Over time, spring may need to be replaced if tension is lost.

1. To remove the top latch, remove the 2 hex screws that secure it in place. They are located in the firebox.
2. Once all the screws are removed the latches will slide out of place.
3. There is 1 lock nut per latch. When replacing a spring, tighten the lock nut until 2 threads are beyond the locknut. This is critical for proper tension.



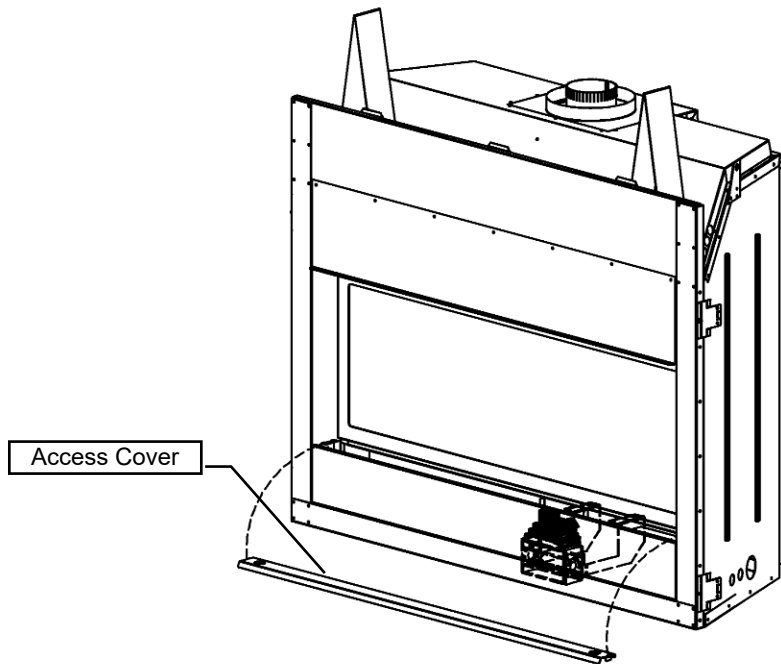
SPRING PART #  
**33IDV-123**



## VRB46

## Valve Access Cover Removal

Remove Valve Access Cover in order to access igniter and valve controls. To remove Valve Access Cover, simply insert fingers into holes in Access Panel and lift out. When replacing Access Panel, engage Tabs into Slots in Bracket.



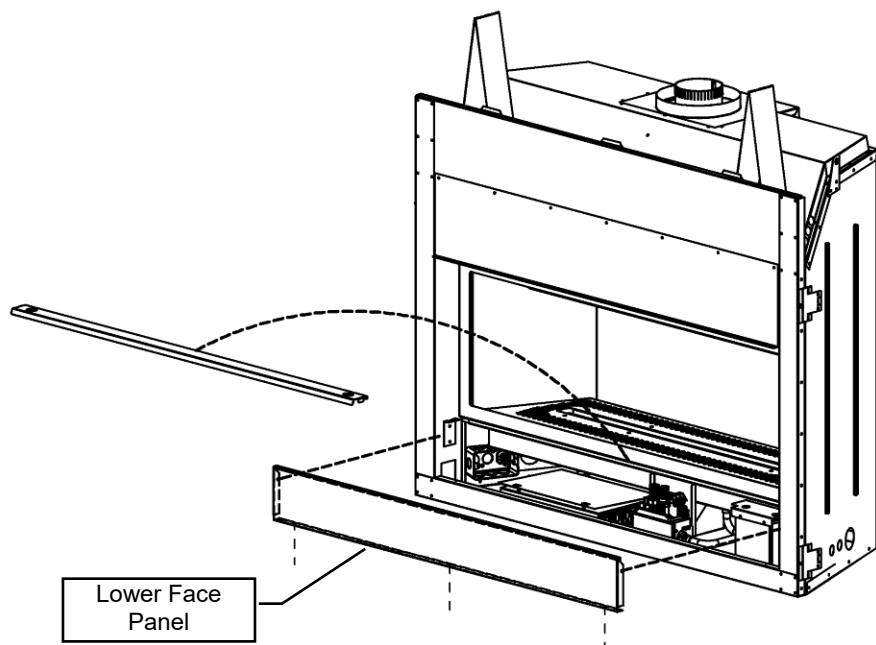
## VRB46

## Removable Lower Face Panel

### Installers Note:

The Lower Face Panel is removable. This allows all necessary gas line and electrical connections to be made easily. Once the installation is complete attach the Lower Face Panel with the supplied screws. The Lower Face Panel must be on the unit **Before** Facing Materials are applied.

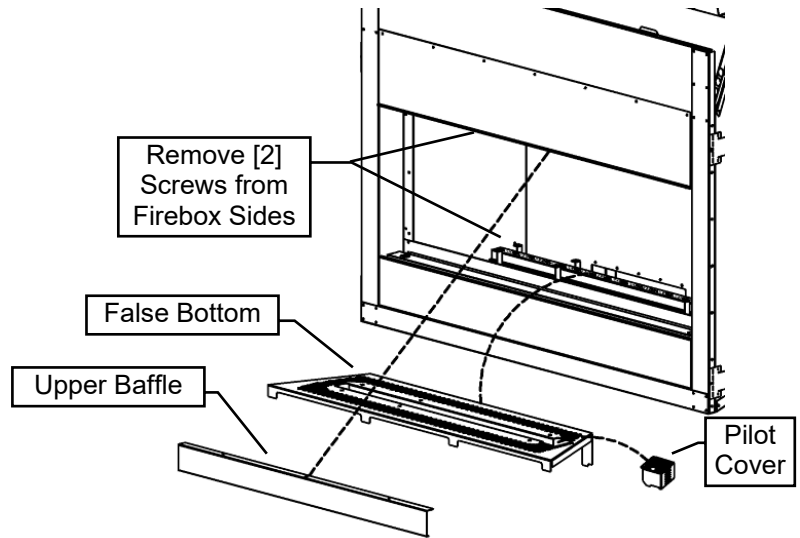
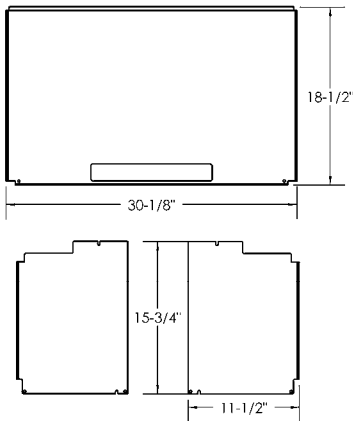
**Note:** Once Facing Materials are applied, removal of the Lower Face Panel will not be possible.





**Warning:** Failure to position the parts in accordance with these diagrams or failure to use only parts specifically approved with this appliance may result in property damage or personal injury.

ZRB46PRL consists of:  
 [1] – Back Liner  
 [1] – Left Side Liner  
 [1] – Right Side Liner



Remove False Bottom, Pilot Cover, and Upper Baffle.



Insert Back Liner. Tilt Side Liners into place and attach to firebox with Screws removed from sides of firebox. Replace all components.



**Note:** Warping and Discoloration of Porcelain or Painted Metal Liners Is Not Covered Under Warranty. Both Porcelain and Painted Metal Liners may discolor and warp during normal operation of your appliance. This is normal, and not considered a defect.

# VRB46PL

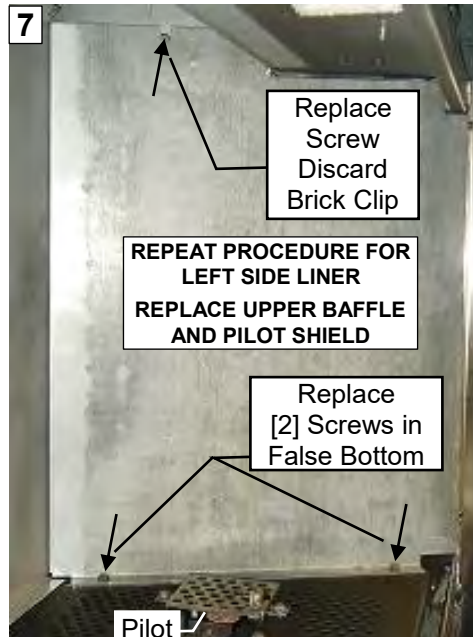
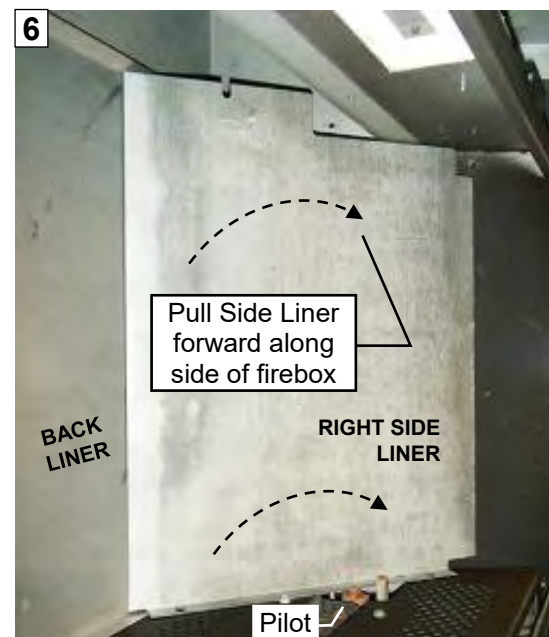
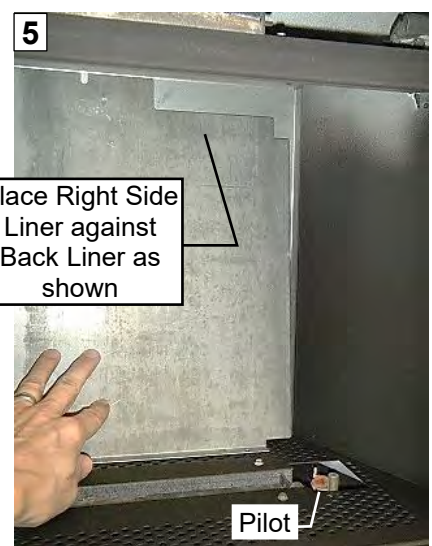
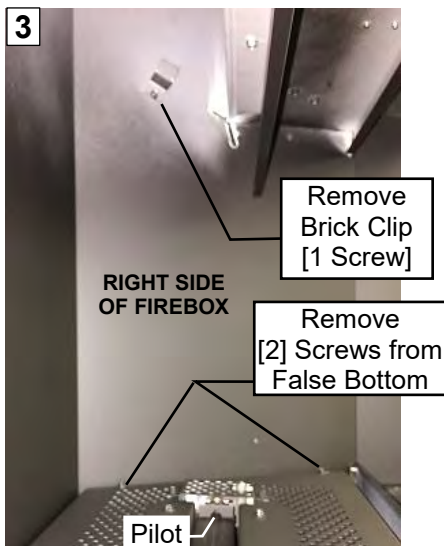
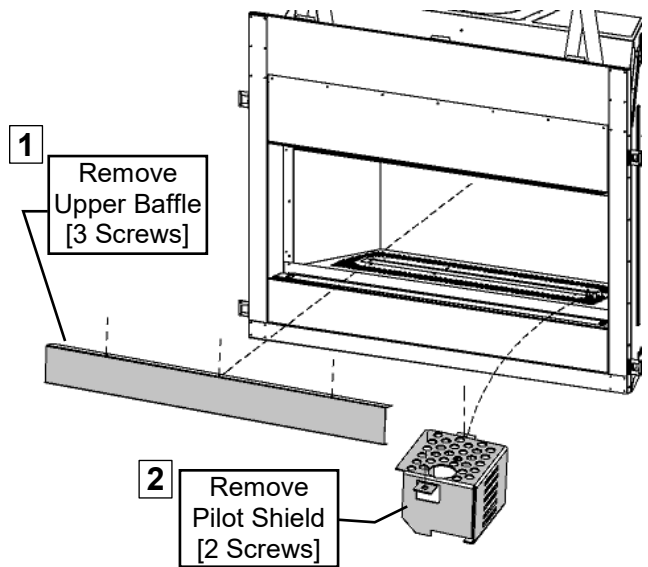
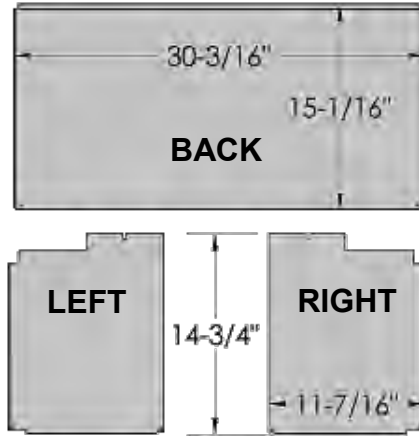
# Liner Installation

### VRB46PRL Parts List:

- [1] – Back Liner
- [1] – Left Side Liner
- [1] – Right Side Liner

#### **⚠ Warning:**

Failure to position the parts in accordance with these diagrams or failure to use only parts specifically approved with this appliance may result in property damage or personal injury.



**⚠ Note: Warping and Discoloration of Porcelain or Painted Metal Liners is Not Covered Under Warranty.**

Both Porcelain and Painted Metal Liners may discolour and warp during normal operation of your appliance. This is normal, and not considered a defect.

# MQVRB46RLF

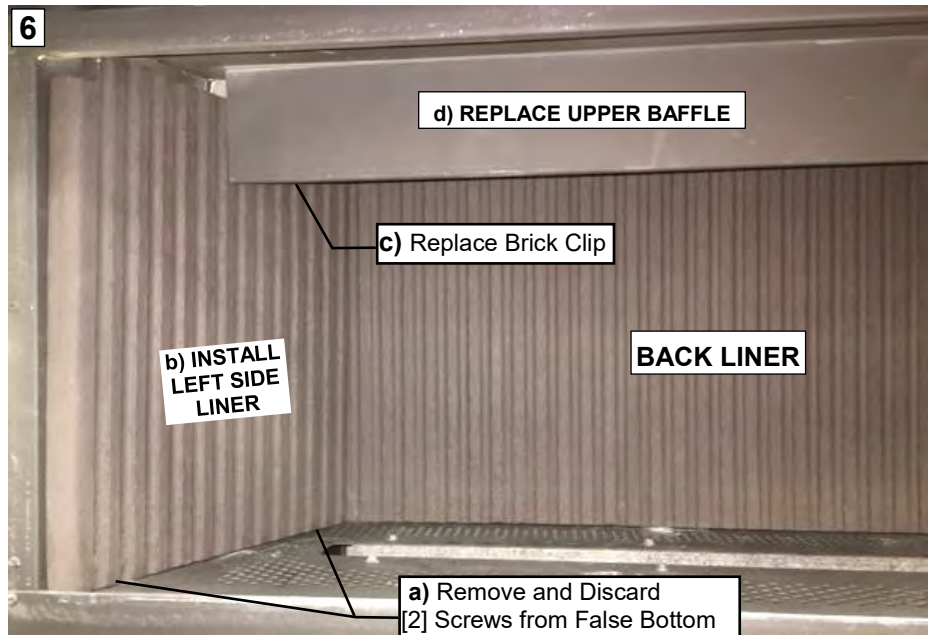
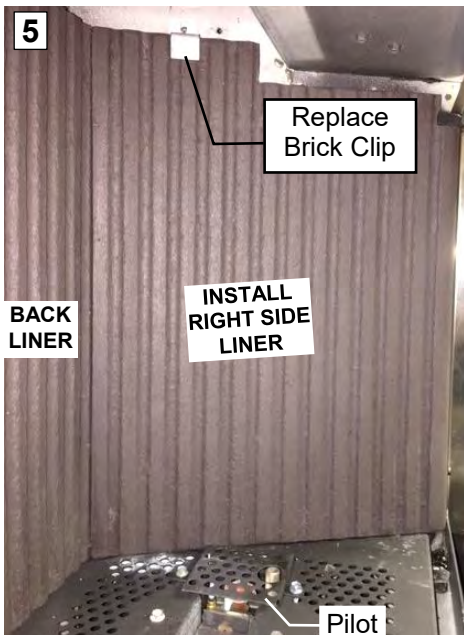
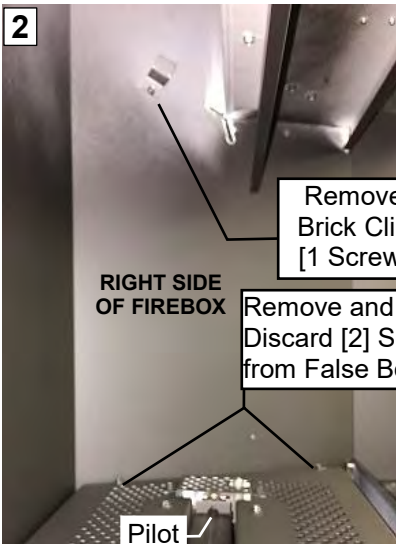
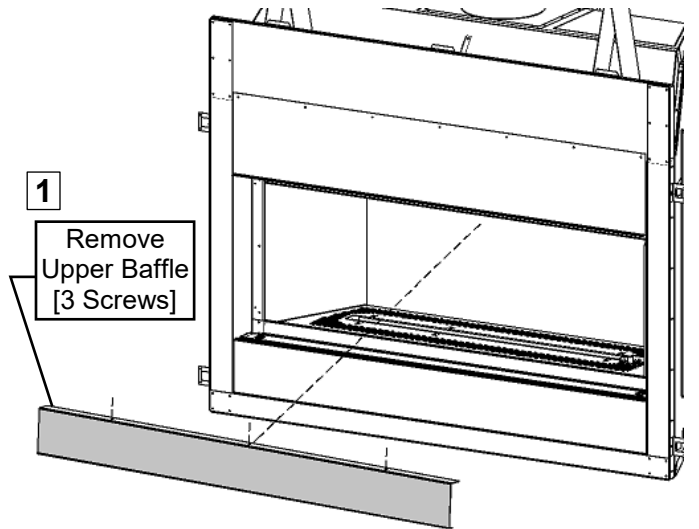
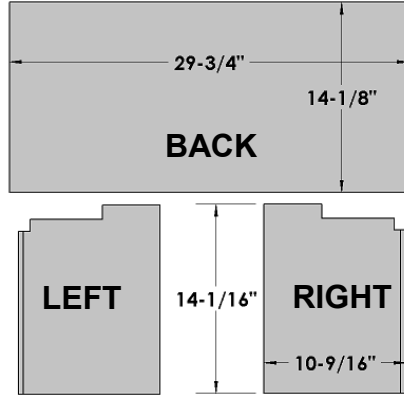
# Liner Installation

## MQVRB46RLF Parts List:

- [1] – Back Liner
- [1] – Left Side Liner
- [1] – Right Side Liner

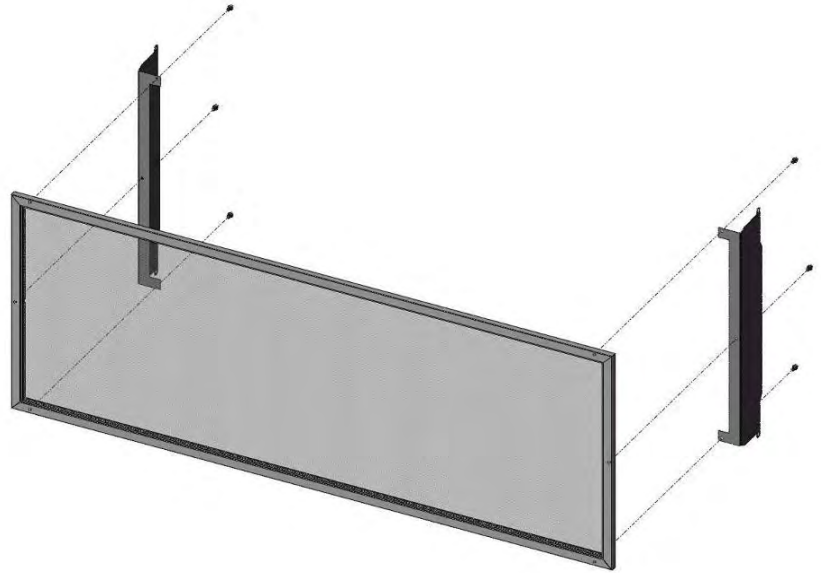
### ⚠ Warning:

Failure to position the parts in accordance with these diagrams or failure to use only parts specifically approved with this appliance may result in property damage or personal injury.



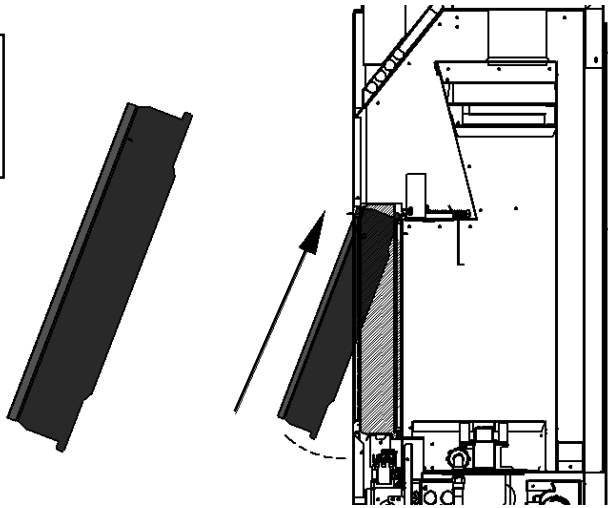
**Contents of Kit:**  
 [1] Child Safety Screen  
 [2] Screen Mount Brackets  
 [6] 3/8" x 1/2" Screws

**Assembly Instructions:**  
 Fasten Screen Mount Brackets to Child Safety Screen with supplied screws.

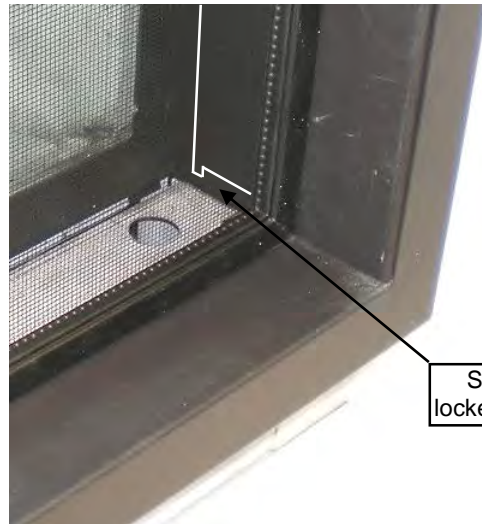


**⚠ WARNING:**  
 Wait until unit is **COMPLETELY** cool before touching glass or attempting to install or remove Child Safety Screen.

Insert top of Screen into fireplace opening and push bottom in.



Insert screen into space above Fireplace Door opening.



Screen is locked in place.

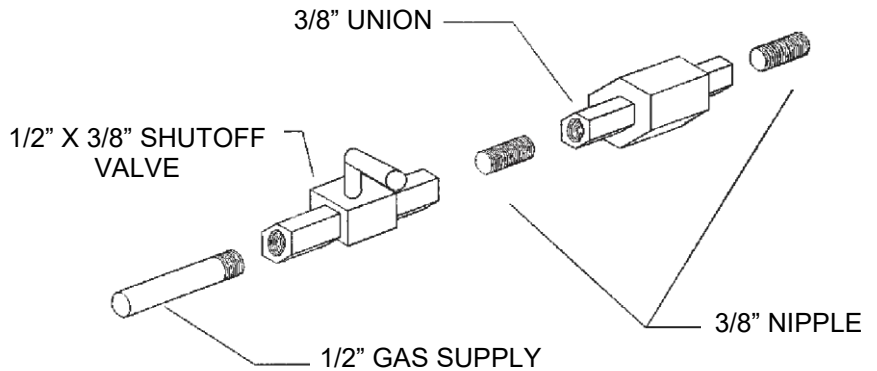
Lock Screen into place on Access Panel Support Bracket.

To remove Safety Screen, **WAIT UNTIL FIREPLACE IS COMPLETELY COOL.** Push up at center of Screen Frame and pull bottom away from fireplace.

# Gas Line Installation

This gas appliance should be installed by a qualified installer in accordance with local building codes and with current CAN/CGA - B149.1 or .2 installation codes for Gas Burning appliances and equipment in Canada and the National Fuel Gas Code ANSI Z223 in the U.S.A.

1. The gas pipeline can be brought in through either the right or the left side of the appliance. A knockout is provided at either location to allow for the gas pipe installation and testing of any gas connection.
2. The gas control inlet is 3/8" NPT. Typical installation layout for rigid pipe is shown at right.
3. When using copper or flex connector, use only approved fittings. Always provide a union so that gas line can be easily disconnected for burner or fan servicing. See gas specification for pressure details and ratings.
4. When a vertical section of gas pipe is required for the installation, a condensation trap is needed. See CAN/CGA-B149.1 or .2 for code details.
5. For natural gas, a minimum of 3/8" iron pipe with gas minimum pressure of 4.5" w.c. must be used for supply from the gas meter. Consult with the local gas utility if any questions arise concerning pipe sizes.
6. A 1/8" NPT plugged tapping is accessible for test gauge connection both on the inlet and outlet of the gas valve.
7. Turn the gas supply ON and check for leaks. **DO NOT USE OPEN FLAME FOR THIS PURPOSE.** Use an approved leak testing solution.
8. The appliance and its individual shutoff valve must be disconnected from the gas supply piping system during any pressure testing of that system at test pressures in excess of 1/2 PSIG (3.5 KPa).
9. The appliance must be isolated from the gas supply piping system by closing its individual shutoff valve during any pressure testing of the gas supply piping system at test pressures equal to or less than 1/2 PSIG (3.5 KPa).



**NOTE:** The gas line connection may be made of 1/2" rigid pipe or an **Approved Kingsman Flex Connector, such as FP15GC.** Since some municipalities have additional local codes, it is always best to consult your local authorities and the current CAN/CGA - B149.1 or .2 installation code in Canada or the National Fuel Gas code ANSI Z223.1 in the U.S.A

For the state of Massachusetts a T-handle gas shut-off valve must be used on a gas appliance. This T-handle gas shut-off valve must be listed and approved by the state of Massachusetts. This is in reference to the state of Massachusetts state code CMR238.

Important: Always check for gas leaks with a soap and water solution. Do not use open flame for leak testing.

### Gas Specifications

| MODELS                                   | VRB46N/NE             | VRB46LP/LPE     |                       |
|--|-----------------------|-----------------|-----------------------|
| Fuel                                     | Natural               | Propane         |                       |
| Gas Control                              | Millivolt / IPI       | Millivolt / IPI |                       |
| <b>INPUT</b>                             |                       |                 |                       |
| Maximum                                  | 23,250 BTU            | 23,250 BTU      |                       |
| Low                                      | 15,750 BTU            | 17,750 BTU      |                       |
| Orifice Size (0-4500ft)                  | #42                   | #53             |                       |
| Air Shutter                              | Fully Closed          | 5/16"           |                       |
| Gas Inlet Size S.I.T. 820 Nova, 3/8" NPT |                       |                 |                       |
| Gas Supply Pressure                      | Minimum               | Normal          | Maximum               |
| Natural Gas                              | 5.5"                  | 7"              | 9"                    |
| Propane                                  | 11"                   | 11"             | 12"                   |
| Manifold Pressure                        | Natural Gas           |                 | Propane               |
| Manifold Pressure High                   | 3.5 IN. W.C./ .87 KPa |                 | 10 IN. W.C./2.61 KPa  |
| Manifold Pressure Low                    | 1.6 IN. W.C./ .40 KPa |                 | 6.3 IN. W.C./1.57 KPa |

# Millivolt System, Lighting, and Burner Control

## FOR YOUR SAFETY READ BEFORE LIGHTING

**WARNING:** If you do not follow these instructions exactly, a fire or explosion may result causing property damage, personal injury or loss of life.

### BEFORE LIGHTING

- |  |  |
|--|--|
| <p>A This appliance has a pilot which must be lighted by hand. When lighting the pilot, follow these instructions exactly.</p> <p>B Smell all around the appliance area for gas. Be sure to smell next to the floor because some gas is heavier than air and will settle on the floor.</p> | <ul style="list-style-type: none"> <li>• Immediately call your gas supplier from a neighbour's phone. Follow the gas supplier's instructions.</li> <li>• If you cannot reach your gas supplier, call the fire department.</li> </ul> <p>C Use only your hand to push or turn the gas control knob. Never use tools. If the knob will not push in or turn by hand, don't try to repair it. Call a qualified technician. Force or attempted repair may result in a fire or explosion.</p> <p>D Do not use the appliance if any part has been under water. Immediately call a qualified service technician to inspect the appliance and to replace any part of the control system which has been under water.</p> |
|--|--|

### WHAT TO DO IF YOU SMELL GAS

- Do not try to light an appliance.
- Do not touch any electrical switch; do not use any phone in your building.

### LIGHTING INSTRUCTIONS

- |  |   |
|--|---|
| <ol style="list-style-type: none"> <li>1. Stop! Read the safety information above this label.</li> <li>2. Set the thermostat to lowest setting.</li> <li>3. Turn off all electrical power to the appliance.</li> <li>4. Locate valve under the burner assembly.</li> <li>5. If the control knob is not already in the off position, i.e. the word "OFF" in the 9 o'clock position, then push in the gas control knob slightly and turn ⤵ clockwise to "OFF". NOTE: Knob cannot be turned from "PILOT" to "OFF" unless knob is pushed in slightly. Do not use force.</li> <li>6. Wait five [5] minutes to clear out any gas. If you then smell gas. STOP! Follow "B" in the safety information above on this label. If you don't smell gas then go to the next step.</li> <li>7. Now push in the control knob slightly and turn ⤵ counter-clockwise to the "PILOT" position.</li> <li>8. Push in the control knob all the way and hold it. With the other hand push in the red igniter button until you hear a click. Now observe closely the pilot burner located on the rear center-left hand side of the main burner.</li> </ol> | <p>If a flame has appeared then continue to depress the control knob for 20 seconds. If the flame did not appear then continue to depress the red igniter button every 5 seconds until a flame is established. NOTE: If after 30 seconds a flame has not yet been established then turn the control knob back to the off position and repeat steps 5, 6 &amp; 7.</p> <ol style="list-style-type: none"> <li>9. Once the pilot has been established hold the control knob in the depressed position for approximately 25 seconds before releasing. If the flame goes out then repeat steps 7 and 8.             <ul style="list-style-type: none"> <li>• If the knob does not pop up when released, stop and immediately call your service technician or gas supplier.</li> <li>• If the pilot will not stay lit after several tries, turn the gas control to "OFF" and call your service technician.</li> </ul> </li> <li>10. Now turn the control knob to the "ON" position. The burner will not light unless the wall switch thermostat or remote control is turned "ON" or in the case of the thermostat there is a call for heat.</li> <li>11. Close the access door and turn all electrical power back to the appliance.</li> <li>12. The pilot must be turned off when the unit is not in use.</li> </ol> |
|--|---|

### TO TURN OFF THE APPLIANCE

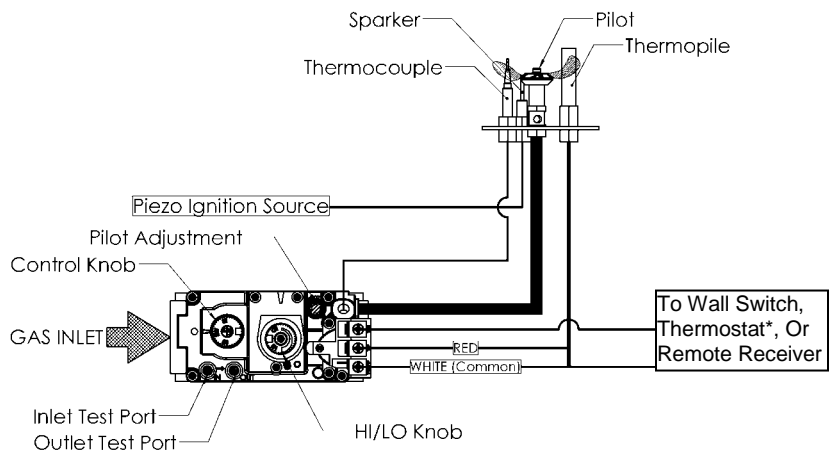
- |  |  |
|--|--|
| <ol style="list-style-type: none"> <li>1. Set the thermostat to lowest setting.</li> <li>2. Turn off all electric power to the appliance if service is to be performed.</li> <li>3. Open the control access door.</li> </ol> | <ol style="list-style-type: none"> <li>4. Push in the gas control knob slightly and turn ⤵ clockwise to the "OFF" position. Do not force.</li> <li>5. Replace control access panel.</li> </ol> |
|--|--|

**NOTE:** Only one on/off device (manual on/off, remote control, or hard wired thermostat) should be connected to the appliance at any one time, this is most important when installing an insert or stove as the on/off rocker switch is installed at the factory.

Recommended Maximum Lead Length (Double Wire)  
When Using Wall Switch or Thermostat

| Wire Size | Max. Length   |
|-----------|---------------|
| 14ga      | 100ft [30.4m] |
| 16ga      | 64ft [19.5m]  |
| 18ga      | 40ft [12.1m]  |
| 20ga      | 25ft [7.6m]   |
| 22ga      | 15ft [4.5m]   |

**CAUTION: DO NOT WIRE 120V POWER TO MILLIVOLT SWITCHES OR THERMOSTAT.**



\*In the U.S.A. Thermostats are not permitted for Vented Gas Fireplaces (ANSI Z21.50b-2009 -Decorative).



## Troubleshooting the Gas Control System



### WARNING

BEFORE DOING ANY GAS CONTROL SERVICE WORK, REMOVE THE GLASS FRONT. Before troubleshooting the gas control system, be sure external gas shut off is in the "On" position.

| Problem   | Possible Causes   | Corrective Action  |
|---|---|--|
| Spark igniter will not light.   | <p>Defective or misaligned electrode at pilot.</p> <p>Defective igniter (push-button).</p>  | <p>Check for spark at electrode and pilot: if no spark and electrode wire is properly connected, replace igniter.</p> <p>Using a match, light pilot. If pilot lights, turn off pilot and push the red button again. If pilot will not light - check gap at electrode and pilot should be 1/8" to 1/4" to have a strong spark.</p>  |
| Pilot will not stay lit after carefully following lighting instructions.    | <p>Defective thermocouple (flame switch where applicable).</p> <p>Defective valve magnet.</p>   | <p>Check pilot flame. Must impinge on generator and thermocouple. Clean and/or adjust pilot for maximum flame impingement on generator and thermocouple. Replace thermocouple if pilot will not hold. (Hand tight 1/8 turn on replacement)</p> <p>Replace valve, if pilot won't hold after the thermocouple is replaced.</p>   |
| Pilot burning, no gas to burner, valve knob "ON", and wall switch "ON".     | <p>Wall switch or wires defective.</p> <p>Generator may not be generating sufficient voltage.</p> <p>Plugged burner orifice.</p> <p>Defective automatic valve operator.</p> | <p>Check wall switch and wires for proper connections. Jumper wire across terminals at wall switch. If burner comes on, replace defective wall switch. If okay, jumper wires, across wall switch wires at valve. If burner comes on, wires are faulty or connections are bad.</p> <p>Check generator with millivolt meter. Take reading at generator terminals of gas valve. Should read 325 millivolts minimum while holding valve knob depressed in pilot position and wall switch "off" Replace faulty generator if reading is below specified minimum.</p> <p>Check burner orifice for stoppage and remove.</p> <p>Remove wall switch wires from gas valve. Install jumper wires from top bottom terminals of gas valve. Turn valve on "ON". If main burner does not light, replace valve.</p> |
| Frequent pilot outage problem.  | Pilot flame may be too low or blowing (high) causing the pilot safety to drop out.  | Clean and/or adjust pilot flame for maximum flame impingement on generator and thermocouple.   |
| Flame lifts off burner and goes out in less than 30 seconds.                | The inner liner has come off flue or termination, flame is starving for oxygen.   | Attach the inner liner to flue or termination using screws, silicone and clamps as stated in manual.   |
| Flame lifts off burner on one side while the rest of the flame remains lit. | Improper installation of firebrick. Firebrick is likely leaning.  | Be sure to position firebrick against firebox walls and be sure to use brick clips attached to the inner side of firebox.  |

It is recommended to annually inspect and clean the Burner System to prevent malfunction and / or sooting. This operation should be performed by your dealer or a qualified technician.

## -CAUTION-

Before servicing the burner system ensure that the gas supply is turned OFF and disconnect all electrical connections to the appliance. Allow the appliance to cool to room temperature. Note that the pilot assembly may be hot in an intermittent or standing-pilot system—even if the main burner was never on. Exercise caution when working within the area.

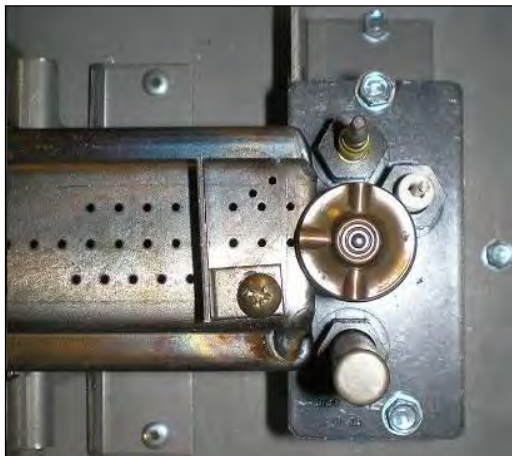
**-ALL WORK SHOULD BE PERFORMED BY A QUALIFIED AND CERTIFIED TECHNICIAN-**

## Monthly Flame Inspection

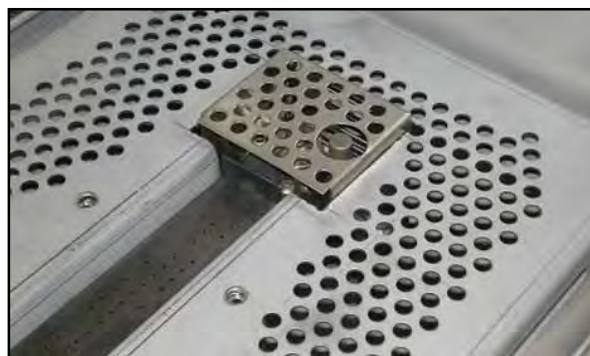


It is recommended to turn on the unit at least once a month and inspect the flame pattern to ensure there are no problems with the burner tube (Flame should appear similar to the above picture).

The pilot flame should also be inspected monthly to ensure proper operation.



**Pilot Must Maintain This Relationship With Burner.**



**Pilot Area Must Not Be Covered.**

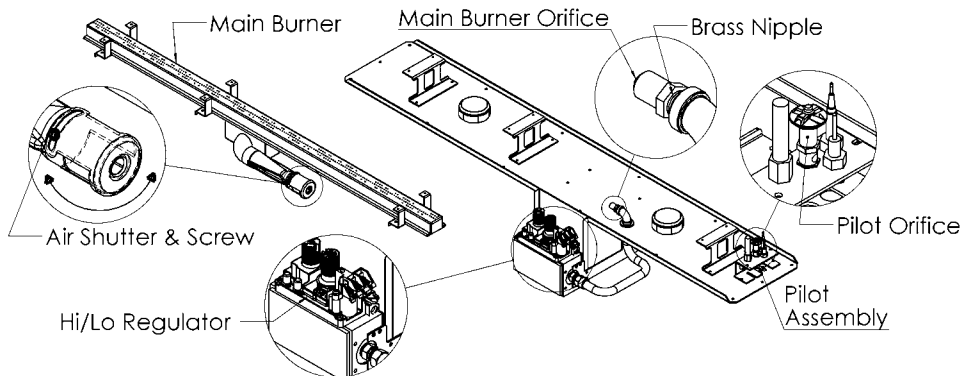
\*Pilot Shield should be visually inspected monthly for signs of deterioration due to flame exposure. Replace if necessary.

## Gas Conversion Part A VRB46

Models: VRB46LP, VRB46N, VRB46LPE, VRB46NE

| Kit Number  | Description                  | Pilot Orifice                       | Burner Orifice<br>Brass (1000-255) | Brass Nipple       | Air Shutter     | Hi/Lo Regulator            |
|-------------|------------------------------|-------------------------------------|------------------------------------|--------------------|-----------------|----------------------------|
| 46ZRB-CKLP  | LP Conversion<br>-Millivolt- | 1001-P167SI<br><b>#30</b> (977.167) | #53                                | 1000-P201VE<br>HEX | 5/16"           | 1001-P202SI<br>(0.907.202) |
| 46ZRB-CKNG  | NG Conversion<br>-Millivolt- | 1001-P165SI<br><b>#51</b> (977.165) | #42                                | 1000-P201VE<br>HEX | Fully<br>Closed | 1001-P201SI<br>(0.907.201) |
| 46ZRB-CKLPI | LP Conversion<br>-IPI-       | 1001-P168SI<br><b>#35</b> (977.168) | #53                                | 1000-P201VE<br>HEX | 5/16"           | 1002-P014SI<br>(0.907.014) |
| 46ZRB-CKNGI | NG Conversion<br>-IPI-       | 1001-P166SI<br><b>#62</b> (977.166) | #42                                | 1000-P201VE<br>HEX | Fully<br>Closed | 1002-P016SI<br>(0.907.016) |

IMPORTANT: Always check for gas leaks with a soap and water solution. DO NOT USE OPEN FLAME FOR LEAK TESTING.



### ⚠ Caution:

The gas supply shall be shut off prior to disconnecting the electrical power, before proceeding with the conversion.

1. The Burner Tube must be removed from the Burner Pan Assembly (See **Burner Tube Removal**). Adjust the Air Shutter to the correct Primary Air setting as specified in the manual or on the label plate. To adjust the Primary Air setting, loosen screw on the side of the Air Shutter and rotate to the correct opening using a drill bit or tape measure. Retighten screw.
2. Remove the Main Orifice using a 1/2" wrench and replace with the new Conversion Orifice which came with the Conversion Kit.
3. Replace the Burner Tube. Install the new Pilot Orifice (See **Pilot Conversion**) and Hi/Lo valve regulator by following instructions supplied with the Conversion Kit.



**Pilot Must Maintain This Relationship With Burner.**

Refer to "**Gas Specifications Chart**" for inlet pressures and input ratings. Clock meter to verify input rate. Place conversion label as close to converted gas control as possible. Refer to lighting instructions to verify the normal operating sequence of the ignition system.

### ⚠ -Warning-

This conversion kit shall be installed by a qualified service agency in accordance with the manufacturer's instructions and all applicable codes and requirements of the authority having jurisdiction. If the information in these instructions is not followed exactly, a fire, explosion or production of carbon monoxide may result causing property damage, personal injury or loss of life. The qualified service agency is responsible for the proper installation of this kit. The installation is not proper and complete until the operation of the converted appliance is checked as specified in the manufacturer's instructions supplied with the kit.

## Gas Conversion for Top Convertible Pilot – Part B (series 0190XYZ)



Instructions for converting SIT 190 series pilot burner injector from NG to LPG and from LPG to NG only. This information should be considered as supplemental to the Appliance Manufacturer's Instructions.

### WARNING!

The installation of this conversion kit must only be undertaken by a qualified and certified gas appliance installer.

1. Shut-off the gas supply to the appliance.
2. Allow the pilot burner to cool to room temperature.

**WARNING: Touching a hot pilot burner can result in injury.**

3. The pilot hood is held in place by spring. First remove the spring, then remove the hood by pulling it up from the pilot bracket (fig. 1).
4. Insert a 5/32" or 4 mm Allen wrench into the hexagonal key-way of the injector (fig. 2), and rotate it counter-clockwise until it is free of the injector journal.
5. Verify that the new injector is proper for the application. The injector size is stamped on the side of the injector near the top. LPG injectors have a groove machined around their circumference near the top, while NG injectors do not have a groove (fig. 4). Refer to the Appliance Manufacturer's instruction sheet for the proper injector size.
6. Insert the Allen wrench into the end of the injector. Then, insert the injector into injector journal, and rotate the injector clockwise until a torque of 9 lbf in (1.0 Nm) is achieved.
7. First replace the pilot hood by aligning the tab on the base of the hood with the slot in the side of the pilot journal, and push the hood down, onto the pilot bracket (fig. 3). The hood must sit squarely on the bracket for proper operation. Then replace the spring by pushing it on his seat (fig.3). Check to insure that the hood is properly seated onto the pilot bracket and that the spring is properly inserted onto his seat.
8. Restore the gas supply to the appliance, and ignite the pilot burner. Verify proper ignition and operation.



fig. 1

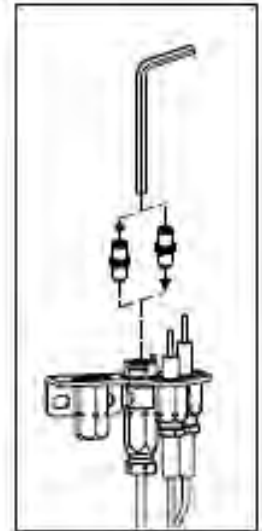


fig. 2



fig. 3

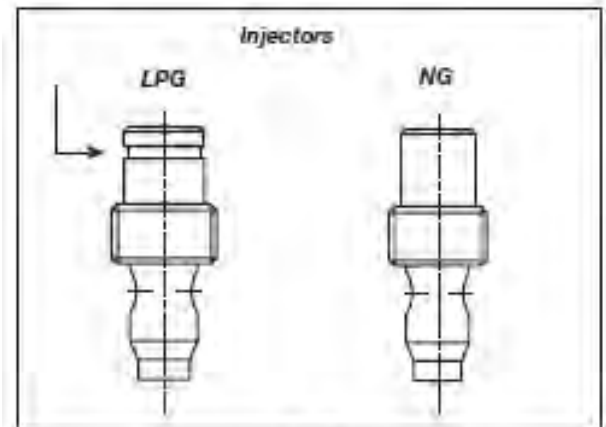


fig. 4

### WARNING!

This conversion kit must **ONLY** be applied as part of a conversion kit supplied by the **APPLIANCE MANUFACTURER** for the specific appliance, and type of gas, being converted.



# SIT GROUP

www.sitgroup.it

7.252.136

# installation instructions

## 820 NOVA mV

### Modulating Conversion Kit

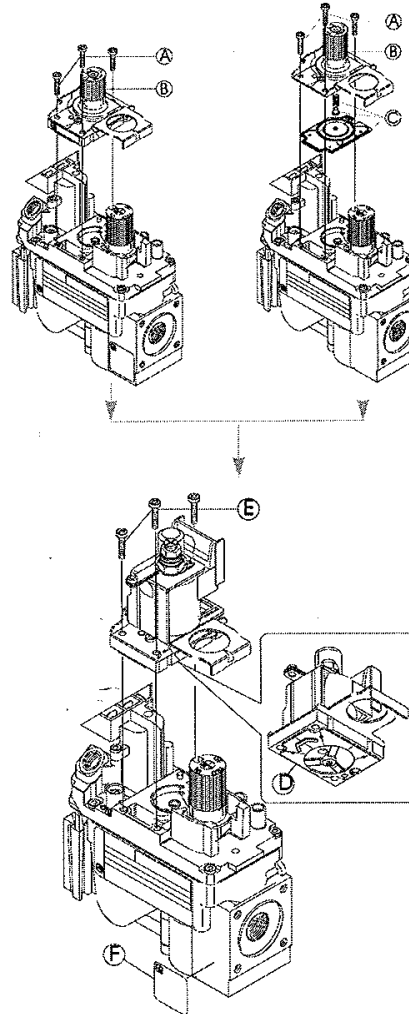


**WARNING!**

The installation of this conversion kit must only be undertaken by a qualified and certified gas appliance installer.

**MODULATING PRESSURE REGULATOR CONVERSION KIT INSTALLATION OR REPLACEMENT INSTRUCTIONS.**

- 1 Turn control knob to the OFF position, and shut off the gas supply to the valve.
- 2 Using a Torx T20, or slotted screwdriver, remove and discard the three pressure regulator mounting screws (A), pressure regulator tower (B), and the spring and diaphragm assembly (C).  
(If applicable)
- 3 Insure that the rubber gasket (D) is properly positioned and install the new modulating pressure regulator assembly to the valve using the new screws (E) supplied with the kit. Tighten screws securely.  
(Reference torque = 25 In.Lb.)
- 4 Install the enclosed identification label (F) to the valve body where it can be easily seen.
- 5 Apply gas to system and re-light appliance according to manufacturers instructions.
- 6 With the main burner "ON", test the new pressure regulator assembly for leaks using a soap solution.
- 7 Relight the main burner in both the HI and LO positions, and verify proper burner ignition and operation.



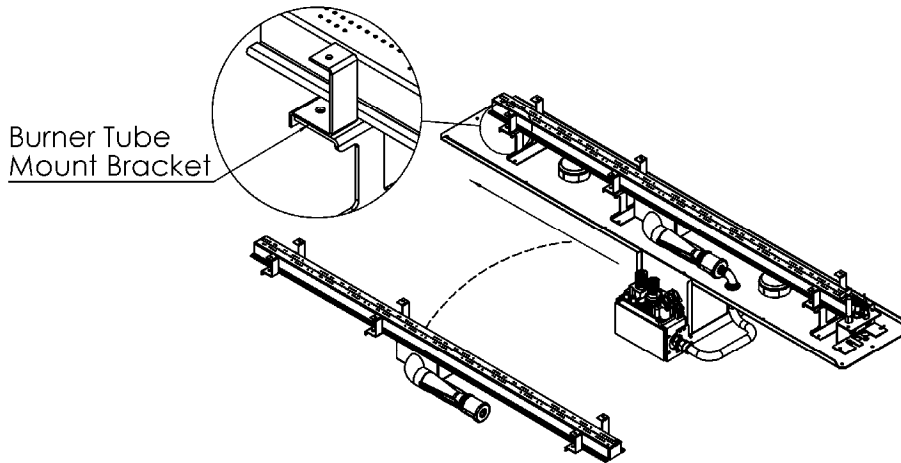
**WARNING!**

This modulating conversion kit must ONLY be applied as part of a conversion kit supplied by the APPLIANCE MANUFACTURER for the specific appliance, and type of gas, being converted.

**INSTALLER NOTICE.** These instructions must be left with appliance.



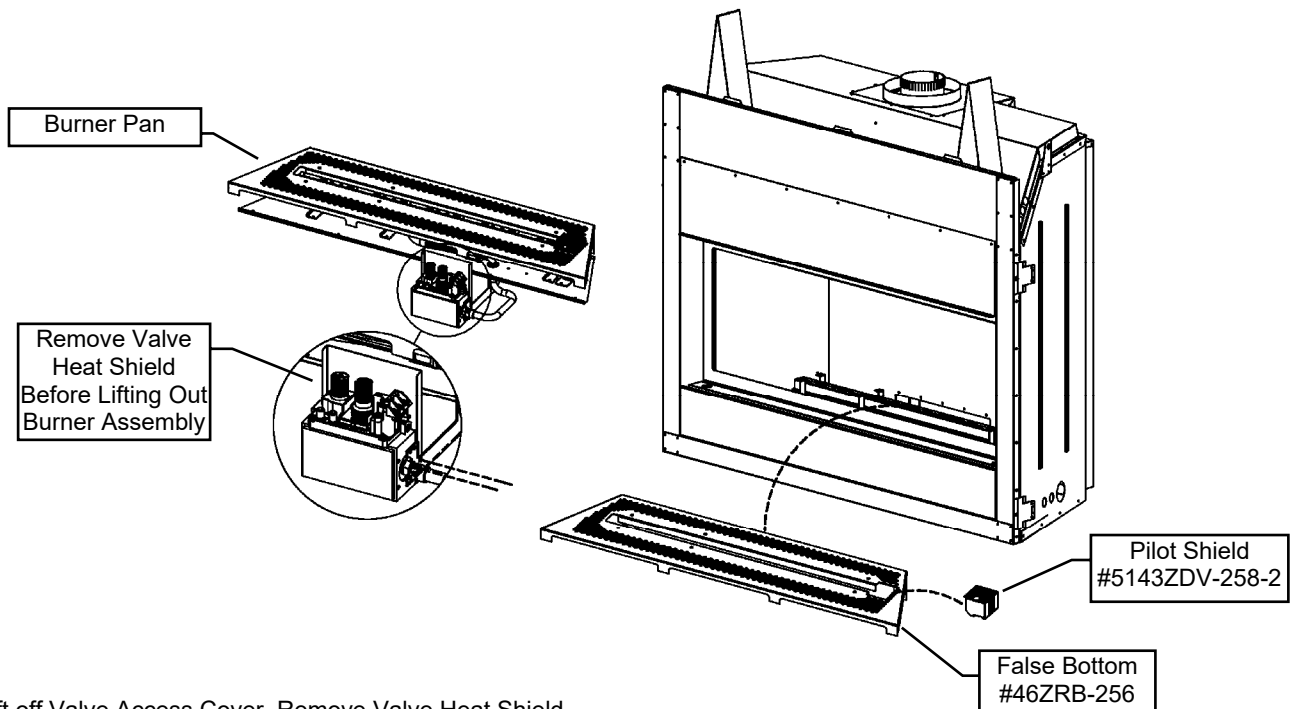
**SIT Group**



1. Remove the six [6] DT screws from the lower portion of the Burner Tube Mount Brackets.
2. Slide the Burner Tube away from the Plumbing Connection until it disengages from the orifice.
3. Reverse these steps to reinstall.

**⚠ -Warning-**

Turn off Unit and allow to cool before cleaning. Only a Qualified service technician should service and repair this appliance.



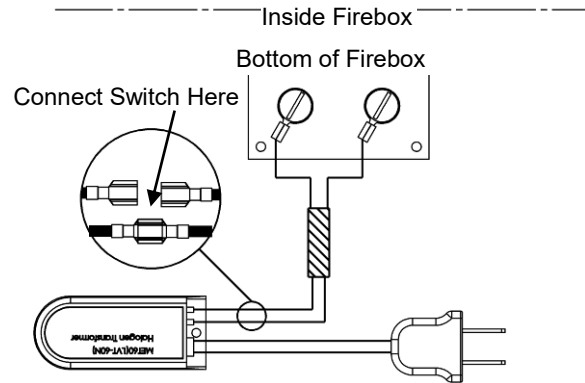
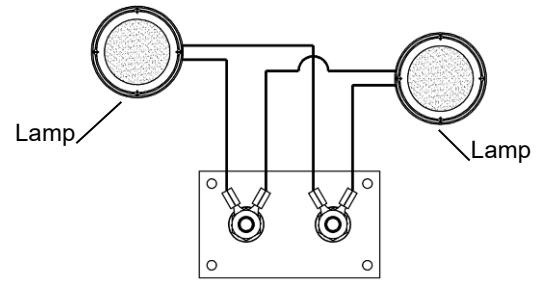
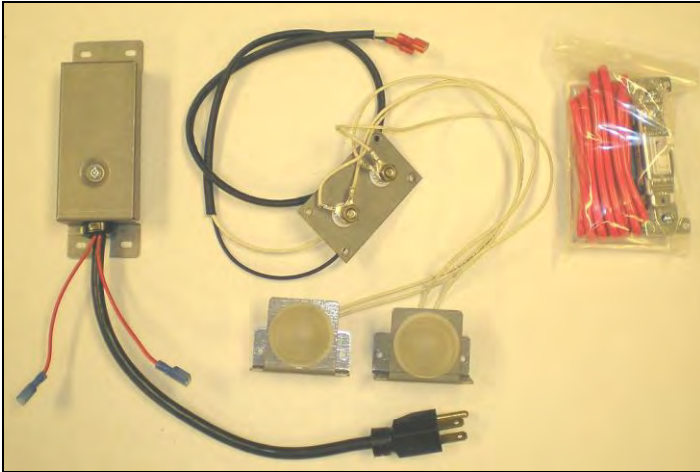
1. Lift off Valve Access Cover. Remove Valve Heat Shield.
2. Remove the Glass Door from the unit. Remove liners if present. Remove DT screws and lift out the False Bottom.
3. Remove the DT screws around the perimeter of the burner pan.
4. Carefully work the burner pan loose & lift the assembly upward to remove it from the firebox cavity.
5. Installation is the reverse of these steps. Ensure that the mounting surface is clean & fresh **Black Mill Pac** is used to reseal the burner pan.

# ULK2 Universal Light Kit (Optional Accent Lighting Kit)

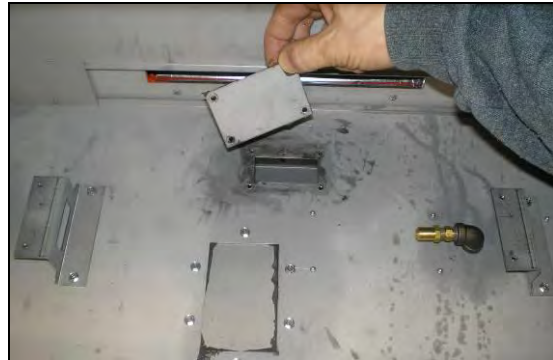
Please follow the current ANSI/NFPA 70 National Electrical Code in the USA and CAN/CSA C22.1 Canadian National Electrical Code in Canada.

## Contents of Kit:

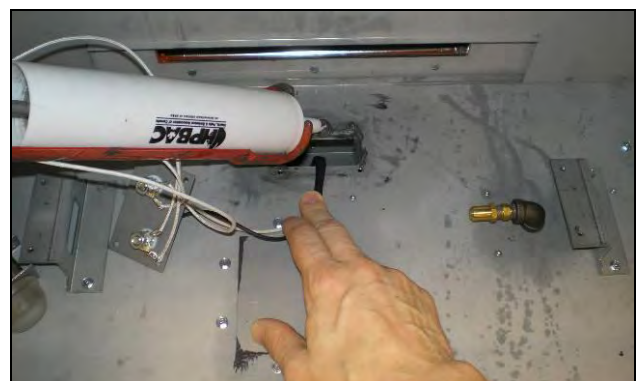
- [2] 12V Halogen Lamps
- Lamp Plate with Insulated Studs & wiring
- 12VAC Transformer with 3 prong plug & wire connectors
- Light Switch & Cover Plate c/w 10ft wire c/w [1] Loose Female & [1] Loose Male wire connector



## INSTALLATION:

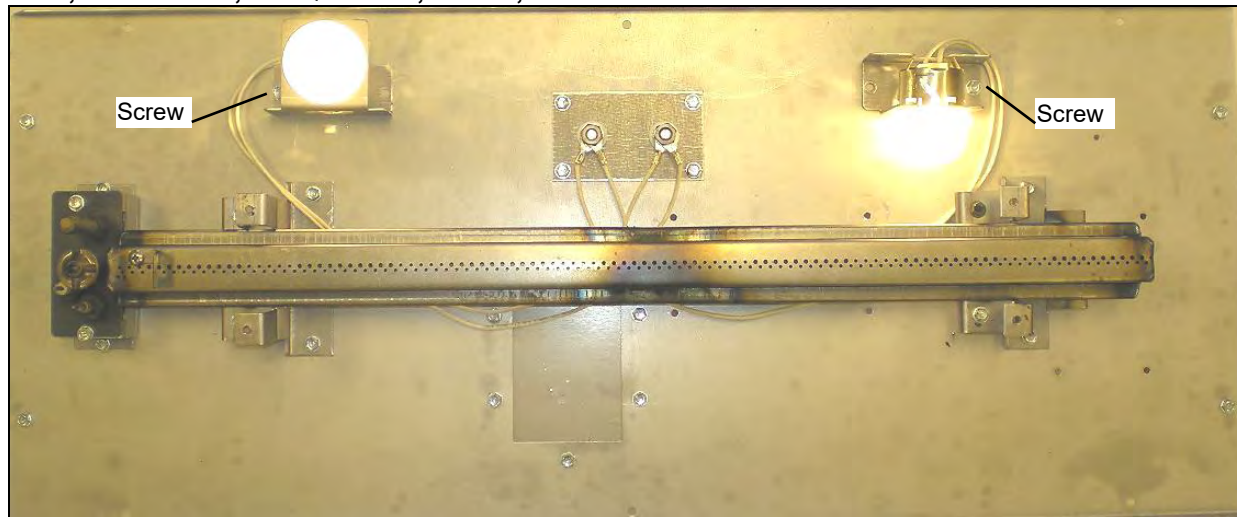


**STEP 1:** Remove false bottom to expose burner tube. Remove burner tube and cover plate as above. Remove old sealant from opening.

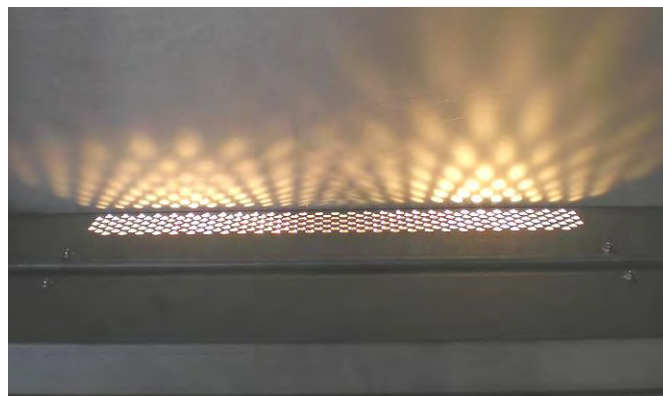
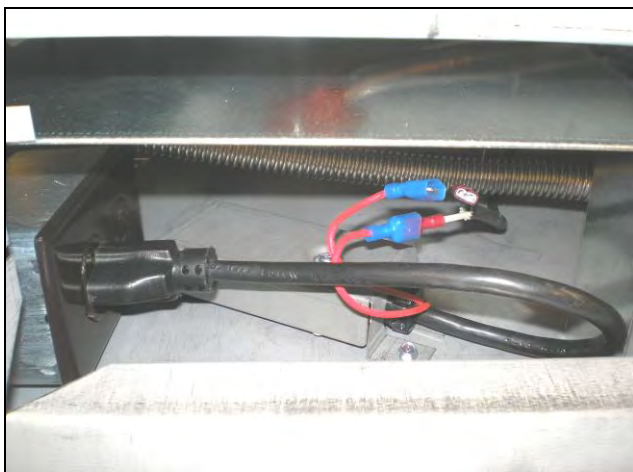


**STEP 2:** Insert lamp wires through access hole in firebox as above. Apply new sealant (Mill-Pac). Secure Lamp Plate with screws.

**MQRB3328, ZDVRB3622, & MQRB4236, ZRB46, VRB46**

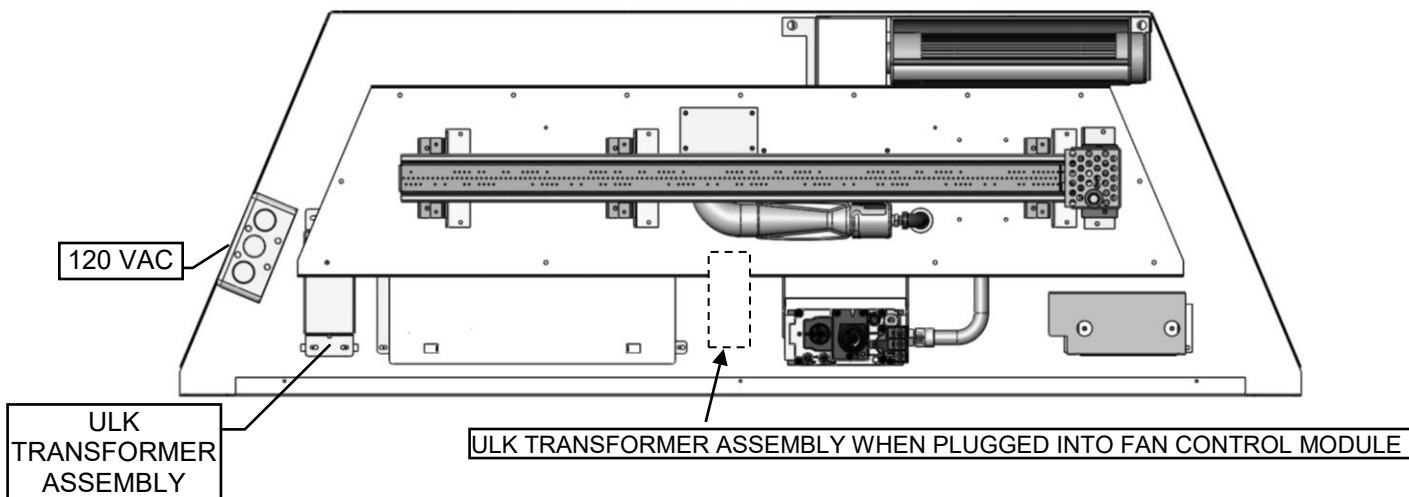


**STEP 3:** Place Lamps in position in firebox. Attach to fireplace with a single screw at the locations shown above for each unit. Lamps can be placed facing upward or sideways. Replace burner tube and false bottom, along with pilot shield.



Glass may be used to cover perforations in false bottom

**STEP 4:** Connect switch wires between lamp wire and transformer (see schematic). Connect remaining wire lamp wire to transformer. Transformer can then be plugged in and the housing fastened to the bottom of the fireplace.





## RBCB1 - Cannonballs- Installation Instructions

Assorted size and colors. Place randomly as desired inside fireplace.

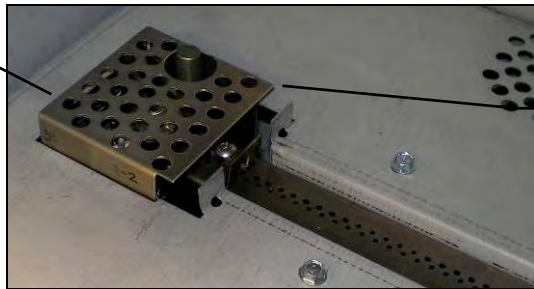


Can be used with MQ Glass, MQ Rock, MQ Stone or MQ Ember. Follow instructions for these accessories.

### **NOTE**

- Pilot Area Must **Not** Be Covered, as delayed ignition can occur.
- Be Careful Not To Cover Any Part Of The Burner Tube As Cannonballs may become discolored or sooting may occur.
- For best flame pattern it is essential to spread supplied Bronze Glass directly onto burner tube.

Pilot Area Must **Not**  
Be Covered



\*Pilot Shield should be visually inspected monthly for signs of deterioration due to flame exposure. Replace if necessary.

## MQ Dealer Accessories for VRB46

The following Accessories are available through MQ Dealers only.

| ACCESSORY ITEM | DESCRIPTION                        |
|----------------|------------------------------------|
| MQG5W          | Decorative Glass 1/2" White        |
| MQG5A          | Decorative Ember Glass Cobalt Blue |
| MQG5B          | Decorative Ember Glass - Black     |
| MQ46D          | Driftwood Log Set- 3pcs.           |
| MQROCK2        | Rock Set Natural                   |
| MQROCK3        | Rock Set Multi-Color               |
| MQRBD1         | Driftwood/Rocks, 4 ea.             |
| MQSTONE        | Decorative Stones                  |
| MQEMBER        | Glowing Embers                     |

### • GLASS (MQG5W, MQG5C, MQG5A, MQG5B)

If you wish to use this media evenly spread the glass embers onto the false bottom and burner. Ensure the glass embers do not excessively overlap as this will affect the flame pattern. Use care when placing glass embers near the pilot area so as not to block or have the glass fall over the crossover holes from the pilot to the burner, as delayed ignition can occur.

The following types of glass are approved:

- 1/2" **Ember Glass Material from American Fireglass.**

Maximum amount: Natural Gas is 5 lbs, Propane units 5 lbs.

- **Liquid Glass from Firegear.**

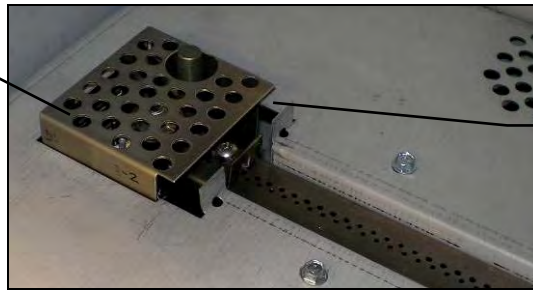
Maximum amount: Natural gas is 5 lbs, not recommended for Propane appliances.

Use of any other glass can alter the performance of the unit and is not covered under warranty.

Discoloration of glass media may occur if placed on the burner, this is not covered under warranty.



Pilot Area Must Not Be Covered



\*Pilot Shield should be visually inspected monthly for signs of deterioration due to flame exposure. Replace if necessary.

### • MQ46D Driftwood Log Set- 3pcs.



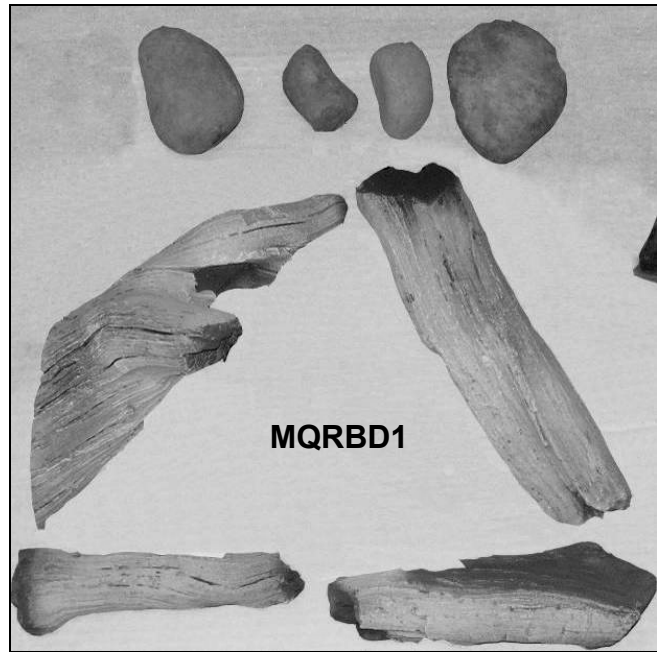
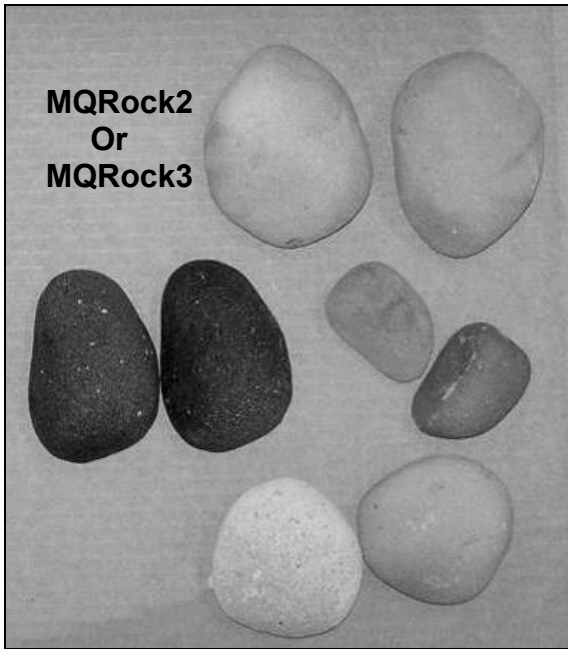
#### **NOTE**

- Pilot Area Must Not Be Covered, as delayed ignition can occur.
- Do Not Cover any part of the burner tube with logs as sooting may occur.
- For best flame pattern it is essential to spread supplied 1/2" Crushed Glass or MQEMBER chunks directly onto burner tube.

- Place **Log 1** on left side of fireplace against the back wall of the firebox.
- Place **Log 2** on the right side of fireplace against the back wall of the firebox and onto Log 1 as shown.
- Place **Log 3** in front of the burner in the center of fireplace as shown.

Can be used with MQ Glass, MQ Rock, MQ Stone or MQ Ember. Follow instructions for these accessories.

- **MQROCK2, MQROCK3, MQRBD1** - Place rocks randomly onto False Bottom.



**⚠ NOTE**

- Pilot Area Must Not Be Covered, as delayed ignition can occur.
- Do Not Cover any part of the burner tube with logs as sooting may occur.
- For best flame pattern it is essential to spread supplied Bronze Glass directly onto burner tube.



- **MQ STONE DECORATIVE STONE SET**- Place Stones onto False Bottom randomly. Do Not cover Pilot Area. Not all stones will be used on some models.



- **MQEMBER**- Place these glowing ember chunks randomly. Embers may be used with or without other accessories.

### MQRBD3

### -5 Piece Driftwood Log Set-

Can be used with MQ Glass, MQ Rock, MQ Stone or MQ Ember. Follow instructions for these accessories.



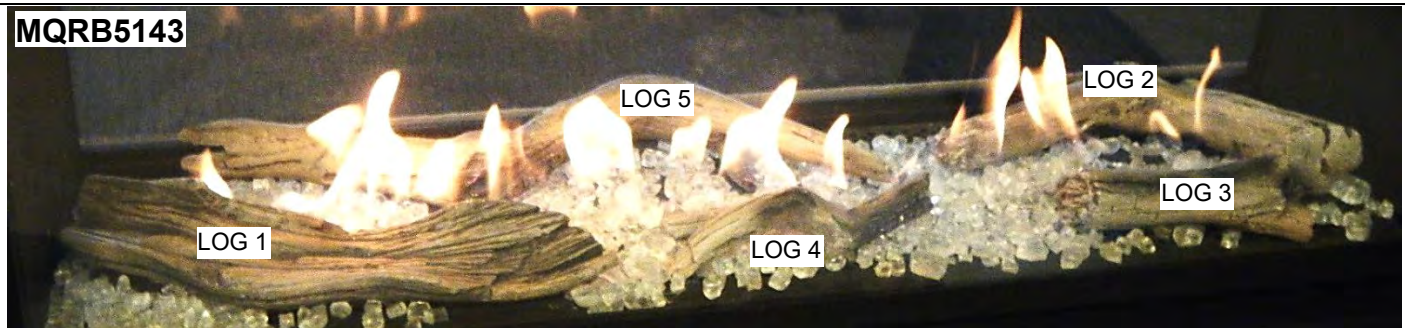
#### **⚠ NOTE**

- For best flame pattern it is essential to spread supplied Crushed Glass or MQEMBER directly onto burner tube.
- If sooting occurs, one or more logs may be removed.

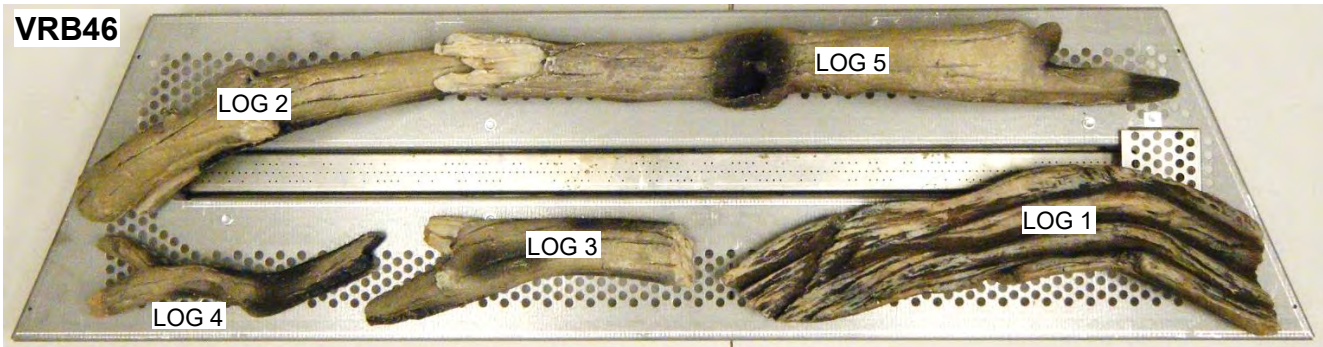
### MQRB5143



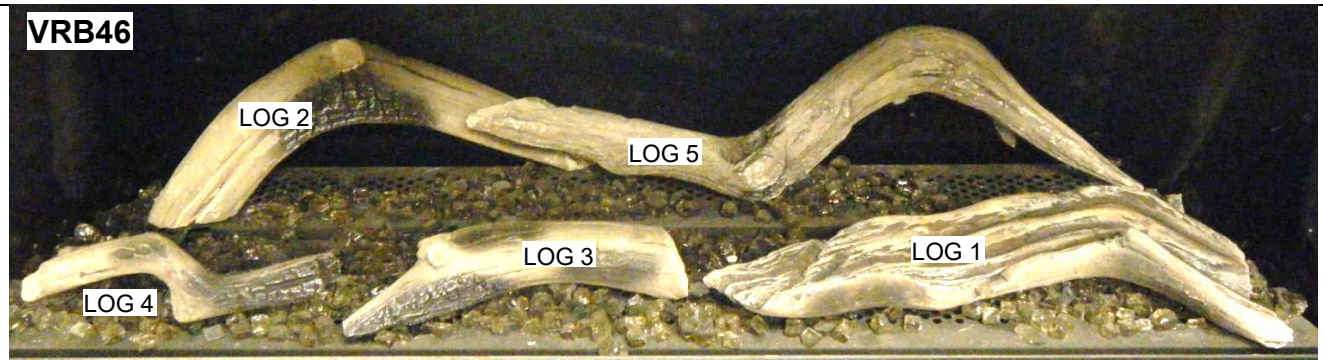
### MQRB5143



### VRB46



### VRB46



# IPI Electronic Ignition System

## Overview

The IPI system is an advanced burner controller that provides you with the option of having either a Standing-Pilot, or an intermittent igniting system. This alternating mode is controlled by the CPI/IPI Switch (Continuous Pilot Ignition/Intermittent Pilot Ignition) located on the IPI System Box. The difference between a Standing-Pilot and an Intermittent-Pilot is in whether the pilot stays lit or shuts off:

In Standing-Pilot, the pilot assembly is lit by the IPI Main Module and continues to stay lit until 1) the CPI/IPI Switch is switched to the IPI position; 2) a loss of electrical power (battery and AC source), 3) the flame sensor loses its signal, 4) the fuel supply discontinues, or 5) the IPI Main Module malfunctions.

In the Intermittent-Pilot mode, the pilot shuts off when the appliance is not in use. The advantage of this mode is that fuel is not consumed when the fireplace is not operating.

NOTE: In some jurisdictions Intermittent-Pilot is required. That means the pilot cannot remain lit when the appliance is not operating.

## Components

The core of the IPI system is the Main Module and the IPI Valve. With these two components the system is able to operate a gas fireplace. There are also other components available to complement the IPI system.

**IPI System Cover:** Is essential in keeping the components at their proper operating temperatures. **DO NOT OPERATE THE APPLIANCE WITHOUT THIS COVER.**

**Modulating Servo Motor:** Is an add-on valve component that permits HI/LO functionality to be controlled by the remote. Contrary to this feature is a Manual HI/LO Control Knob. The Modulating Servo Motor requires the Remote system to be present.

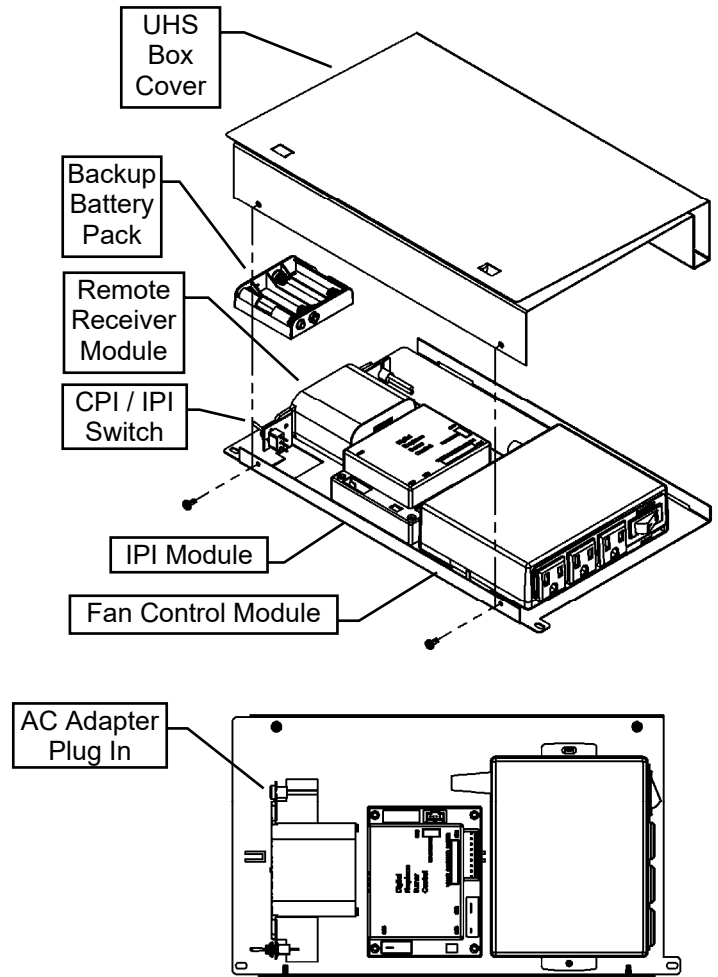
**Backup Battery Pack:** This component permits the IPI system to operate without the need for an external AC Adapter power source. The advantage to using the battery backup is that in the case of a power failure, the appliance is still operable.

**NOTE:** In certain instances the IPI Main Module requires resetting. This can occur if the system is unable to ignite the pilot or the main burner in the allotted time period. The IPI is programmed to lockout all commands. To reset this lockout you must deplete the system of all electrical power. This means to remove the batteries from the Battery Pack, remove the batteries from the Remote Receiver (if applicable), and disconnect the AC Adapter from the system. Leave the power off for approximately 25 seconds to clear its lockout.

**Remote Receiver:** This component provides the capability of controlling the appliance with a wireless remote transmitter.

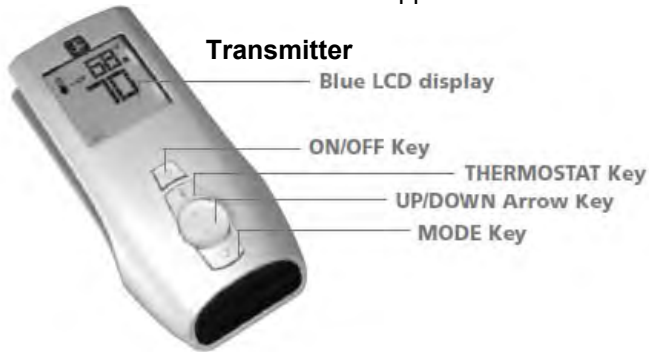
### Standing Pilot Mode for Colder Climates (Below Freezing)

For IPI models it may be necessary to set the appliance to Standing Pilot mode to maintain heat in the cavity. The purpose of this procedure is to prevent cold air from penetrating the chimney and then onto the living space. Therefore, when the internal temperature is slightly elevated the fireplace is able to freely exhaust its combustion and hence making it easier to startup.



## -Remote Control Operation-

The Proflame GTM is configured to control the on/off main burner operation, its flame levels, and provides on/off and Smart thermostatic control of the appliance.



**Remote Receiver**



### Transmitter

The Transmitter is powered by 3 AAA type batteries. A Mode Key is provided to Index between the features and a Thermostat Key is used to turn on/off or index through thermostat functions

### Remote Receiver

The Receiver connects directly to the gas valve and stepper motor with a wiring harness. The Receiver is powered by 4 AA type batteries. The Receiver three position slider switch can be set to one of three positions: ON (Manual Override), Remote (Remote control) or Off.

### Initializing the System for the first time

Install 4 AA batteries into the receiver battery bay. Install 3 AAA type batteries in the Transmitter battery bay. Place the 3 position slider switch in the "Remote" position. Insert the end of a paper clip into the hole marked "PRG" on the Receiver front cover. The Receiver will "beep" three (3) times to indicate that it is ready to synchronize with a Transmitter. Push the On button. The Receiver will "beep" four times to indicate the Transmitter's command is accepted. The system is now initialized.

### Temperature indication Display

With the system in the "OFF" position, press the Thermostat Key and the Mode Key at the same time. Look at the LCD screen on the Transmitter to verify that a C or F is visible to the right of the Room Temperature display.

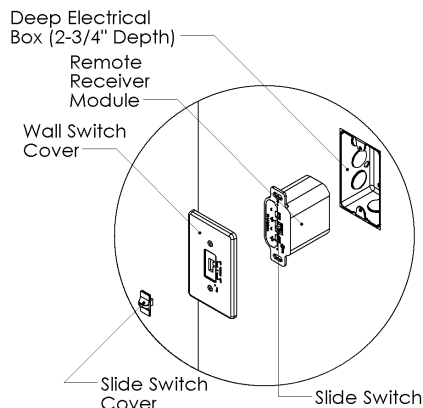
### Turn the Appliance On or Off

Press the ON/OFF Key on the Transmitter

### Remote Flame Control

The Proflame GTM has six (6) flame levels. Pressing the Down Arrow Key once will reduce the flame height by one step until the flame is turned off. The Up Arrow Key will increase the flame height each time it is pressed. If the Up Arrow Key is pressed while the system is on but the flame is off, the flame will come on in the high position.

**NOTE:** The Remote Receiver module can also be located outside of the appliance to a maximum of 6ft away installed in a certified deep wall switch electrical box (2-3/4" depth). For this configuration an extension wiring harness (P/N: 1001-P904S1) is required.



### Room Thermostat ( Transmitter Operation)

The Remote Control can operate as a room thermostat. To activate this function, press the Thermostat Key. The LCD display on the Transmitter will change to show that the room thermostat is "ON" and the set temperature is now displayed. To adjust the set temperature, press the Up or Down Arrow Keys until the desired set temperature is displayed on the LCD screen of the Transmitter.

### Smart Thermostat (Transmitter Operation)

The Smart Thermostat function adjusts the flame height in accordance to the difference between the set point temperature and the actual room temperatures. As the room temperature gets closer to the set point the Smart Function will modulate the flame down. To activate this function, press the Thermostat Key until the word "SMART" appears to the right of the temperature bulb graphic. To adjust the set temperature, press the Up or Down arrow Keys until the desired set point temperature is displayed.

### Key Lock Function

This function will lock the keys to avoid unsupervised operation. To activate this function, press the MODE and the UP Arrow Key at the same time. To de-activate this function, press the MODE and the UP Arrow Key at the same time.

### Low Battery Detection

**Transmitter** - When the Transmitter batteries are low, a Battery Icon will appear on the LCD display of the Transmitter.  
**Receiver** - When the Receiver batteries are low, No "beep" will be emitted from the Receiver when it receives an On/Off command from the Transmitter. When the batteries are replaced the "beep" will be emitted from the Receiver when the ON/OFF Key is pressed (See Initializing the System for the first time).

### Manual Bypass Of The Remote System

If the batteries of the Receiver or Transmitter are low or depleted, the appliance can be turned on manually by sliding the three position slider switch on the Receiver to the ON position. This will bypass the remote control feature and the appliance main burner will come on if the gas valve is in the "On" position.

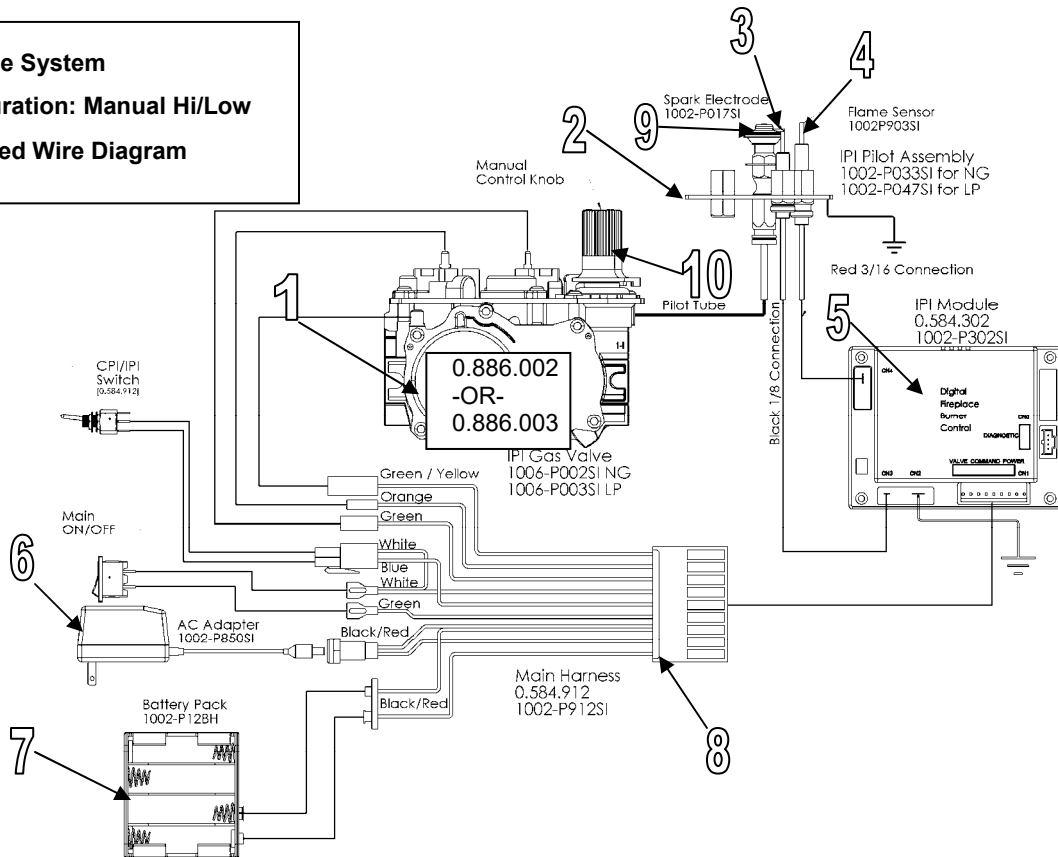
\*In the U.S.A. Thermostats are not permitted for Vented Gas Fireplaces (ANSI Z21.50b-2009 -Decorative).,

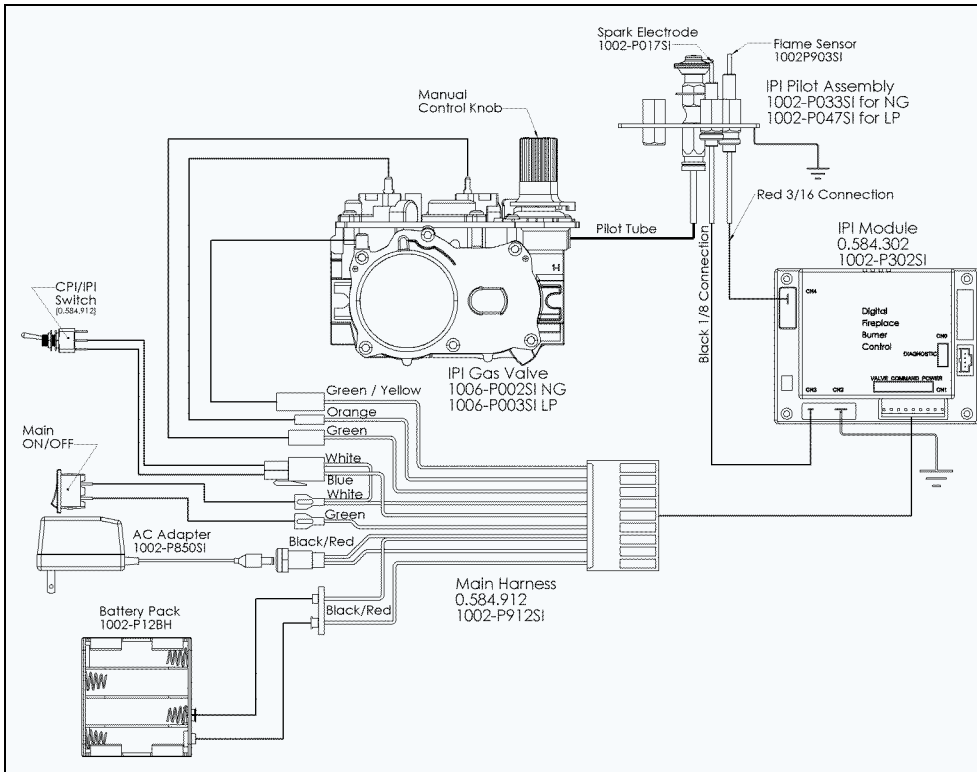
# IPI Electronic Ignition Parts List – Standard System

| ITEM NO. | PART NO.     | DESCRIPTION                             |
|----------|--------------|---|
| 1        | 1006-P002si  | Valve IPI Hi/Lo NG                      |
|          | 1006-P003si  | Valve IPI Hi/Lo LP                      |
| 2        | *1002-P047si | Pilot Assembly-LP -24" Wire             |
|          | *1002-P033si | Pilot Assembly-NG -24" Wire             |
| 3        | 1002-P017si  | Spark Electrode (with wire)             |
|          | *1002-P119si | Spark Electrode (with wire- 35" Length) |
| 4        | 1002-P903si  | Electrode Flame Sensor                  |
|          | *1002-P910si | Electrode Flame Sensor (35" Length)     |
| 5        | 1002-P302si  | IPI Ignition Board                      |
| 6        | 1002-P850si  | AC Wall Adapter                         |
| 7        | 1002-P12BH   | Battery Pack                            |
| 8        | 1002-P912si  | Wiring Harness                          |
| 9        | 1001-P166si  | Orifice Pilot -NG#62                    |
|          | 1001-P168si  | Orifice Pilot -LP#35                    |
| 10       | 1002-P013si  | Stepper Motor -NG                       |
|          | 1002-P012si  | Stepper Motor -LP                       |
|          | 1002-P016si  | Hi/Lo Regulator -NG                     |
|          | 1002-P014si  | Hi/Lo Regulator -LP                     |

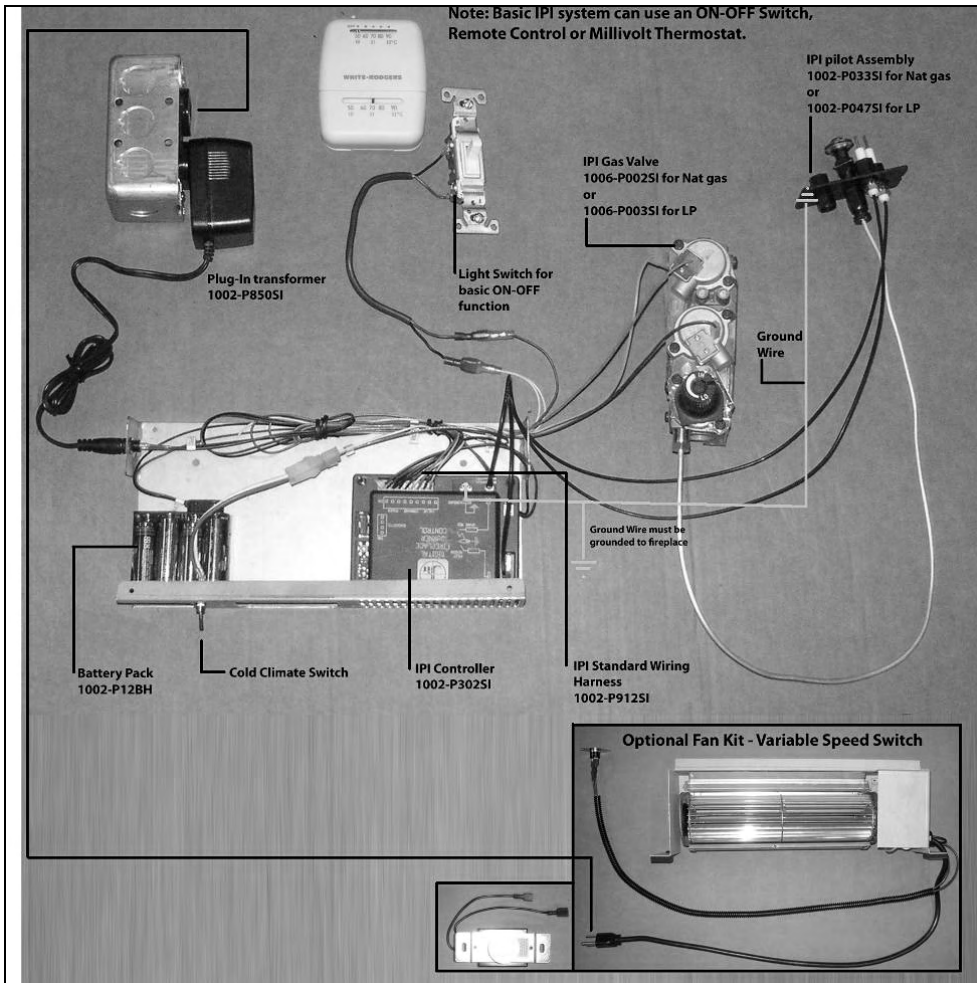
\*Models VRB46E / MQRB4436E / MQRB5143E / MQRB6961E  
 Longer (35") Wire length is required for these units.

**Proflame System**  
**Configuration: Manual Hi/Low**  
**Simplified Wire Diagram**

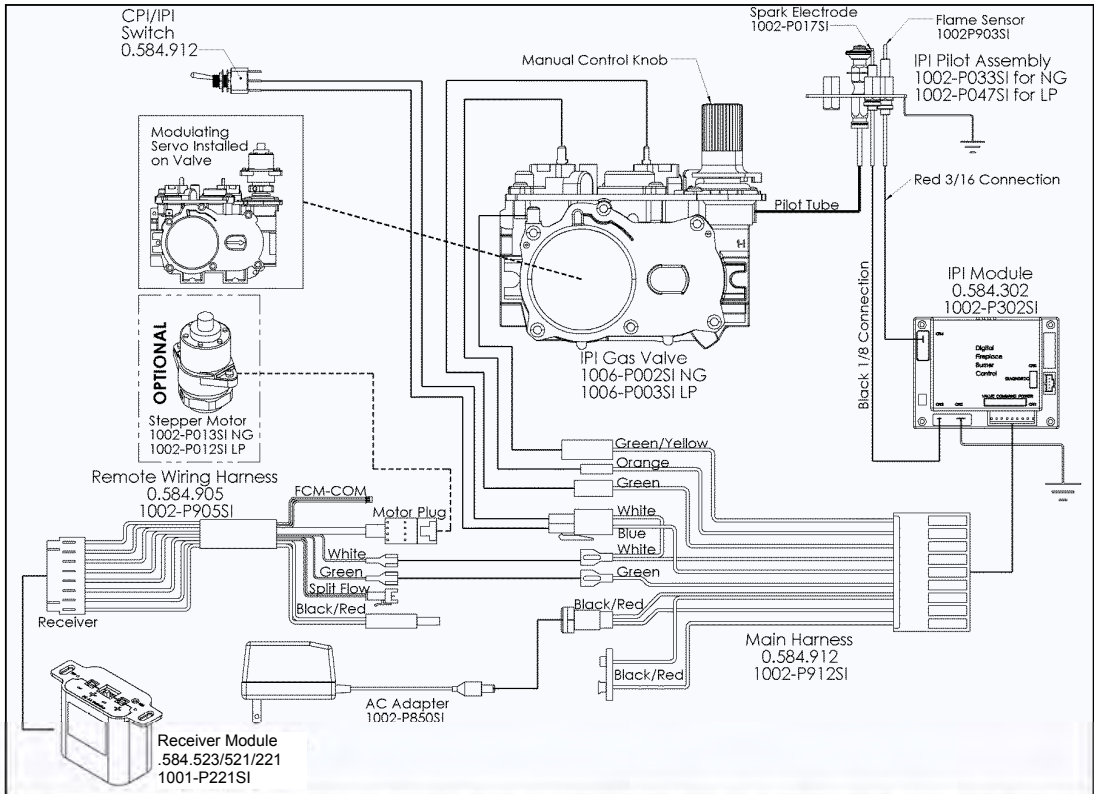




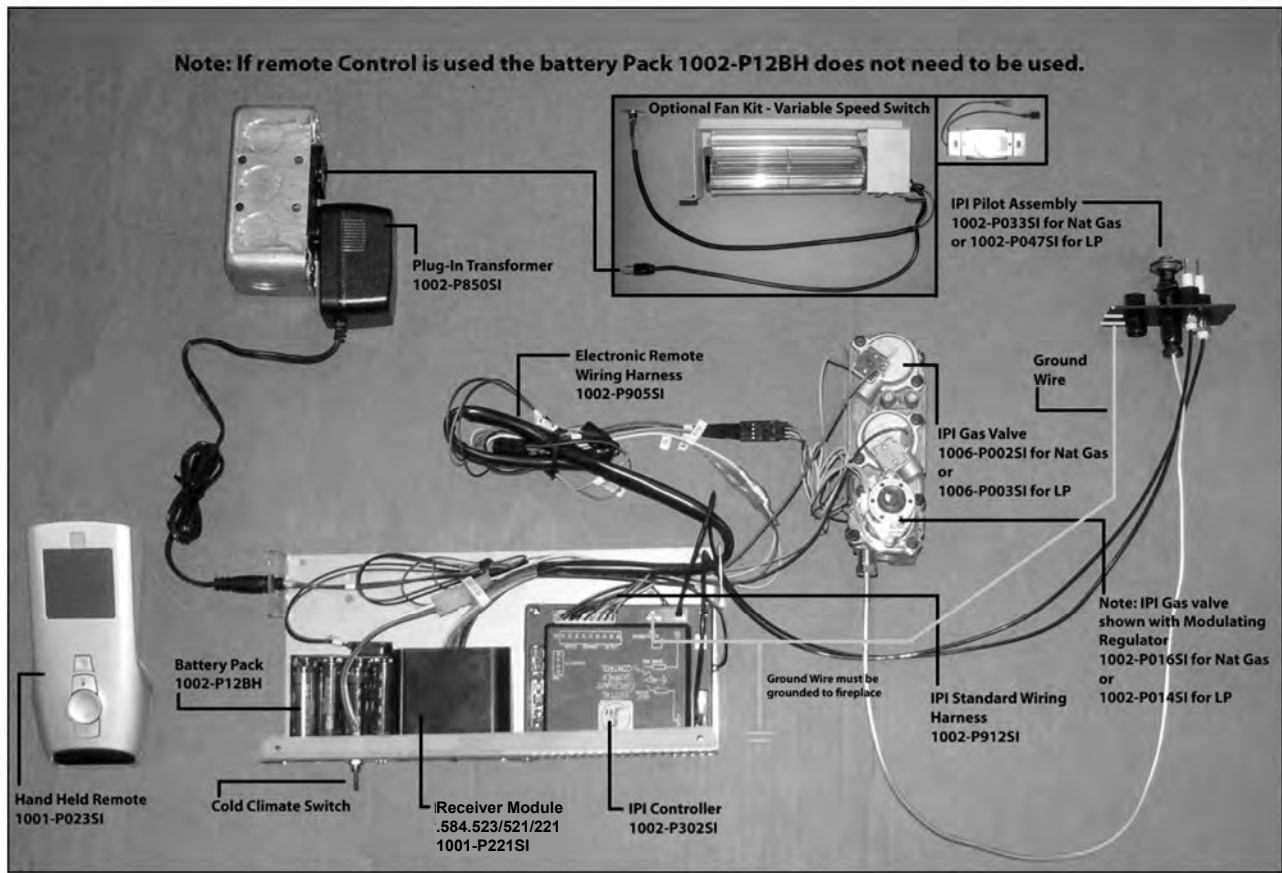
Configuration #1: Basic manual HI/LO and manual ON/OFF capabilities.







Configuration #2: Remote ON/OFF and manual HI/LO capabilities. OPTIONAL: For units with remote HI/LO capabilities, a modulating servo is required to be installed on the valve. The connectors to this servo must be connected to the Remote Harness as shown in the figure above.



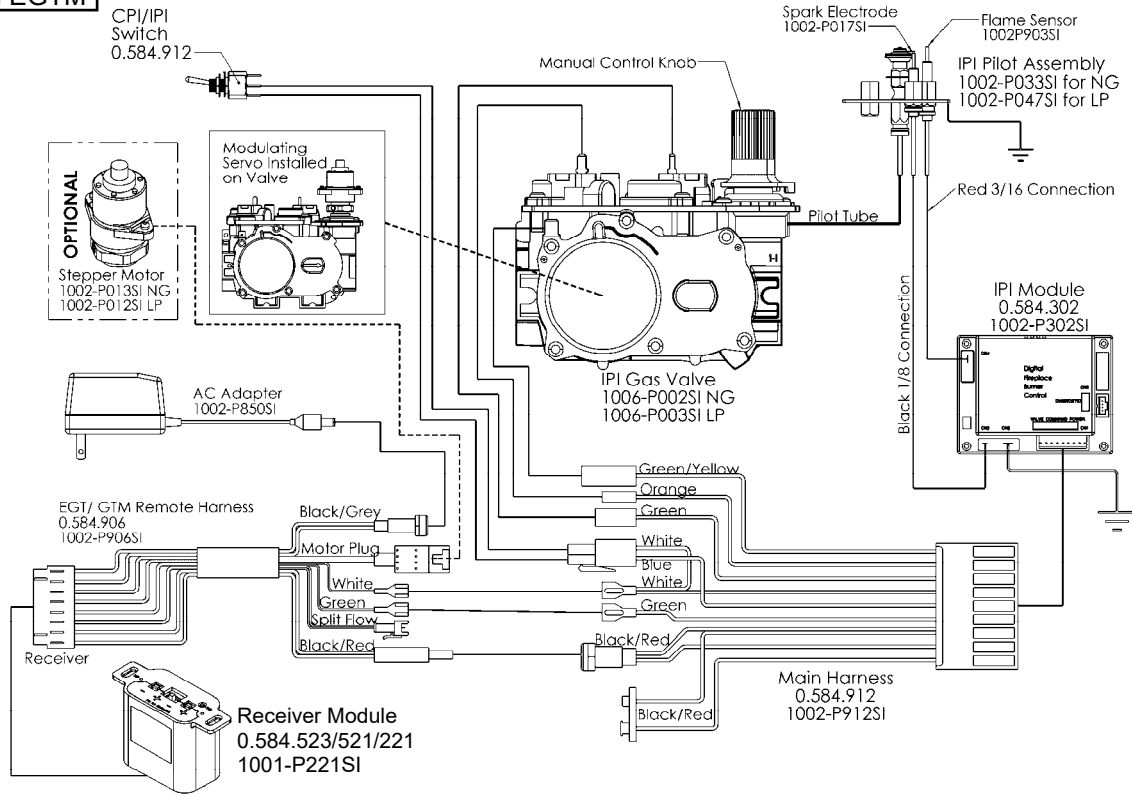
# Operating the Receiver Without Batteries For GT / EGT / GTM / EGTM Remote Controls

-Wiring Harness P/N 1002-P906si required for both IPI & Millivolt systems.

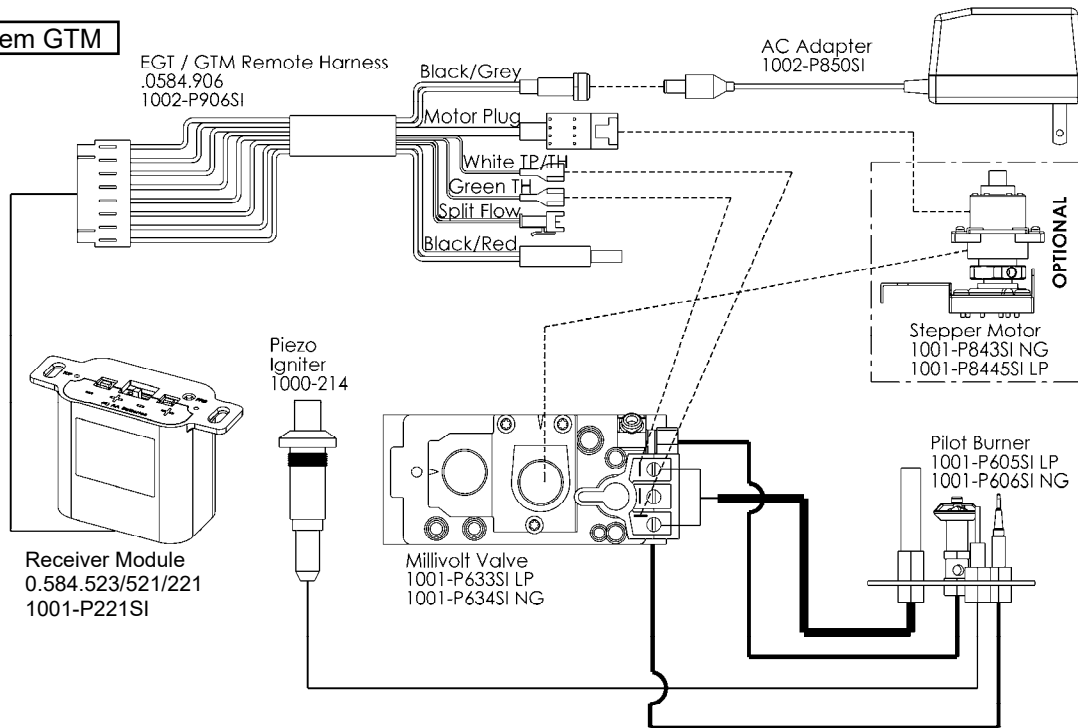
-Millivolt Systems will also require Power Adapter P/N 1002-P850si.

The Remote Receiver & IPI or Millivolt system can be powered by the AC Adapter. This is advantageous if you do not want to use batteries. Simply connect the AC Adapter into the Remote Control Wiring Harness as per the diagrams below.

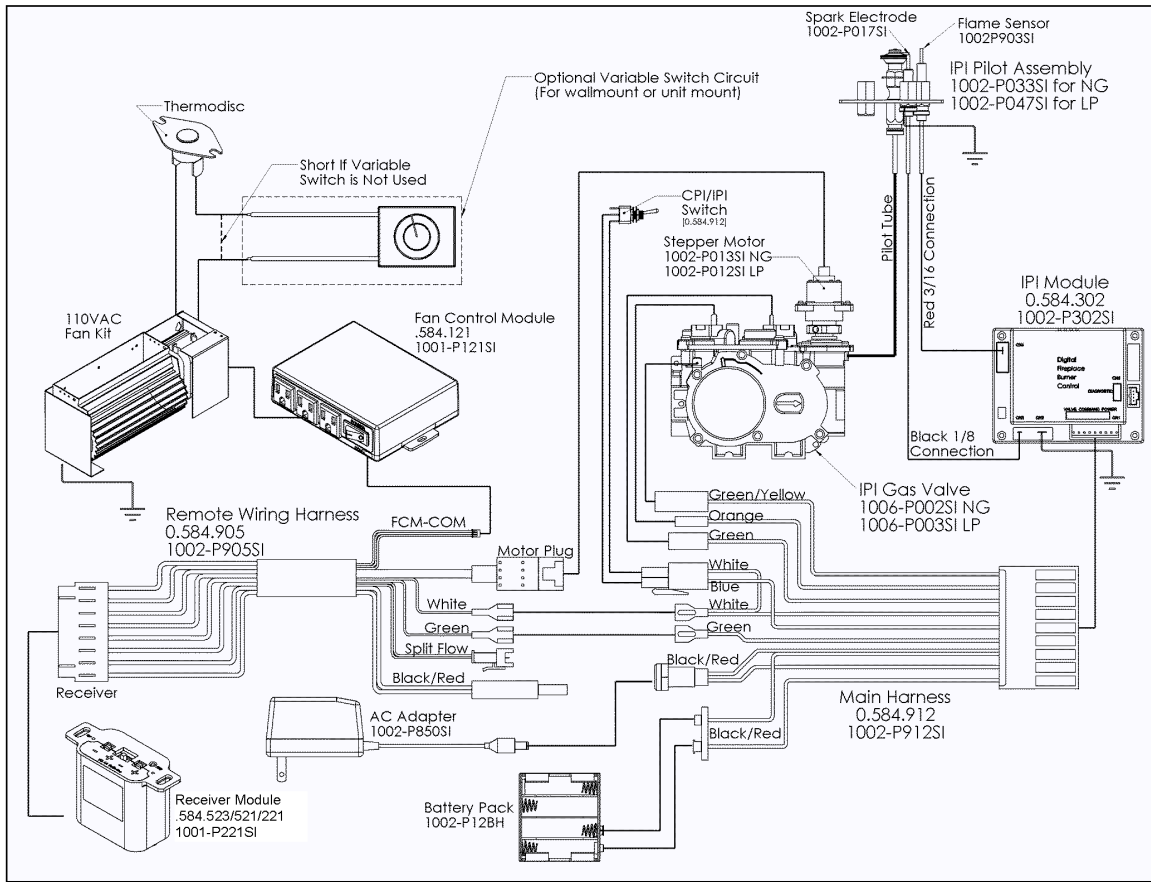
## IPI System EGTM



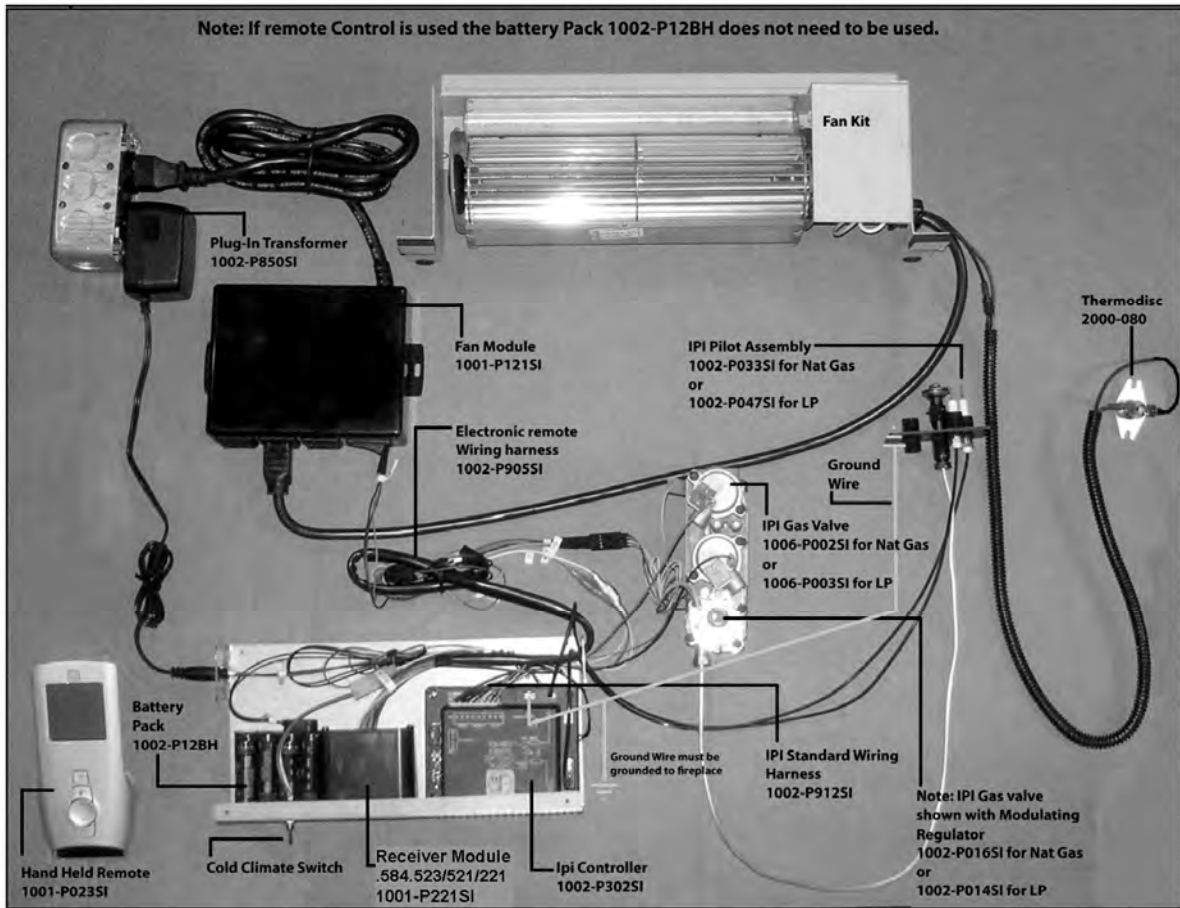
## Millivolt System GTM



\*In the U.S.A. Thermostats are not permitted for Vented Gas Fireplaces (ANSI Z21.50b-2009 -Decorative).



**Configuration #3:** Remote ON/OFF, variable HI/LO, and fan capabilities. Refer to the fan installation/removal section for fan installation.



# Electronic Ignition Lighting Instructions

## **WARNING**

If you do not follow these instructions exactly, a fire or explosion may result causing property damage, personal injury or loss of life.

Always light the pilot whether for the first time or if the gas supply has ran out with the glass door opened or removed.



### FOR YOUR SAFETY READ BEFORE LIGHTING:

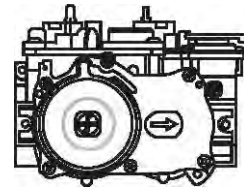
- A. This fireplace is equipped with an ignition device which automatically lights the pilot. Do not try to light by hand.
- B. Before operating smell all around the fireplace area for gas and next to the floor because some gas is heavier than air and will settle on the floor.
- C. Do not use this fireplace if any part has been under water. Immediately call a qualified service technician to inspect the fireplace and replace any part of the control system and any gas control which has been under water.

### WHAT TO DO IF YOU SMELL GAS:

- Turn off all gas to the fireplace.
- Open windows.
- Do not try to light any appliance.
- Do not touch any electric switch; do not use any phone in your building.
- Immediately call your gas supplier from a neighbor's phone. Follow the gas supplier's instructions.
- If you cannot reach your gas supplier, call the fire department.

### LIGHTING INSTRUCTIONS

1. Stop! Read the above safety information on this label.
2. Remove batteries from receiver, and/or Battery Backup Pack.
3. Turn off all electric power to the fireplace.
4. This fireplace is equipped with an ignition device which automatically lights the pilot. Do not try to light the pilot by hand.
5. Open the glass door.
6. Turn manual shutoff valve clockwise  to off (Located behind the access panel).
7. Wait five (5) minutes to clear out any gas. If you smell gas including near the floor, **STOP!** Follow "B" in the above safety information on this label. If you don't smell gas go to the next step.
8. Turn manual shutoff valve counter-clockwise  to on.
9. Close the glass door.
10. Turn on all electric power to the fireplace and re-install batteries into the Transmitter/Receiver, and/or Battery Backup Pack.
11. Turn "On" Switch that operates the Main Burner. If using a Remote Control refer to Remote Control Operation Manual for activation.

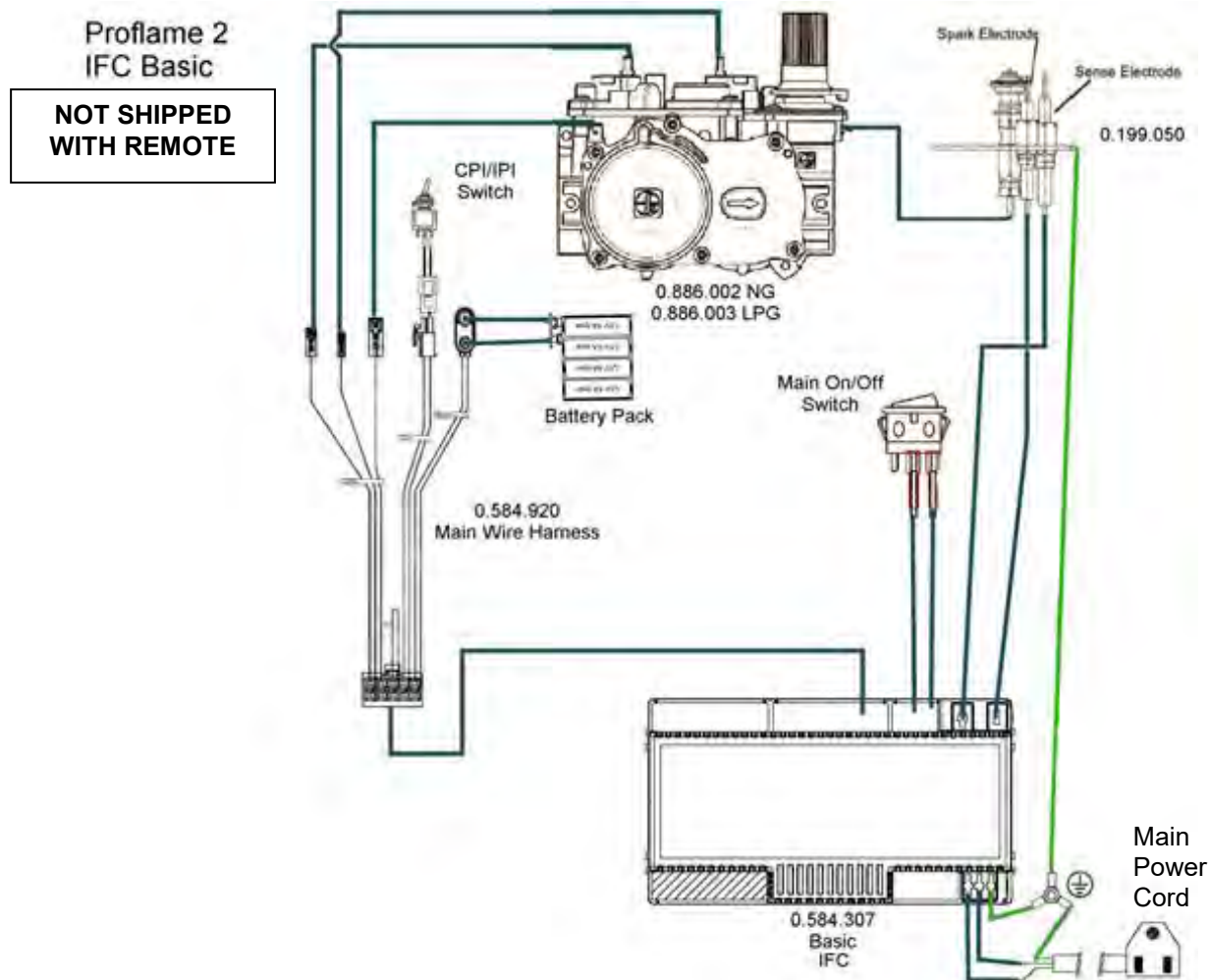


### TO TURN OFF GAS

1. Turn off all electric power to the fireplace if service is to be performed, including removing batteries from Remote Transmitter/Receiver and/or Battery Backup Pack.
2. Access door inside the firebox must be removed to access the manual shutoff valve.
3. If alternate shut-off valve was installed it can be shutoff instead of going through the fireplace to access the fireplace shut off valve.

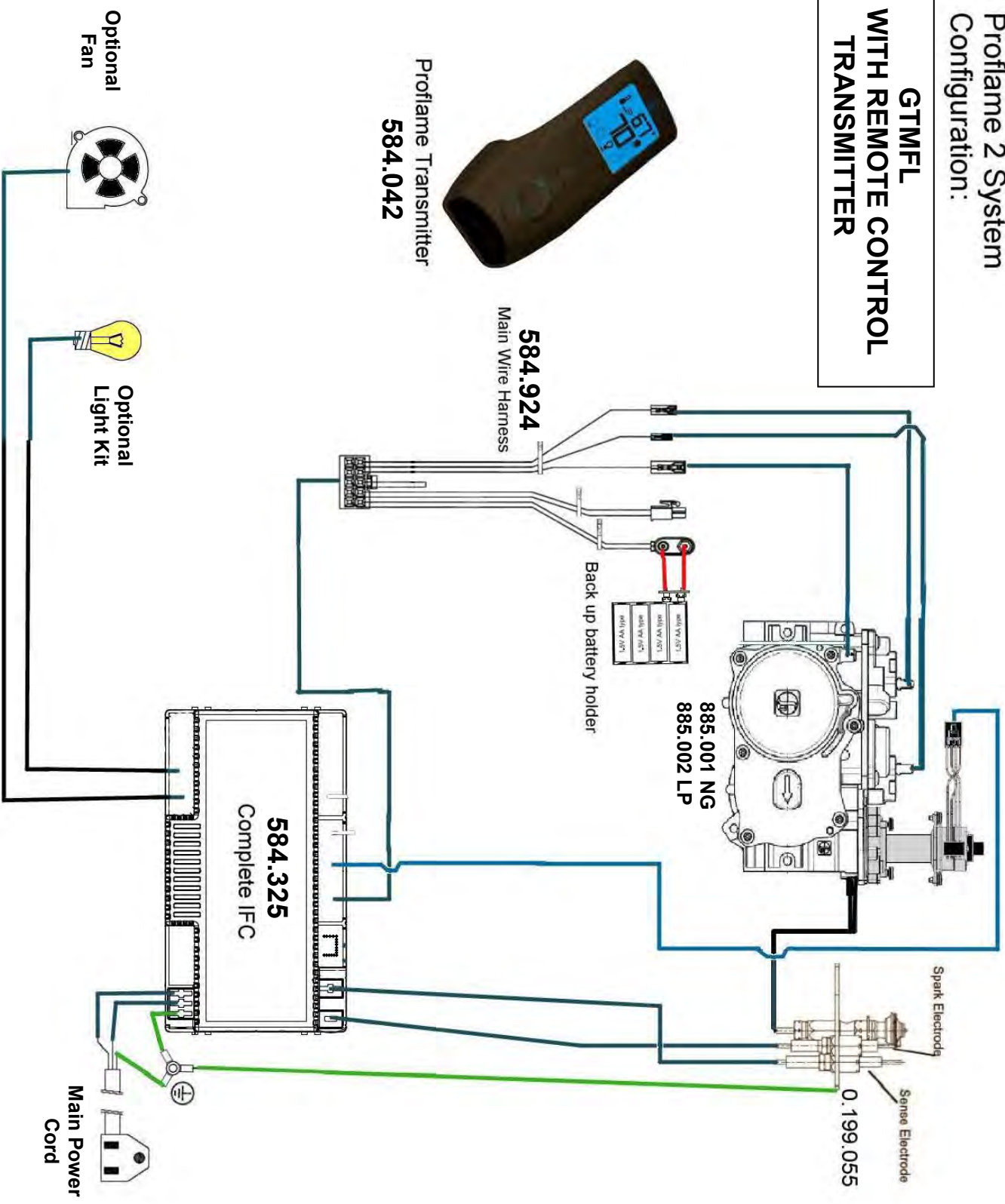
## Proflame 2 Parts List

| ITEM NO. | PART NUMBER | DESCRIPTION   |
|----------|-------------|---|
| 1.       | 1005-P001si | IPI Valve NG with Stepper Motor 885.001                               |
| 2.       | 1005-P002si | IPI Valve LP with Stepper Motor 885.001                               |
| 3.       | 1005-P325si | Module IPI PF2 584.325  |
| 4.       | 1005-P924si | Harness PF2 IPI 584.924   |
| 5.       | 1005-P042si | Transmitter PF2 584.042   |
| 6.       | 1002-P033si | Pilot NG IPI 199.059  |
| 7.       | 584-PWR-C   | Wire Harness PF2 Main Power Cord                                      |
| 8.       | 584-X4P     | Connector- ON/OFF Jumper PF2 651-1766990                              |
| 9.       | 584-X10     | Wire Harness PF2 - Accessories  |
| 10.      | 584-ACC01-C | Wire Harness PF2  |
| 11.      | 1001-P591si | Battery AAA 658-LR03XWA Transmitter                                   |
| 12.      | 1002-P12BH  | Battery Housing   |
| 13.      | 1005-P2SCH  | Label – PF2 Schematic Decal   |
| 14.      | 1006-P307si | Integrated Fireplace Control (Basic) 0.584.307                        |
| 15.      | 1006-P920si | Wire harness (Valve, APS connection Jumped, CPI connection) 0.584.920 |
| 16.      | 1006-P921si | Wire harness for Split flow 0.584.921 (Not available)                 |
| 17.      | 584-X12     | Power Vent Harness  |
| 18.      | 1006-P002si | IPI Valve NG Hi / Lo  |
| 19.      | 1006-P003si | IPI Valve LP Hi / Lo  |

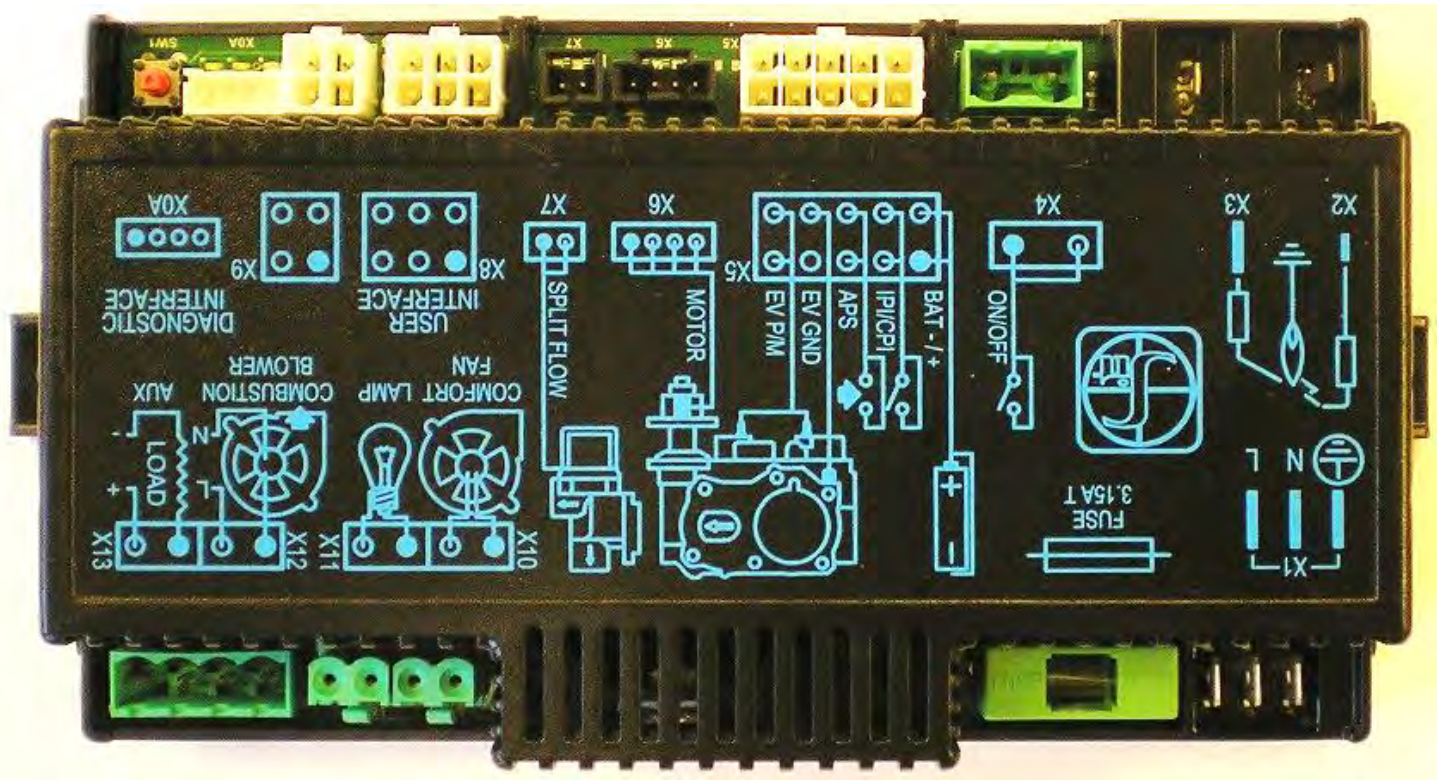


# Profame 2 System Configuration:

## GTMFL SHIPS WITH REMOTE CONTROL TRANSMITTER



## Proflame 2 Module



### INTRODUCTION

The Proflame2 IFC (Integrated Fireplace Control) board is a device that allows the automatic ignition and pilot flame supervision, to command the functions of a hearth appliance.

It is configured to control the ON/OFF main burner operation, giving the choice of both IPI (intermittent pilot ignition), and CPI (continuous pilot ignition) modes.

The Proflame2 IFC board controls directly the pilot assembly and an automatic valve 880, 886 and 885 of the Proflame families using low voltage electric power.

The IFC board is powered by Line voltage (AC) with provision of battery back up in case of main power loss. Fans and lighting features will not function when the IFC is powered by battery backup.

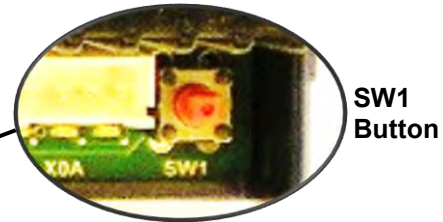
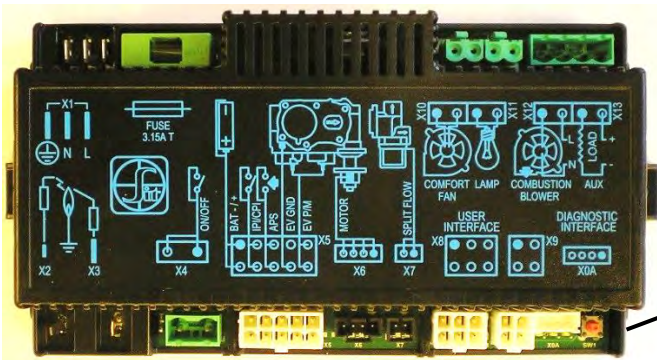
The Proflame IFC has the ability to control the comfort fan through 6 speeds, modulate an accent light through 6 levels and switch on or off an auxiliary output via the remote transmitter.

### Low battery power detection

The life span of the receiver batteries depends on various factors: quality of the batteries used, the number of ignitions of the appliance, the number of changes to the room thermostat set point, etc. When the receiver batteries are low a “double-beep” will be emitted from the IFC when it receives an On/Off command from the transmitter.

This is an alert for a low battery condition of the receiver and after that no more command will be accepted. When the batteries are replaced the “beep” will be emitted from the receiver as soon as powered.

# Proflame 2 Remote Control



## Pairing Remote Control:

- Install the 3 AAA type batteries in the battery bay, located on the base of the Remote Control. Note polarity of the batteries and insert them as indicated.
- Connect the AC power supply to the IFC.
- Press the SW1 button on the IFC module so the IFC will “beep” and a red LED is illuminated to indicate that the IFC is ready to synchronize with a Remote Control within 10 seconds. With the batteries already installed in the Remote Control, push the ON button. The receiver will “beep” four times to indicate the Remote Control’s command is accepted.

The system is now initialized.

## Resetting Proflame II Module for Manual Use

Should the transmitter get misplaced, broken or not wanted the PF2 Module can be reset to a manual system. A manual on/off switch or thermostat may be installed at the X4 connector (this connection is Jumped at the factory) no power is required.

The following sequence must be followed to reset the PF2 Module:

- Press the Red **SW1** button until you hear three beeps.

- Within 10 seconds press the **SW1** button again until you hear it beep.
- The PF2 module may now be turned on/off manually (x4 connector) by a switch (not supplied), the pilot will remain on CPI (continuous pilot ignition) mode, all other functions of main burner, fan and lights will be on the high setting.

## Fan Startup and Shutdown Timings:

Fan setting is started with a delay of 5 minutes from the fireplace ignition and stopped with a delay of 12 minutes from the fireplace switching off.

## Low battery power detection

When the Remote Control’s batteries are low, a Battery Icon will appear on the LCD display before all power is lost. When the batteries are replaced this icon will disappear.

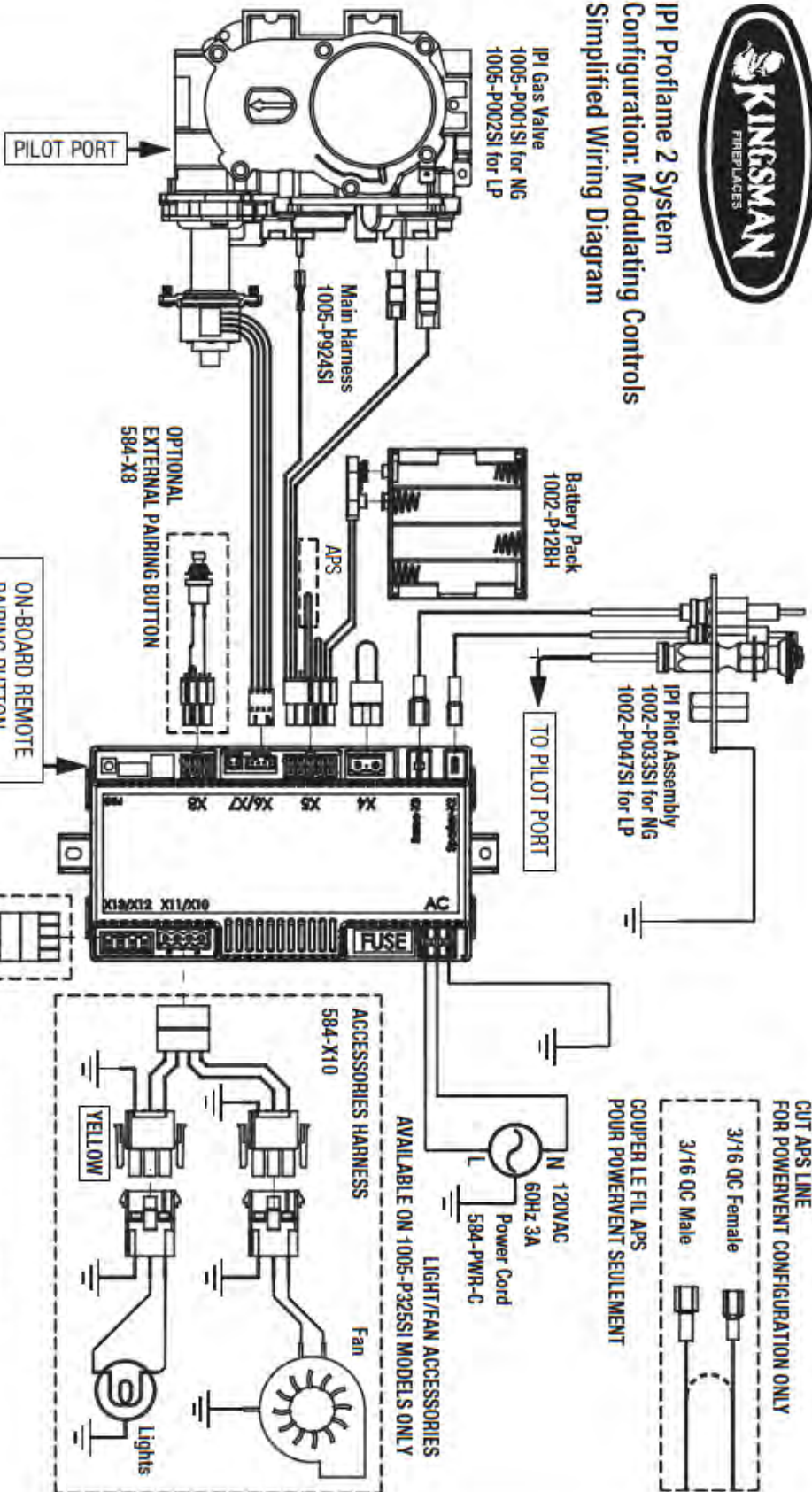
## Battery backup

The PF2 module is powered by line voltage (AC) with provision of battery backup in case of main power loss. Fans and lighting features will not function with the PF2 module is powered by battery backup. It is recommended that the 4 x AA batteries are changed before each heating season.





# IPI Proflame 2 System Configuration: Modulating Controls Simplified Wiring Diagram



Manufactured by: Kingsman Fireplaces  
2340 Logan Avenue  
Winnipeg, MB R2R 2V3

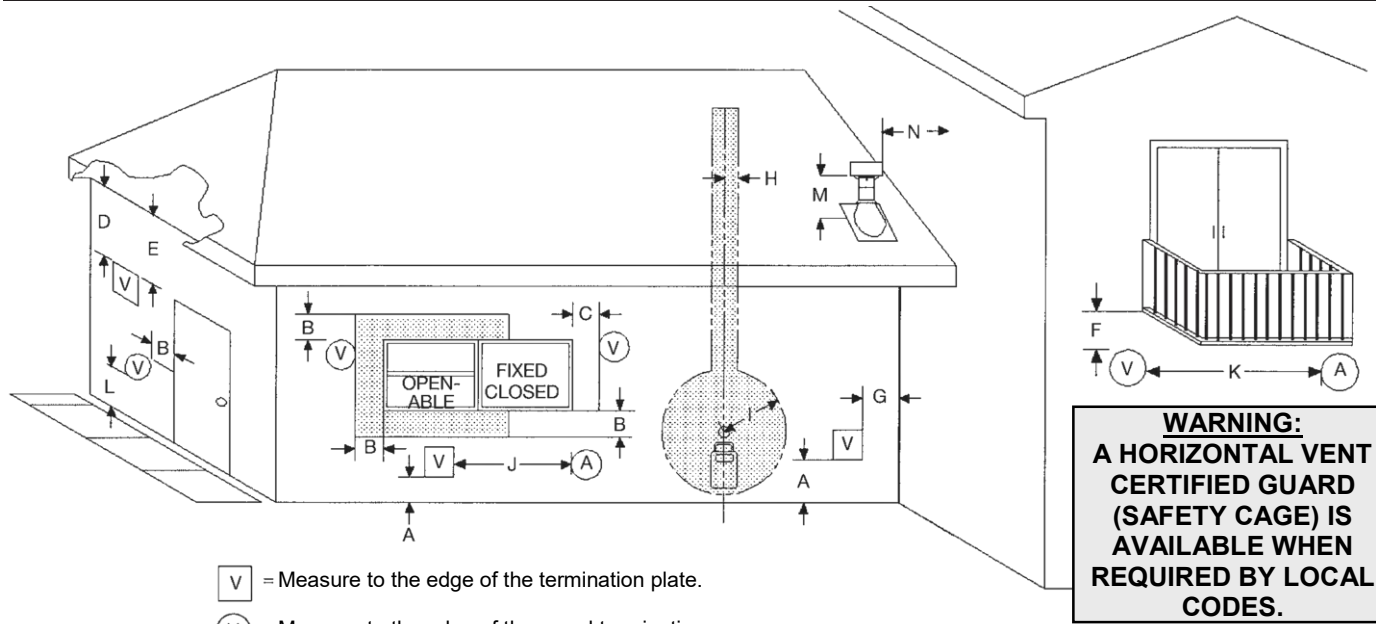
For use with all Kingsman manufactured IPI Proflame 2 models, for all types of gas noted on rating plate. Supply 120VAC 60Hz 3A, 6 volts battery backup.

Pour utilisation avec tous les modèles IPI Proflame 2 fabriqués par Kingsman, pour tous les types de gaz noté sur la plaque signalétique. Voltage d'alimentation: 120VAC 60Hz 3A et 6 volts pour le bloc-piles de secours.

This component should be installed by a qualified service agency.  
Cette composante doit être installée par une entreprise de service qualifiée.

Part #1005-P2SCH

# Vent Termination



- V = Measure to the edge of the termination plate.
- V = Measure to the edge of the round termination.

## V Vent Terminal

## V Air Supply

- A. Clearance above grade, veranda, porch, deck, or balcony 12 inches (30cm) minimum.1
- B. Clearance to window or door that may be opened. 12 inches (30cm) minimum for appliances 100 000 Btuh (30 kW) and lower, in Canada. 9 inches<sub>2</sub> (23cm) for appliances 50 000 Btuh and lower, in USA.
- C. Clearance to permanently closed window minimum 12 inches (30cm) recommended to prevent condensation on window, in Canada. 9 inches<sub>2</sub> (23cm) for appliances 50 000 Btuh and lower, in USA.
- D. Vertical clearance to ventilated soffit located above the termination within a horizontal distance of 2 feet (60cm) from the center line of the termination. 18 inches (46cm) minimum.<sub>5</sub>
- E. Clearance to unventilated soffit 12 inches (30cm) minimum.
- F. Clearance under veranda, porch, deck or balcony 12 inches<sub>4</sub> (30cm) minimum.<sub>4</sub> US<sub>5</sub>
- G. Clearance from a perpendicular inside wall or outer corner to the edge of the vent terminal plate is 3" (minimum).
- H. Clearance to each side of center line extended above meter/regulator assembly 3 feet (91cm) within a height 15 feet (4.5m) above the meter/regulator assembly.
- I. Clearance to service regulator vent outlet 3 feet (91cm) minimum.<sub>1</sub> US<sub>5</sub>
- J. Clearance to non-mechanical air supply inlet to building or the combustion air inlet to any other appliance: In Canada, 6 inches (15cm) for appliances ≤10,000 Btuh (3kW), 12 inches<sub>1</sub> (30cm) minimum for appliances >10,000 Btuh (3kW) and ≤100,000 Btuh (30kW), 36 inches (91cm) for appliances >100,000 Btuh (30kW). In the USA, 6 inches<sub>2</sub> (15cm) for appliances ≤10,000 Btuh (3kW), 9 inches (23cm) for appliances >10,000 Btuh (3kW) and ≤50,000 Btuh (15kW), 12 inches (30cm) for appliances >50,000 Btuh (15kW).
- K. Clearance to a mechanical air supply inlet 6 feet (1.8m) minimum (1), in Canada. In USA, 3 feet (91cm) above if within 10 feet (3m) horizontally(2).
- L. Clearance above paved sidewalk or a paved driveway located on public property 7 feet (2.1m) minimum.<sub>3</sub>

## Area Where Terminal Not Permitted.

- M. Clearance above highest point of exit on roof 18 inches (45cm).
- N. Clearance to perpendicular wall 24 inches (60 cm). (Recommended to prevent re-circulation of exhaust products. For additional requirements check local codes.)
- O. A moisture-exhaust duct shall not terminate within 3 ft (1 m) in any direction of a service regulator or fresh-air intake.

NOTE: Clearances are to the edge of terminal plate, add 6-3/4" to clearances to arrive at center line.

NOTE: Local Codes or Regulations may require different clearances.

## Termination

It is imperative that the vent termination be located observing the minimum clearances as shown. There must not be any obstruction such as bushes, garden sheds, fences, decks or utility buildings within 24" from the front of the termination plate.

Do not locate termination where excessive snow or ice build-up may occur. Be sure to check vent termination area after snow falls and clear to prevent accidental blockage of venting system. When using snow blowers, make sure snow is not directed towards vent termination area.

Venting terminal shall not be recessed into a wall or siding. If finishing the outside wall with vinyl or wood siding it is recommended that a Siding Shield be installed, Part Number ZDVSSLR.

1. In accordance with the current CSA B149.1, Natural Gas and Propane Code.
2. In accordance with the current ANSI Z223.1/NFPA 54, National Fuel Gas Code.
3. A vent shall not terminate directly above a sidewalk or paved driveway that is located between two single family dwellings and serves both dwellings.
4. Permitted only if veranda, porch, deck, or balcony is fully open on a minimum of two sides beneath the floor.
5. Clearance in accordance with local installation codes and the requirements of the gas supplier.

## General Vent Installation

This gas appliance is approved to be vented either through the side wall or vertically through the roof. Only Kingsman Flex (Z-Flex) Venting Kits and components specifically approved and LABELED for this fireplace may be used.

**⚠ WARNING: DO NOT** mix parts from different systems unless stated in the manual.

### Flex Pipe Venting

Kingsman Flex pipe is shipped in unexpanded length. When installing pipe expand the lengths. Pipe can be expanded to twice their lengths e.g. 4ft. to 8ft. fully expand pipe and cut off excess.

Do not use more than 2 couplers to extend short pipes. Single sections are preferred in an installation attaching at the fireplace and termination.

Place the spring spaces provided approximately every two feet to stabilize 4" flex in the center of 7" flex. When forming bends place spring in bend or before and after.

Horizontal runs require support metal straps every 2 feet. In off set installation support straps should be used to stabilize pipe. Expand 4" and 7" flex pipe to the point that the 7" protrudes approximately 2 to 3 inches past outer wall and the 4" flex protrudes approximately 2 to 3 inches past the 7" flex. Attach the 4" pipe to the termination first and secure with sealant and 4 (four) screws then attach the 7" flex to the termination with caulking and screws. Termination may then be moved back to the outer wall and attached to home screwing into the framing. Silicone around termination to waterproof. If siding shield is going to be used attach this using same attaching hole as the top of termination after termination has been caulked for water proofing.

### Use Hi Temp Sealant

Apply a bead of mill pac high temp sealant to all joints and use four screws to secure each pipe at fireplace, termination and any joint if joining any sections of pipe.

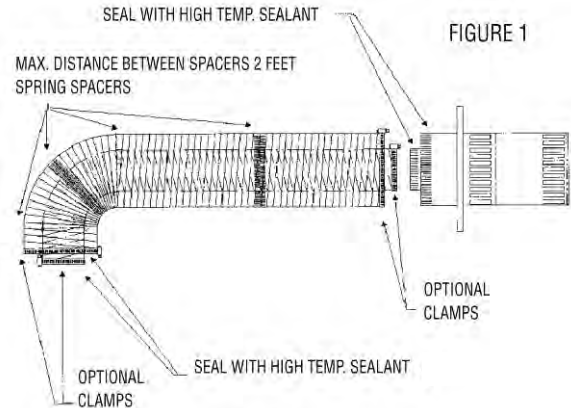
### FRAMING DIMENSION

#### Combustible Wall

Cut an 11" hole through exterior wall and frame as shown below.

#### Non combustible Wall

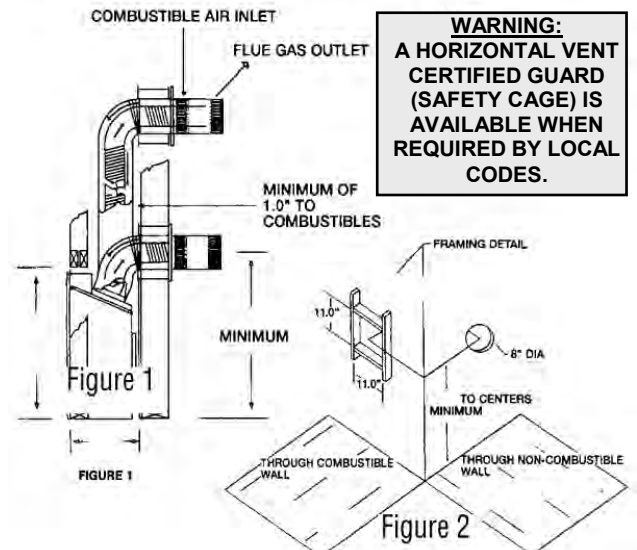
Cut or drill 8" or 204mm diameter hole.



**NOTE:** It is critical to the proper and safe operation of this fireplace that on all connections the inner liner and the outer casing are both caulked with liberal amounts of sealant. Do not use any kind of tape or silicone other than that recommended in this manual, Mill Pac Sealant. If venting has been disassembled, reassemble and reseal in the same manner as specified here.

## Installation of Side Wall Venting

- To determine the minimum distance from the bottom of the fireplace to the center of the vent see page 8. Cut a hole through the wall allowing for an 11" x 11" (inside diameter) in combustible walls for wall thimble or an 8" diameter hole in a non-combustible wall (See Figure 2).
- For the clearance to combustibles above a 90 degree bend see Clearance to Combustibles section.
- Select the approximate vent length, precise measurements are not needed as your flex pipe can be expanded to twice its shipped length for ease of installation.
- To install wall thimble centre over 11" x 11" (inch) framing from both sides of wall and secure. Route flex vent pipe through wall thimble (See Figure 1).
- Before joining pipes, apply a bead of high temperature sealant (Mill Pac) to end of pipe. First attach the four inch (4") flue pipe to the vent termination with sealant, and secure with 4 screws provided. At this time make sure the spacer springs are attached to the (4") flex pipe as required. Then attach the seven inch (7") pipe by the same method.
- Mount vent termination and seal to wall using caulking around the wall thimble to weather proof. After installing the vent termination, double check to make sure the pipe extends properly through wall thimble and into vent termination.
- Before joining pipes to fireplace flue, apply a bead of high temperature sealant (Mill Pac) to end of pipe. First attach the four inch (4") flue pipe to fireplace with Mill Pac sealant to the flue pipe and secure with 4 screws provided. At this time verify that the spacer springs are attached properly to the (4") flex pipe as required. Then attach the seven inch (7") pipe by the same method.
- Support horizontal pipes every two (2) feet (61 cm) with metal strap bands. Re-check fireplace to make sure it is levelled and properly positioned and secured.
- Support vertical pipes to maintain a minimum of 1" or greater clearance to combustibles with metal strapping bands.
- If finishing the outside wall with vinyl or wood siding it is recommended that a Siding Shield be installed, Part Number ZDVSSLR.
- A Termination Safety Cage (#FDVHSCU) is available.



**WARNING:**  
A HORIZONTAL VENT CERTIFIED GUARD (SAFETY CAGE) IS AVAILABLE WHEN REQUIRED BY LOCAL CODES.

# Venting Routes And Components

## Venting Routes And Components

Since it is very important that the vent system maintain its balance between the combustion air intake and the flue gas exhaust, certain limitations as to vent configurations apply and must be strictly adhered to.

The table showing the relationship between vertical and horizontal side wall venting will help to determine the various vent lengths.

The maximum horizontal run is 20 ft/6.1 m when the vertical run is 7 ft/2.1m (Figure #2). Note: 1/4" vertical rise is required for every 12" of horizontal run.

The maximum number of 45 degree bends per side wall installation is two (2) in the horizontal run and then you must reduce the length of the horizontal by 18 inches for each 45 degree bend.

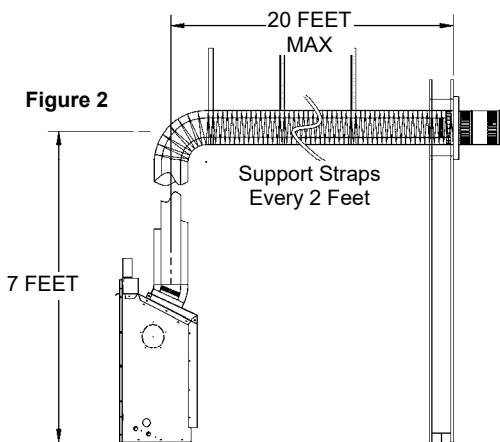
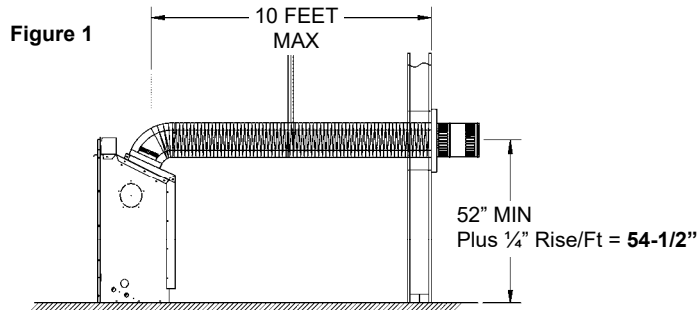
The maximum vertical run is 43 ft/13.1 meters.

Special Note: For each 45 degree bend installed in the horizontal run, the length of the horizontal run must be reduced by 18" (45cm). This does not apply if the 45 degree bends are installed on the vertical part of the vent system.

**Example:** If according to the table, the length of the horizontal run is 10 feet, and two 45 degree bends are required, the horizontal run length must be reduced to 7 feet.

2 additional 90° bends or equals are allowed. The horizontal run must be reduced by 36" per each 90° bend, or 18" per each 45° bend.

**IMPORTANT:** Always locate the fireplace in such a way that a minimum of offsets and/or horizontal runs are required. 1/4" vertical rise is required for every 12" horizontal run.



## How To Use The Horizontal Vent Table

1. Determine the height of the system and the number of bends required.
2. Having determined the vertical distance determine the maximum horizontal section allowed.
3. Vent table has been established for 90° horizontal/vertical runs. With use of flex pipe distance not having 90° bends will not fall into vent table standards. See Fig. B.

### -Horizontal Venting Table From Bottom of Fireplace-

For venting to a maximum of 43ft (13.1 meters).

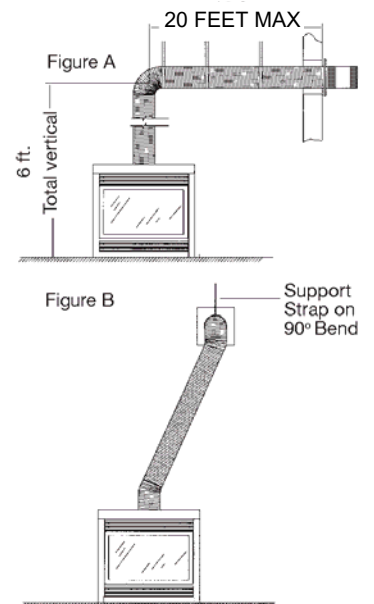
| Total Vertical  |        | Max Total Horizontal |        |
|-----------------|--------|----------------------|--------|
| Feet            | Meters | Feet                 | Meters |
| 4'-4" (52" Min) | 1.3    | 10                   | 3.0    |
| 5               | 1.5    | 15                   | 4.6    |
| 6               | 1.8    | 20                   | 6.1    |
| 7               | 2.1    | 20                   | 6.1    |
| 8               | 2.4    | 20                   | 6.1    |
| 9               | 1.8    | 20                   | 6.1    |
| 10              | 3.0    | 20                   | 6.1    |
| 11              | 3.4    | 20                   | 6.1    |
| 12              | 3.7    | 20                   | 6.1    |
| 13              | 4.0    | 20                   | 6.1    |
| 14              | 4.3    | 20                   | 6.1    |
| 15              | 4.6    | 20                   | 6.1    |
| 20              | 6.1    | 20                   | 6.1    |
| 25              | 7.6    | 15                   | 4.6    |
| 30              | 9.1    | 10                   | 3.0    |
| 43 (Max)        | 13.1   | 0                    | 0      |

### Example A:

If the vertical dimension from the floor of the fireplace is 6ft, the horizontal run to the wall flange of the vent termination must not exceed 20ft.

**NOTE:** The final location of the fireplace must be such that the horizontal vent dimensions fall within those stated on the graph. The Maximum Vertical vent run is 43ft. (13.1 meters).

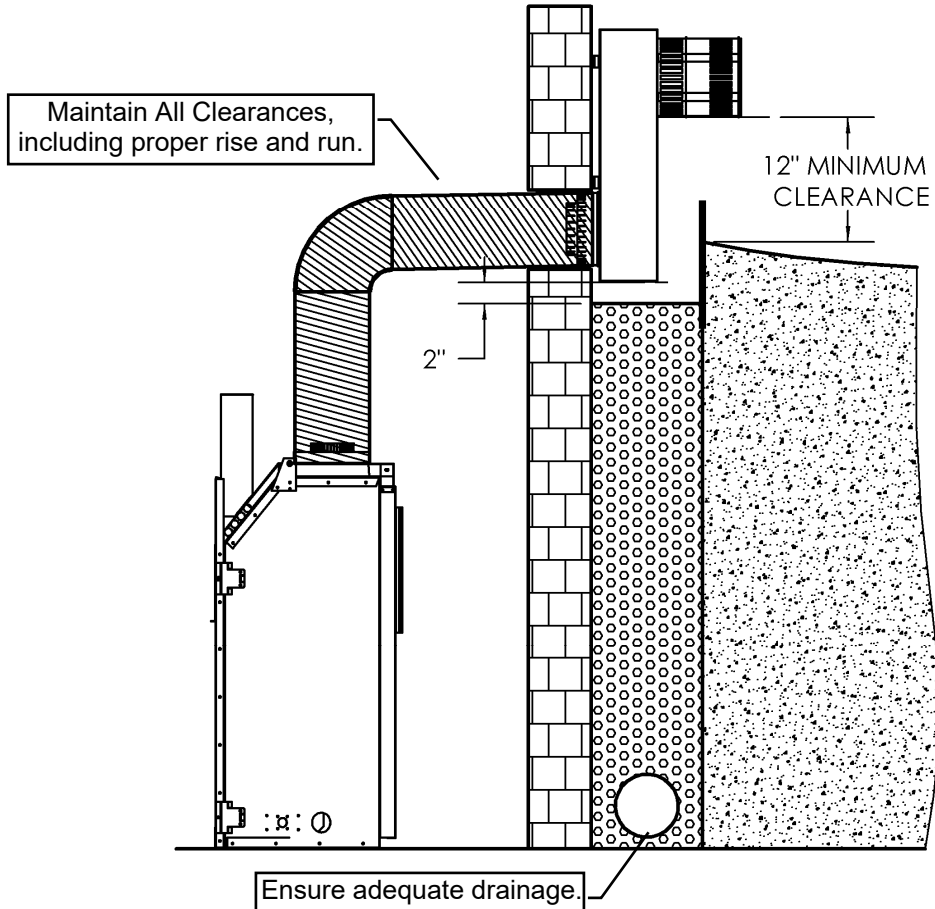
**Important:** Minimum clearance between vent pipes and combustible materials is 1 inch (25mm).



Two snorkel terminations are available if a vertical rise is necessary on the exterior side of a building:

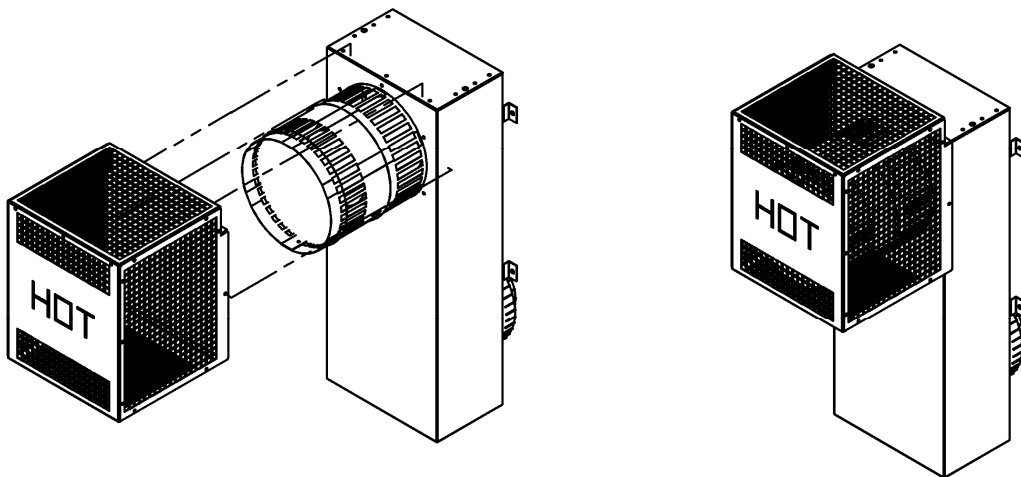
**Z47ST24** (24" Tall, 14-1/2" Center to Center)      **Z47ST36** (36" Tall, 26-1/2" Center to Center)

Follow standard horizontal venting installation procedures. If the Snorkel Termination is to be located below grade, a window well is recommended with adequate and proper drainage as per local codes. Leave 2" clearance below snorkel to prevent water from entering the Snorkel Termination. Do not enclose the Snorkel within a wall or other type of enclosure and **do not back fill**. Ensure that grade level slopes away from the building. Follow all local codes.



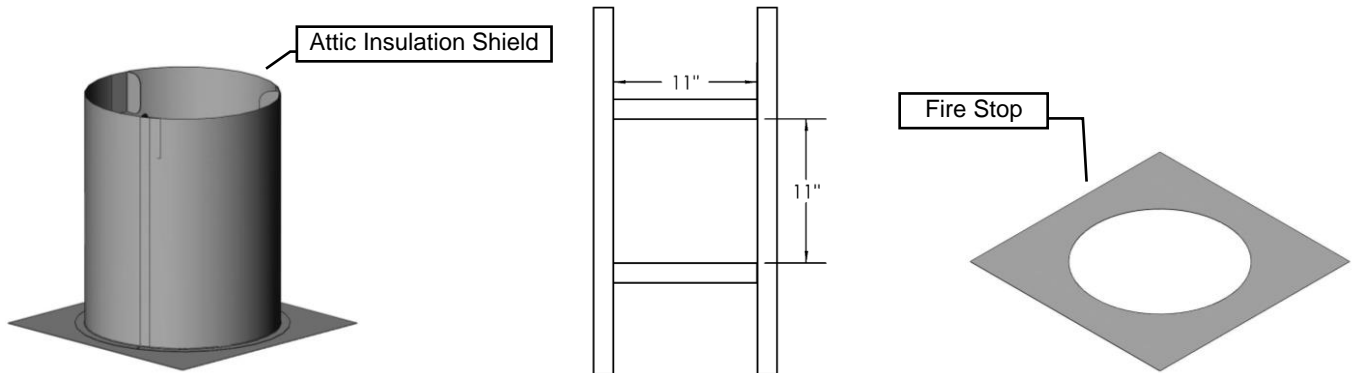
**-FOLLOW ALL LOCAL CODES-**

- A safety cage (Z57STSC) is also available. Place safety cage over snorkel and mount with [4] DT screws (supplied with safety cage).



## Venting Straight Up Through Roof

An Attic Insulation Shield must be installed where the vent passes from a lower living space into an attic space where the chimney is not enclosed. It is designed to keep insulation materials away from the chimney. When installing the Attic Insulation Shield where the chimney passes from a living space to an attic space, install the shield from below and nail in place using 1" spiral nails. A fire stop must be installed on the bottom side of the joists when passing through a ceiling or floor. If an attic insulation shield is to be used, a fire stop is not required.



### Using Flex Bends

Avoid cutting joists by offsetting the flex pipe.

When using 45° bends a bend support is required directly above the highest bend.

When installing a bend in a joist area a minimum of 4" clearance to combustibles to the top of bend must be maintained, sides and bottom of pipe, a 1" clearance to combustibles must be maintained. If running horizontal through an area a 1-1/2" minimum clearance to the top of the horizontal pipe must be maintained.

Maximum vertical height of system should not exceed 43 feet.

Use roof support and rigid pipe at roof level. Flex pipe is not permitted within roof support.

When penetrating the roof a rigid galvanized pipe must be used. Attach flex pipe to the rigid pipe with high temperature sealant, secure with four screws assuring the flex pipe and rigid pipe are secured. Attach rigid pipe to termination with sealant and screw with 4 sheet metal screws. The Inner flex pipe must be secured with 4 screws which must penetrate both the flex pipe and inner section of termination. Attach 7" rigid pipe to 7" termination with sealant and screw with 4 sheet metal screws.

Vertical termination clearance is 18" [45.7cm] above the roof, measured from highest point of exit on the roof line.

Support vertical pipes to maintain minimum of one inch or greater clearances to combustibles.

### Roof Flashing

Ensure that you have the proper roof flashing by checking your roof pitch using a level and two rulers, or by using a roof pitch card. Slide a Roof Flashing suitable to your roof slope over the vent. Place the edge of the flashing plate that will be on the higher part of the roof slope under the shingles. Both the sides and the lower edge lay on top of the shingles.

**NOTE: At the top edge of the flashing plate, lift the shingles and nail the plate to the roof deck, then cement the shingles to the plate with a suitable waterproof mastic.**

Ensure that the chimney is plumb. Square up the flashing plate and nail in place to the roof deck. Use 12 nails with neoprene washers or cover the heads with a suitable waterproof mastic. Wrap the storm collar around the vent above the flashing. Secure the ends together loosely with nut and bolt supplied. Slide the collar down the vent until it comes in contact with the flashing. Tighten the bolt and seal the Storm Collar to the vent with a suitable waterproof non-combustible mastic.

The flashing and storm collar should be painted to match the roof shingles. This will extend its life and improve the appearance. Clean, prime and paint with suitable painting products.

### Vertical Venting in Cold Climates

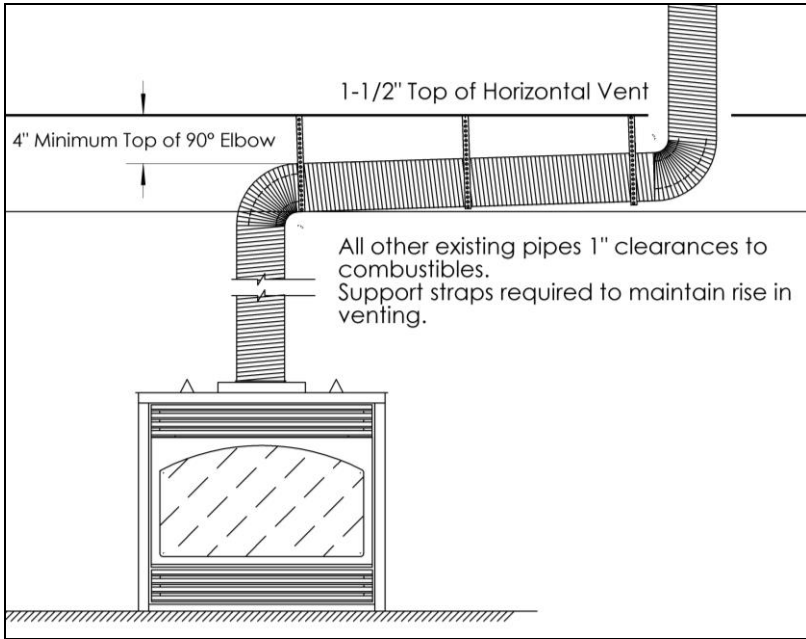
In cold climate conditions where temperatures go below -10 degrees Celsius or 14 degrees Fahrenheit, we recommend that the chase be insulated and where the vent pipe enters into the attic space that the pipe be wrapped with an insulated Mylar sleeve. This will increase the temperature of the vent and help the appliance to vent properly in cold weather conditions.

It is also important in vertical vented direct vent appliances that the appliance be operated daily during the winter months as this will help stop the termination from freezing up.

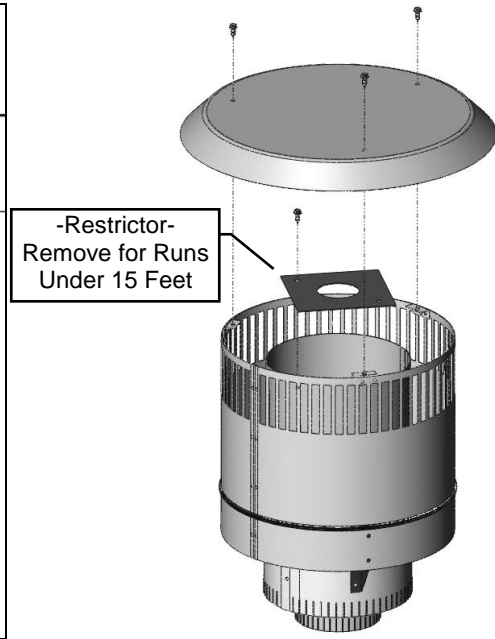
We recommend using a thermostat set at room temperature to allow the unit to cycle.

For IPI models it may be necessary to set the appliance to Standing Pilot mode to maintain heat in the cavity. The purpose of this procedure is to prevent cold air from penetrating the chimney and then onto the living space. Therefore, when the internal temperature is slightly elevated the fireplace is able to freely exhaust its combustion and hence making it easier to startup.

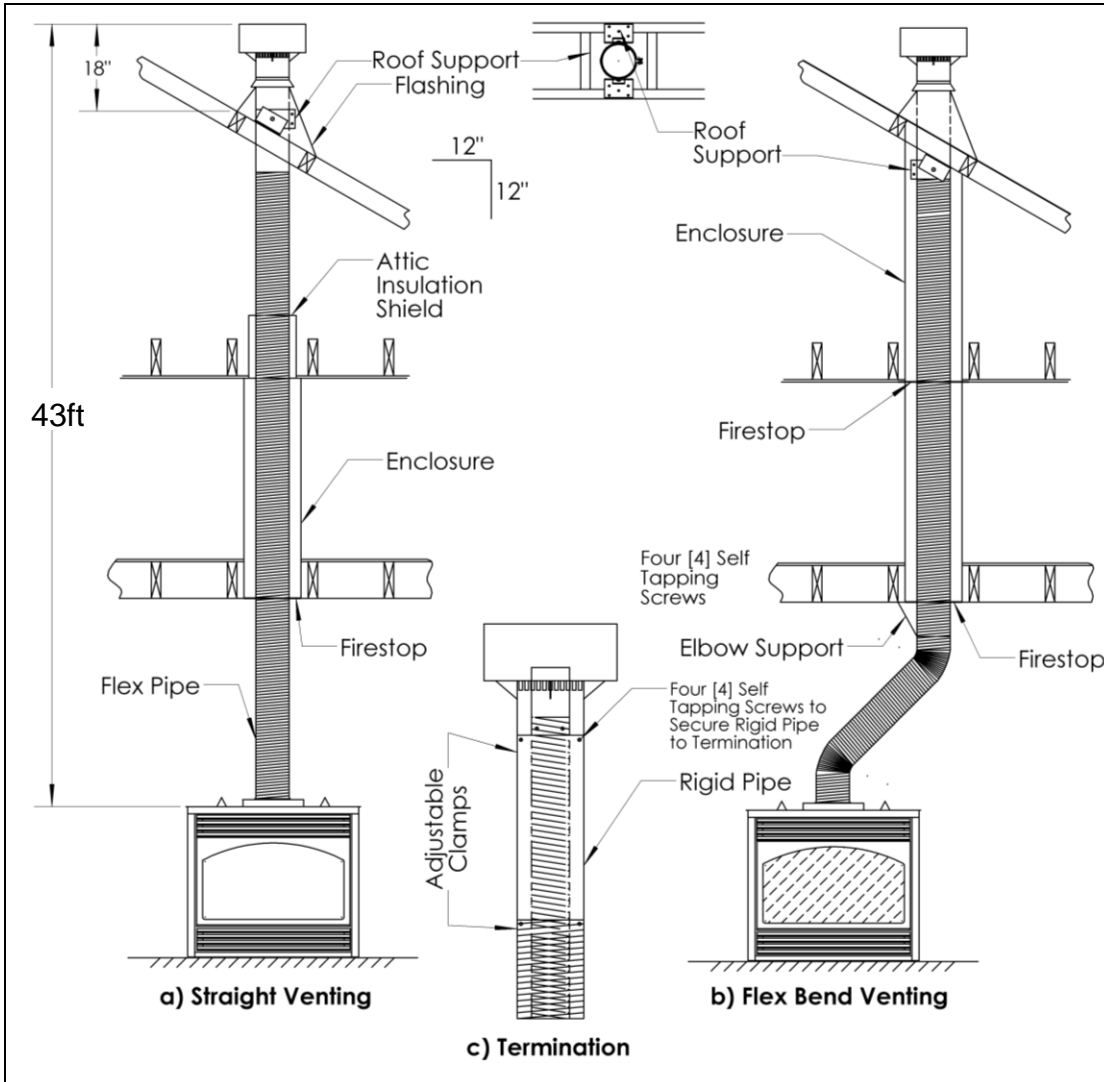
**-ALSO SEE DIAGRAMS ON FOLLOWING PAGE-**



Clearances in horizontal venting.



Z47VT



Straight-through roof support configuration; b) Flex bend configuration; c) Termination mounting

## -Glass Safety- All Units


### IT IS THE RESPONSIBILITY OF THE HOME OWNER TO ENSURE THAT NO ONE TOUCHES A HOT APPLIANCE.

If the barrier becomes damaged, the barrier shall be replaced with the manufacturer's barrier for this appliance.

Any safety screen, guard, or barrier removed for servicing the appliance, must be replaced prior to operating the appliance.

- Children and adults should be alerted to the hazards of the high surface temperatures of this appliance and should stay away to avoid burns or ignition of clothing.
- Do not clean when the glass is hot.
- Young children should be carefully supervised when they are in the same room as the appliance. Toddlers, young children and others may be susceptible to accidental contact burns.
- A physical barrier is recommended if there are at risk individuals in the house. To restrict access to a fireplace or stove, install an adjustable safety gate to keep toddlers, young children and other at risk individuals out of the room and away from hot surfaces.
- Do not leave the fireplace remote control where it is accessible to children.

 **DANGER**



**HOT GLASS WILL CAUSE BURNS.**

**DO NOT TOUCH GLASS UNTIL COOLED.**

**NEVER ALLOW CHILDREN TO TOUCH GLASS.**

A barrier designed to reduce the risk of burns from the hot viewing glass is provided with this appliance and shall be installed for the protection of children and other at-risk individuals.

## -Termination Cap Safety- All Units

 **WARNING:**

**A HORIZONTAL VENT CERTIFIED GUARD (SAFETY CAGE) IS AVAILABLE WHEN REQUIRED BY LOCAL CODES.**

### SAFETY CAGES ARE AVAILABLE FOR ALL HORIZONTAL VENT TERMINATIONS. CHECK WITH YOUR DEALER.

- **TERMINATION CAP IS HOT!** Do not place flammable materials on or within 24 inches of termination caps.
- It is imperative that the vent termination be located observing the minimum clearances as shown in manual.
- There must not be any obstruction such as bushes, garden sheds, fences, decks or utility buildings within 24" from the front of the termination plate.
- Do not locate termination where excessive snow or ice build-up may occur. Be sure to check vent termination area after snow falls and clear to prevent accidental blockage of venting system. When using snow blowers, make sure snow is not directed towards vent termination area.
- Venting terminal shall not be recessed into a wall or siding.



## Approved for Power Vent PVH58

### The PVH58 Horizontal Power Vent is approved for the following models only:

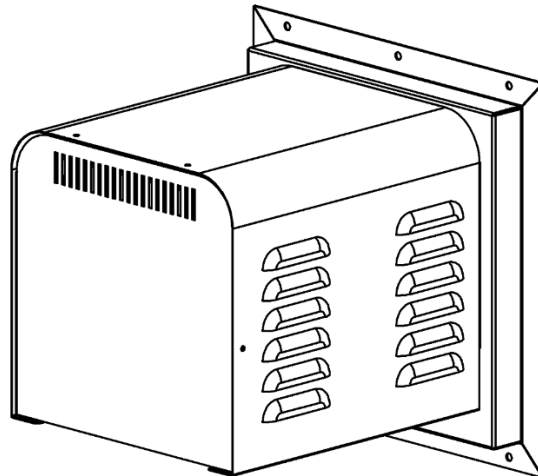
MDV31, MDV39, MQRB3632, ZDV3622, MQZDV3622, ZDV3622, ZDV3622, ZDV3622, HBZDV3624, HBZDV3628, HBZDV3632, MQHBZDV3636, HBZDV4224, HBZDV4228, HBZDV4232, MQHBZDV4236, HBZDV4740, MQHBZDV4736, MQRB4436, MQRB5143, MQRB6961, ZRB46, ZCV3622, ZCVRB3622, ZCV39, ZCV42, MCV42, MCVST42, MQZDV3927\*, MQZDV4634\*, MQZCV48, VRB46

**\*NOTE:** For MQZDV3927 and MQZDV4634, Power Vent Control Module (PVCM) must be placed outside of Fireplace.

The PVH58 Horizontal Power Vent Termination is intended for use where standard venting configurations are not possible.

**NOTE:** MODELS EQUIPPED WITH MILLIVOLT/ STANDING PILOT IGNITION: Downward vertical vent runs are **NOT** permitted.

**NOTE:** MODELS EQUIPPED WITH INTERMITTENT PILOT IGNITION: Downward vertical vent runs are permitted, however, Cold Climate Switch (Standing Pilot Mode) must not be used.



### PVH-58 Maximum / Minimum Vent Lengths:

**Maximum** Vent Length is 125 ft plus six 90° elbows with Air Intake Shutter fully closed. Termination must not be below unit.

This power vent can be installed up to 3ft below the installed fireplace on runs less than 100ft and not more than four 90° elbows.

**Minimum** Vent Length is 3ft horizontal plus minimum vertical rise with Air Intake Shutter fully open.

Refer to your appliance manual for Minimum Vertical Rise before First 90° elbow (Measured from bottom of appliance to center of vent pipe) to avoid overheating of vent pipe.

Refer to PVH58 Manual for proper installation and use.

## PVH58 Power Vent Parts List

**NOTE: THE HARD PIPE VENTING AND ADAPTERS IN THIS SECTION ARE TO BE USED IN CONJUNCTION WITH A PVH58 POWER VENT ONLY FOR THE VRB46**

| PART NUMBER  | DESCRIPTION |
|--|-------------|
| <b>PVH58 HORIZONTAL POWER VENT TERMINATION</b> Listed for Canada and USA |             |

**CHOOSE TYPE OF VENTING FOR POWER VENT: OPTION 1 HARD PIPE OR OPTION 2 FLEX PIPE:**

**OPTION 1: Hard Pipe Used for entire installation (Duravent-DirectVent Pro, etc.) at the fireplace:**

**(Both adapters will be used one at the fireplace flue, the other at the power vent termination)**

|   |  |
|---|--|
| ZDVKDA  | Duravent Fireplace Adapter                                 |
| ZDVKDIA   | Duravent Pipe Increaser (Adapts 4/6-5/8" venting to 5/8")* |
| <b>*Allows one to use 4/6 /5/8 Hard Pipe for Installation, then switching to 5/8" Hard Pipe at Power Vent</b> |  |

**OPTION 2: Flex Vent used for entire installation:**

|        |   |
|--------|---|
| Z47PVA | Pipe Reducer 8"Sm – 7"Sm, Pipe Reducer 5"Sm – 4"Sm<br>(Adapts PVH58 and one foot section of 5/8" to accept 4/7" Flex Pipe)* |
|--------|---|

**\* NOTE: One 12" section of 5/8" hard pipe must be connected directly to the Power Vent before any adapters are connected.**

**Order the appropriate lengths of flex venting (see below).**

|         |  |
|---------|--|
| ZDVFK5  | Flex Kit (4" & 7" Dia.) x 2.5' (Unexpanded) 5' Expanded  |
| ZDVFK8  | Flex Kit (4" & 7" Dia.) x 4' (Unexpanded) 8' Expanded  |
| ZDVFK20 | Flex Kit (4" & 7" Dia.) x 10' (Unexpanded) 20' Expanded<br>*Kits are complete with spring stand-offs & silicone. |
| ZDV4FC  | Flex Connector 4" Diameter   |
| ZDV7FC  | Flex Connector 7" Diameter   |
| ZDV4SS  | Spring - Standoff Spacer for Inner Pipe  |

**PVH58 TERMINATION COMPONENT PARTS:**

|             |   |
|-------------|---|
| 58PVH-230S  | Blower Motor and Housing Assembly                       |
| 58PVH-230F  | Blower Motor and Housing Assembly                       |
| 58PVH-P118  | Gasket  |
| 58PVH-P9372 | Vacuum Switch   |
| 58PVH-P119  | Silicone Tubing for Vacuum Switch                       |
| 58PVH-P3211 | 3/4" K.O. Bushing                                       |
| 58PVH-WTA   | Wall Thimble Assembly                                   |
| PVH20H      | Main Wiring Harness Assembly – Extension Harness (20ft) |

**PVC58MV Power Vent Control Module – Millivolt Box**

|            |                    |
|------------|--------------------|
| 58PVH-P124 | Double Pole Switch |
| 58PVH-P421 | Timer Switch       |

**PVC58IPI Power Vent Control Module – IPI Box**

|            |              |
|------------|--------------|
| 58PVH-P421 | Timer Switch |
| 58PVH-P156 | Relay        |
| 58PVH-P487 | Relay Socket |

**Fireplace Part Numbers**

|          |   |
|----------|---|
| VRB46N   | (Millivolt) Fireplace Heater Rated NG, Tempered Glass |
| VRB46NE  | (IPI) Fireplace Heater Rated NG, Tempered Glass       |
| VRB46LP  | (Millivolt) Fireplace Heater Rated LP, Tempered Glass |
| VRB46LPE | (IPI) Fireplace Heater Rated LP, Tempered Glass       |

**Enclosure Grill**

|       |  |
|-------|--|
| V46EG | Enclosure Grill – c/w 3 louver grill (ready to paint), Outer Trim Grill Mount (ready to paint), Hidden Frame Grill Mount (Black) |
|-------|--|

**Promat Facing Kit for VRB46**

|         |                   |
|---------|-------------------|
| Z46PRO4 | Precut facing kit |
|---------|-------------------|

**Wall Surrounds VRB46**

|           |  |
|-----------|--|
| ZRB46S1BL | Surround Trim Kit (44-5/8"W x 17-7/8") Black           |
| ZRB46S1SS | Surround Trim Kit (44-5/8"W x 17-7/8") Stainless Steel |
| ZRB46S2BL | Surround Trim Kit (50-1/2"W x 22-1/2") Black           |
| ZRB46S2SS | Surround Trim Kit (50-1/2"W x 22-1/2") Stainless Steel |

**VRB46 OPTIONS – MQ DEALER ONLY -**

|            |                                       |
|------------|---------------------------------------|
| RBCB1      | Cannonballs- Assorted size and colors |
| MQRBD1     | Driftwood/Rocks, 4 ea.                |
| MQRBD3     | 5 Piece Driftwood Log Set             |
| MQSTONE    | Decorative Stones                     |
| MQROCK2    | Rock Set Natural                      |
| MQROCK3    | Rock Set Multi-Color                  |
| MQEMBER    | Glowing Embers                        |
| MQG5W      | Decorative Glass 1/2" White           |
| MQG5A      | Decorative Ember Glass Cobalt Blue    |
| MQG5C      | Decorative Ember Glass - Bronze       |
| MQG5B      | Decorative Ember Glass - Black        |
| MQ46D      | Driftwood Log Set- 3pcs.              |
| MQVRB46RLF | Fluted Liners                         |

**FIREPLACE ACCESSORIES OPTIONS**

|      |                     |
|------|---------------------|
| ULK2 | Universal Light Kit |
|------|---------------------|

**Refractory Liners**

|         |                            |
|---------|----------------------------|
| ZRB46PL | Porcelain Reflective Liner |
|---------|----------------------------|

**Fan Kit / Blower**

|            |   |
|------------|---|
| Z46FK      | Fan Kit w/Variable Speed Wall Mount Control (Temperature Sensing) |
| 26IDV-P260 | Blower Motor (Replacement)  |

**Safety Screens**

|          |                           |
|----------|---------------------------|
| ZRB46CSS | Safety Screen Replacement |
|----------|---------------------------|

**Door Glass**

|            |                     |
|------------|---------------------|
| 46ZRB-311  | Tempered Glass      |
| 46ZRB-123A | Door Latch Assembly |

**Replacement Burner Assembly / Burner**

|              |   |
|--------------|---|
| 44MQ-200A2   | Burner Tube (Series II)                                 |
| 46ZRB-BLPSI  | Burner Assembly- Propane c/w Valve System (VRB46LP)     |
| 46ZRB-BNGSI  | Burner Assembly- Natural Gas c/w Valve System (VRB46N)  |
| 46ZRB-BLPSIE | Burner Assembly- Propane c/w Valve System (VRB46LPE)    |
| 46ZRB-BNGSIE | Burner Assembly- Natural Gas c/w Valve System (VRB46NE) |

**Conversion Kit**

|             |                                       |
|-------------|---------------------------------------|
| 46ZRB-CKLP  | LP Conversion Kit for VRB46 Millivolt |
| 46ZRB-CKNG  | NG Conversion Kit for VRB46 Millivolt |
| 46ZRB-CKLPI | LP Conversion Kit for VRB46 IPI       |
| 46ZRB-CKNGI | NG Conversion Kit for VRB46 IPI       |

**Accessories**

|       |  |
|-------|--|
| Z1MT  | Thermostat Millivolt Wall Mount                                |
| Z80PT | Thermostat Programmable Digital Millivolt Wall Mount (1F80-40) |

**Valve System Parts / Millivolt**

|             |                                  |
|-------------|----------------------------------|
| 1000-P136WR | Generator / Thermopile           |
| 1001-P069SI | Electrode Sparker 915.069 TC SIT |
| 1001-P216SI | Thermocouple 290.216 TC SIT      |
| 1001-P165SI | Orifice Pilot NG 977.165 TC SIT  |
| 1001-P167SI | Orifice Pilot LP 977.167 TC SIT  |
| 1001-P280SI | Tubing 24"                       |
| 1001-P633SI | Valve Nova LP Hi/Lo 0820651      |
| 1001-P634SI | Valve Nova NG Hi/Lo 0820652      |
| 1001-P713SI | Pilot Burner LP 199.713 TC SIT   |
| 1001-P714SI | Pilot Burner NG 199.714 TC SIT   |

**Remote Control / Millivolt**

|        |   |
|--------|---|
| GFRC   | Remote Control Millivolt / IPI – On/Off                   |
| GTRC   | Remote Control Millivolt - Thermostat                     |
| GTMRCN | Remote Control Millivolt – Thermostat/Modulating - NG     |
| GTMRCP | Remote Control Millivolt – Thermostat/Modulating - LP     |
| GTFRCN | Remote Control Millivolt – Thermostat/Modulating/Fan - NG |
| GTFRCP | Remote Control Millivolt – Thermostat/Modulating/Fan - LP |

**Electronic Ignition/Remote Control IPI**

|         |   |
|---------|---|
| EGTRC   | Remote Control IPI (Thermostat)                     |
| EGTMRCN | Remote Control IPI (Thermostat/Modulating - NG)     |
| EGTMRCP | Remote Control IPI (Thermostat/Modulating - LP)     |
| EGTFRCN | Remote Control IPI (Thermostat/Modulating/Fan - NG) |
| EGTFRCP | Remote Control IPI (Thermostat/Modulating/Fan - LP) |

**Electronic Ignition Replacement Parts IPI**

|              |   |
|--------------|---|
| 1006-P002si  | Valve IPI (NG; Hi/Lo)                                   |
| 1006-P003si  | Valve IPI (LP; Hi/Lo)                                   |
| 1002-P047si* | Pilot Assembly (LP)<br>*Longer (35 ") Must be used when |

|              |   |
|--------------|---|
|              | purchasing complete Pilot   |
| 1002-P033si* | Pilot Assembly (NG)<br>*Longer (35 ") Must be used when purchasing complete Pilot |
| 1002-P119si  | Spark Electrode (35")   |
| 1002-P910si  | Electrode Flame Sensor (35")  |
| 1002-P302si  | IPI Ignition Board  |
| 1002-P850si  | AC Wall Adapter   |
| 1002-P12BH   | Battery Pack  |
| 1002-P912si  | Wiring Harness  |
| 1001-P166si  | Orifice Pilot (NG)  |
| 1001-P168si  | Orifice Pilot (LP)  |
| 1002-P013si  | Stepper Motor (NG)  |
| 1002-P012si  | Stepper Motor (LP)  |
| 1002-P016si  | Hi/Lo Regulator (NG)  |
| 1002-P014si  | Hi/Lo Regulator (LP)  |

### Miscellaneous Parts

|            |  |
|------------|--|
| 1000-150GE | Silicone GE Red IS806 #736                 |
| 1000-150MP | Hi-Temp Millpac Sealant 840099             |
| 1000-214   | Piezo-Igniter 1244-17 MARK 21              |
| 1000-215   | Pal Nut (18MMX1.5MM)BLK (1364.03)          |
| 1000-218   | Switch Ivory (1451/001)                    |
| 1000-227   | Cover Ivory (86001/001)                    |
| 1000-255   | Orifice Brass - (State Size)               |
| 3600-B139  | Explosion felt Gasket                      |
| 2000-080   | Thermodisc 2450 (For Blower)               |
| 1000-306   | Thermalcord - Adhesive Back for Door Frame |
| 1000-085   | Control Variable Speed KBWC-13BV           |
| FP15GC     | Stainless Steel Gas Connector              |

### KINGSMAN FIREPLACE VENTING

|           |   |
|-----------|---|
| ZDVHSK    | Horizontal Vent Starter Kit - 3 FT Length<br>Horizontal Vent Termination, Wall Thimble, 36" Flex Pipe, Mill Pac   |
| ZDVHSK5   | Horizontal Vent Starter Kit - 5 FT Length<br>Horizontal Vent Termination, Wall Thimble, 60" Flex Pipe, Mill Pac   |
| ZDVHSKSQ  | <b>Horizontal Square Termination Vent Starter Kit -3 FT Length</b><br>Horizontal Vent Termination, Wall Thimble,<br>Wall Thimble, 36" Flex Pipe, Mill Pac |
| ZDVHSKSQ5 | <b>Horizontal Square Termination Vent Starter Kit -5 FT Length</b><br>Horizontal Vent Termination, Wall Thimble,<br>Wall Thimble, 60" Flex Pipe, Mill Pac |
| Z47VT     | Vertical Vent Termination   |
| FDVHT     | Horizontal Vent Termination   |
| FDVHSQ    | Horizontal Square Termination   |
| Z47ST24   | Horizontal Snorkel Termination<br>(24" Tall, 14-1/2" Center to Center)  |
| Z47ST36   | Horizontal Snorkel Termination<br>(36" Tall, 26-1/2" Center to Center)  |

|         |  |
|---------|--|
| Z57STSC | Safety Cage for Horizontal Snorkel Termination   |
| FDVHSCU | Safety Cage for Horizontal Termination   |
| ZDVAIS  | Attic Insulation Shield  |
| Z7AIS24 | Attic Insulation Shield 24"  |
| ZDVVOS  | Offset Support   |
| ZDVFS   | Firestop Spacer  |
| ZDVRS   | Roof Support   |
| ZDVWT   | Wall Thimble (Horizontal Venting)  |
| ZDVSS   | Siding Shield for FDVHT  |
| ZDVSSLR | Siding Shield - Large Return   |
| ZDV48GP | Galvanized Pipe 7" Dia. x 48"<br>(Vertical Installations)  |
| ZDVAAF  | Flashing 7" c/w Storm Collar (1/12 to 7/12)  |
| ZDVAF2  | Flashing 7" c/w Storm Collar (8/12 to 12/12)   |
| ZDVAF3  | Flashing 7" c/w Storm Collar Flat  |
| ZDV7SC  | Storm Collar 7"  |
| ZDVFK5  | Flex Kit (4" & 7" Dia.) x 2.5'<br>(Unexpanded)<br>5' Expanded  |
| ZDVFK8  | Flex Kit (4" & 7" Dia.) x 4'<br>(Unexpanded)<br>8' Expanded  |
| ZDVFK20 | Flex Kit (4" & 7" Dia.) x 10'<br>(Unexpanded) 20' Expanded *Kits are complete with spring stand-offs & silicone. |
| ZDV4FC  | Flex Connector 4" Diameter   |
| ZDV7FC  | Flex Connector 7" Diameter   |
| ZDV4SS  | Spring 4" Standoff Spacer  |



## LIMITED LIFETIME WARRANTY

This Limited Lifetime Warranty applies only while the unit remains at the site of the original installation and only if the unit is installed inside the continental United States, Alaska, Hawaii, and Canada. The warranty applies only if the unit is installed and operated in accordance with the printed instructions and in compliance with applicable installation and building codes and good trade practices.

### BASIC ONE YEAR WARRANTY

During the first year after installation, we will provide a replacement for any component part of your unit found to be defective in materials or workmanship, including labour costs. Repair work requires prior approval by Kingsman, labour costs are based on a predetermined rate schedule and any repair work must be done through an authorized Kingsman dealer.

(Excluded Components: Accent Light Bulbs, Gasketing and Paint)

### LIMITED LIFETIME WARRANTY

The heat exchanger, combustion chamber and burner of every Kingsman product excluding the Outdoor Firepit are warranted against materials or workmanship during the period the product is owned by the original owner. The part to be replaced must be returned to our distributor in exchange for the replacement part. Any labor, material, freight and/or handling charges associated with any repair or replacement pursuant to this Limited Lifetime Warranty will not be covered by this warranty.

### GENERAL TERMS

In lieu of providing a replacement part, we may, at our option, provide the distributor's component purchase price from us or a credit equal to the distributor's component purchase price from us toward the purchase of any new unit which we distribute. If a credit is given in lieu of a replacement part, the rating plate from the unit being replaced must be submitted on a warranty claim, and the unit being replaced must be made available to our distributor for disposition.

In establishing the date of installation for any purpose, including determination of the starting date for the term of this Limited Lifetime Warranty, reasonable proof of the original installation date must be presented\*, otherwise the effective date will be based upon the date of manufacture plus thirty (30) days.

We will not be responsible for and you, the user, will pay for: (a) damages caused by accident, abuse, negligence, misuse, riot, fire, flood, or Acts of God (b) damages caused by operating the unit where there is a corrosive atmosphere containing chlorine, fluorine, or any other damaging chemicals (other than in a normal residential environment) (c) damages caused by any unauthorized alteration or repair of the unit affecting its stability or performance (d) damages caused by improper matching or application of the unit or the unit's components (e) damages caused by failing to provide proper maintenance and service to the unit (f) any expenses incurred for erecting, disconnecting or dismantling the unit (g) parts or supplies used in connection with service or maintenance (h) damage repairs, inoperation or inefficiency resulting from faulty installation or application (i) electricity or fuel costs or any increase in electricity or fuel cost whatsoever including additional or unusual use of supplemental electric heat.

We shall not be liable for any incidental, consequential, or special damages or expenses in connection with any use or failure of this unit. We have not made and do not make any representation or warranty of fitness for a particular use or purpose, and there is no implied condition of fitness for a particular use or purpose. We make no express warranties except as stated in this Limited Lifetime Warranty. No one is authorized to change this Limited Lifetime Warranty or to create for us any other obligation or liability in connections with this unit. Any implied warranties shall last for one year after the original installation. Some states and provinces do not allow the exclusion or limitation of incidental or consequential damages or do not allow limitations on how long an implied warranty or condition lasts, so the above limitations or exclusions may not apply to you. The provisions of this limited warranty are in additions to and not a modification of or subtraction from any statutory warranties and other rights and remedies provided by law.

Save this certificate. It gives you specific legal rights, and you may also have other rights which may vary from state to state and province to province.

In the event your unit needs servicing, contact your dealer or contractor who installed or serviced your unit. When requesting service, please have the model and serial number from each unit readily available. If your dealer needs assistance, the distributor is available for support and we, in turn support the distributor's efforts.

Fill in the installation date and model and serial numbers of the unit in the space provided below and retain this limited warranty for your files.

Model No. \_\_\_\_\_ Serial No. \_\_\_\_\_ Date installed \_\_\_\_\_

Dealer or Contractor Name: \_\_\_\_\_

\*To receive advantage of your warranty, you must retain the original records that can establish the installation date of your unit.

**The Ultimate in Design, Engineering & Quality**