



HBZDV4736

ZERO CLEARANCE DIRECT VENT GAS FIREPLACE



THE ULTIMATE IN DESIGN, ENGINEERING & QUALITY

Model HBZDV4736N Zero Clearance Direct Vent Natural Gas Fireplace, with LOGF36 Log Set, HB47CVCK Designer Clean View Circulating Kit, and Optional HB47RRH Red Herringbone Brick Liner.



Model	HBZDV4736N/NE	HBZDV4736LP/LPE
Flue	Top	Top
Fuel	Natural	Propane
Input Max.	40,000 BTU	36,000 BTU
Input Min.	27,000 BTU	30,000 BTU
FE (P.4.1-15)	60.39% / 61.88%	53.79% / 54.9%

The ultimate in Zero Clearance Direct Vent Fireplaces for new home construction or renovation, and your best choice for installation anywhere throughout your home.

STANDARD FEATURES

- Millivolt or IPI valve system allows operation during a power failure with Hi/low heat and flame adjustment
- Dual burner with Realistic Flame Pattern
- A flame sensor that constantly monitors the pilot flame
- Safety Screen Barrier



Safety Screen Barrier

OPTIONAL FEATURES

Designer Clean View Circulating Kit

No Louvers Required

Grills

Available in Black

Fan Kit

Heat activated with variable speed control

Brick Refractory Liner

Traditional, Herringbone, Red Herringbone

Thermostat

Wall Mount Millivolt Thermostat or Programmable Thermostat

Remote Control

On/Off, Thermostat On/Off, Thermostat On/Off modulating, Thermostat On/Off modulating and fan control



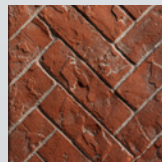
STYLING



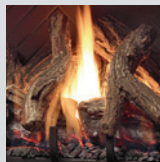
Traditional Brick Liner RL



Herringbone Brick Liner RLH



Red Herringbone Brick Liner RRH



LogF36

CORNER FRAMING DIMENSIONS

LOUVERED

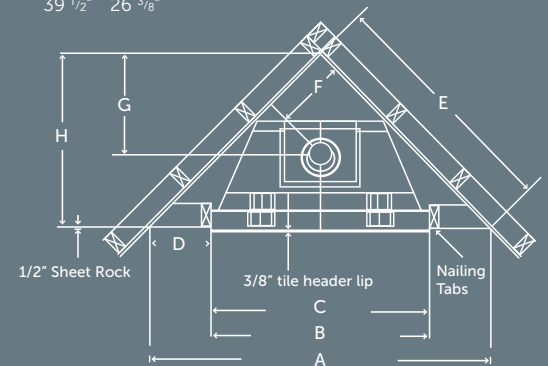
	HBZDV47
A	65 1/4"
B	47 3/8"
C	47 1/16"
D	8 15/16"
E	46 1/8"
F	13 15/16"
G	19 11/16"
H	32 5/8"

CLEAN VIEW CIRCULATING KIT (CVCK)

	HBZDV47
A	70 3/16"
B	48 3/8"
C	48 1/16"
D	10 7/8"
E	49 5/8"
F	13 15/16"
G	19 11/16"
H	35 1/16"

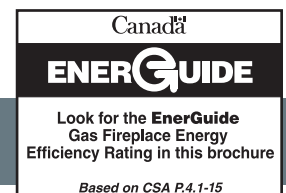
VIEWING AREA	Width	Height
HBZDV47	39 1/2"	26 3/8"

CORNER FRAMING DIMENSIONS



UNIT AND FRAMING SPECIFICATIONS (IN.)

Top Flue Models	Height Actual	Height Framing	Width Actual	Width Framing	Depth Actual	Depth Framing
LOUVERS						
HBZDV47	43 1/16"	43 1/16"	47 1/16"	47 3/8"	19 7/16"	19 1/2"
CLEAN VIEW CIRCULATING KIT (CVCK)						
HBZDV47	49"	49 1/8"	48 1/16"	48 3/8"	21 15/16"	22"



*Components may have to be ordered separately to create a complete unit. Discuss with your local Kingsman dealer for clarification. Kingsman Fireplaces maintains a program of continuous testing, refinement and improvements of all its products. Some aspect of units shown here may be changed at any time without notice or obligation. Certification: The model HBZDV4736 are certified to: ANSI Z21.50-2014, CSA 2.22-2014, CGA 2.17-M91 (R2009) Vented Gas Fireplace.



CRAFTED ENTIRELY IN CANADA, EACH KINGSMAN FIREPLACE IS BUILT TO THE HIGHEST STANDARDS AND MADE TO LAST.