



FVF350

VENT FREE FREE STANDING GAS STOVE



THE ULTIMATE IN DESIGN, ENGINEERING & QUALITY

Model FVF350 Vent Free Stove, FVFB350MVN Natural Gas Millivolt Burner, FVF350DB Black Door, F35LG Gold Louver, LOGF35 Fibre Oak Log Set.



2340 Logan Avenue
 Winnipeg, Manitoba, Canada R2R 2V3
 Phone: (204) 632-1962 Fax: (204) 632-1960
www.kingsmanfireplaces.com

Model	FVFB350MVN	FVFB350MVP
Input Low	25,000 BTU	27,000 BTU
Input High	40,000 BTU	37,000 BTU
Valve Type	Millivolt	Millivolt
Efficiency	99.9%	99.9%

The ultimate in Vent-Free Free Standing Gas Stoves for new home construction or renovation, and your best choice for installation anywhere throughout your home.

STANDARD FEATURES

- Millivolt Valve with Hi-Low heat and flame adjustment and allows operation during a power failure
- Dual burner system, with realistic flame pattern
- Black Arch Door with Fixed Mesh Screen
- Equipped with 100% safety shut-off feature (ODS) Oxygen Depletion Sensor
- Black Louver
- Fibre Oak Log Set with glowing embers*
- No chimney or vent required, maximizes location flexibility
- Safety Screen Barrier

OPTIONAL FEATURES

Fan Kit

Heat activated blower with variable speed control

Louver

Gold (24 carat) Louver

Thermostat

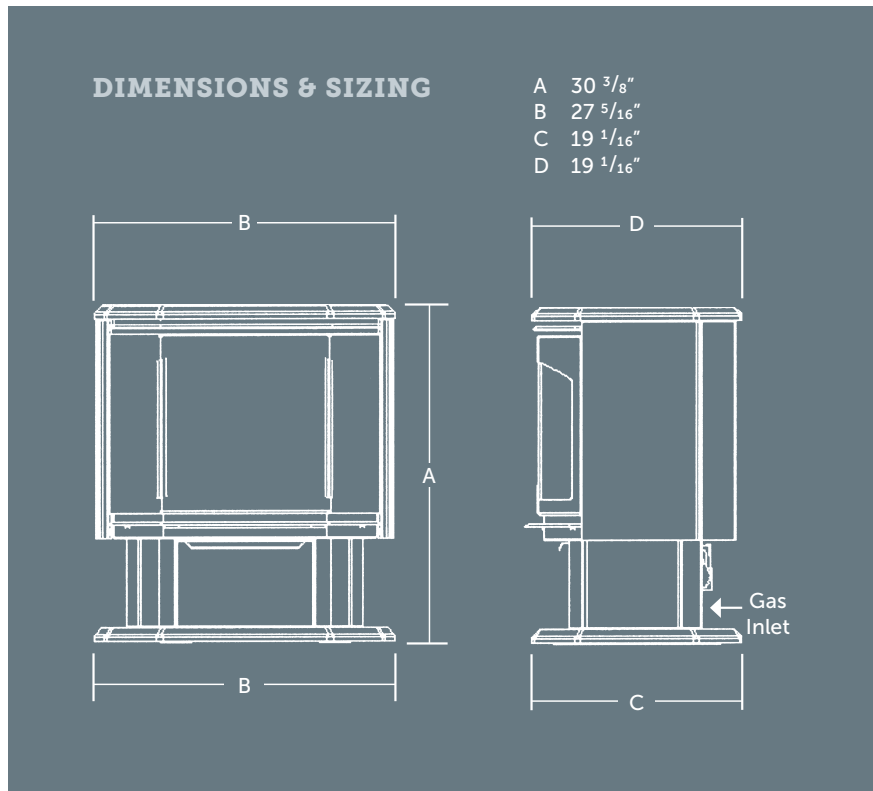
Wall Mount Millivolt Thermostat
 or Programmable Thermostat

Remote Control

On/Off, Thermostat or Hi/Lo On/Off



Fibre Oak Log Set



MINIMUM CLEARANCES TO COMBUSTIBLES

- 12" from side of unit
- 3" from back of unit
- 3" from side of unit in corner
- 41" from top of unit



*Components may have to be ordered separately to create a complete unit. Discuss with your local Kingsman dealer for clarification.
 Kingsman Fireplaces maintains a program of continuous testing, refinement and improvements of all its products. Some aspect of units shown here may be changed at any time without notice or obligation.
 Certification: The models FVFB350MVN, FVFB350MVP Burner Systems are approved to: ANZI Z21.11.26-1998 for the FVFB350 Vent Free Firebox only.

Printed in Canada
 02/18 - B031



CRAFTED ENTIRELY IN CANADA, EACH KINGSMAN FIREPLACE IS BUILT TO THE HIGHEST STANDARDS AND MADE TO LAST.