



# OFP42

ZERO CLEARANCE OUTDOOR GAS FIREPLACE



THE ULTIMATE IN DESIGN, ENGINEERING & QUALITY

OFP42NS Outdoor Fireplace in Stainless Steel – Natural Gas, LOGF37 Split Oak Log Set, OFP42RLH Herringbone Brick Liner.



2340 Logan Avenue  
 Winnipeg, Manitoba, Canada R2R 2V3  
 Phone: (204) 632-1962 Fax: (204) 632-1960  
[www.kingsmanfireplaces.com](http://www.kingsmanfireplaces.com)

<b>Model</b>	OFP42N	OFP42LP
	OFP42NS	OFP42LPS
<b>Fuel</b>	Natural	Propane
<b>Input Max.</b>	55,000 BTU	55,000 BTU
<b>Input Min.</b>	38,000 BTU	44,000 BTU

- Satin Coat with a Black Paint Finish and stainless steel pull screen. A great alternative when covering the front face with brick or other non combustible materials. (Satin coat steel is pretreated with a zinc coating for corrosion resistance and paint adhesion.)
- Stainless steel firebox, front and pull screens. Stainless steel provides a clean, contemporary and weather-resistant finish so that you can enjoy your fireplace for years to come.

### STANDARD FEATURES\*

- Hi/lo Millivolt valve with variable adjustment of flame and BTU
- A flame sensor that constantly monitors the pilot flame and provides 100% gas shut off if pilot is not sensed
- Stainless steel pull screen
- Lava Rock

### OPTIONAL FEATURES

#### Surround

Stainless Steel

#### Remote Control

On/Off



#### Log Set

LOGF37 Log Set – Five Pieces

#### Weather Cover

Stainless Steel or Black

#### Spark Assist

Battery Operated Pilot Burner Ignitor

#### Refractory Liner

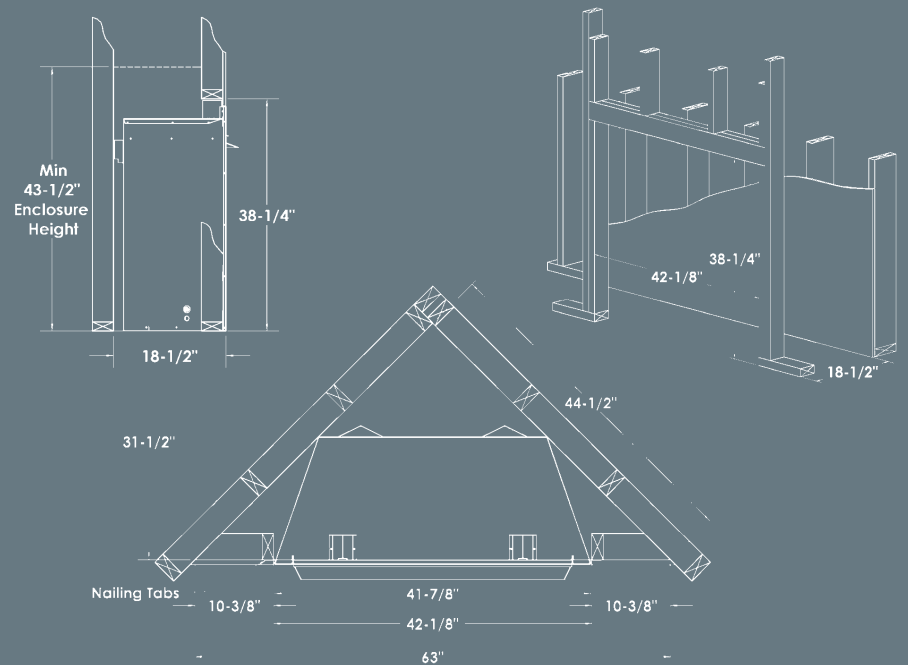
Traditional or Herringbone



### SCREENED PORCH INSTALLATION GUIDELINES

- Porch Area - 96 sq. ft
  - Ceiling Height - 92"
  - A minimum of two walls can be screened but must be open to outside ventilation
  - Minimum Screen Height - 78"
  - Screen Area - 64 sq. ft
- Refer to installation manual for additional details of framing specifications and clearances

### UNIT AND FRAMING SPECIFICATIONS (IN.)



Model OFP42N Outdoor Fireplace – Natural Gas, LOGF37 Split Oak Log Set, OFP42RLT Traditional Brick Liner.



\*Components may have to be ordered separately to create a complete unit. Discuss with your local Kingsman dealer for clarification.

Kingsman Fireplaces maintains a program of continuous testing, refinement and improvements of all its products. Some aspect of units shown here may be changed at any time without notice or obligation. Certification: These models are certified for USA and Canada as an Outdoor Gas Fireplace. CSA 4.96 US 2nd Edition, CGA CR97-003, CGA 2.17-M91.

Printed in Canada  
 05/18 – B065



CRAFTED ENTIRELY IN CANADA, EACH KINGSMAN FIREPLACE IS BUILT TO THE HIGHEST STANDARDS AND MADE TO LAST.

Two fireplace choices and no venting required.