



MDV31

DIRECT VENT MULTI-SIDED SEE-THROUGH FIREPLACE



THE ULTIMATE IN DESIGN, ENGINEERING & QUALITY

Model MDVR31N Multi-Sided Direct Vent Fireplace in natural gas, LOGC31 Log Set – Seven Piece Cast Split Oak, M30SK See Through Kit, Z36CVCK Designer Clean View Circulating Kit (2).



MDV31

DIRECT VENT MULTI-SIDED PENINSULA FIREPLACE



THE ULTIMATE IN DESIGN, ENGINEERING & QUALITY

Model MDVR31N Multi-Sided Direct Vent Fireplace in natural gas, LOGC31 Log Set – Seven Piece Cast Split Oak, M30PK Peninsula Kit, MGPkBL Grill Kit – Black, optional MDV38RLE Refractory Liner.

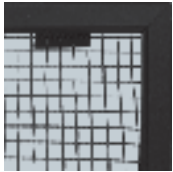
There's nothing like the magic of fire to add comfort and beauty to not just one room – but two! Discover its stylish appeal that is perfectly suited as a divider in large multi-purpose rooms such as a great room or lower level.

Model	MDV31N / MDV31NE	MDV31LP / MDV31LPE
Fuel	Natural	Propane
Input Max.	30,000 BTU	30,000 BTU
Input Min.	22,500 BTU	25,000 BTU
Glass Type	Tempered	Tempered
Bedroom Approved	*Yes	*Yes
FE (P.4.1-15)	60.94% / 63.27%	60.94% / 63.27%

*Must be installed with listed thermostat, in Canada. Check local jurisdiction in USA.

STANDARD FEATURES

- Hi/low Millivolt or IPI valve with variable adjustment of flame and BTU
- A flame sensor that constantly monitors the pilot flame and provides 100% gas shut off if pilot is not sensed
- A triple burner with seven piece cast split oak log set with glowing ember bed and decorative ash bed
- Safety Screen Barrier



Safety Screen Barrier

OPTIONAL FEATURES

Grills

Available in Black

Surround Wide (See Through Louvered only)

Available in Black

Fan Kit

Thermostatically controlled for automatic On/Off operation and variable speed control

Brick Refractory Liners

End Panel

Thermostat

Wall Mount Millivolt or Programmable Thermostat

Remote Control

On/Off, Thermostat On/Off, Thermostat On/Off modulating, Thermostat On/Off modulating and fan control



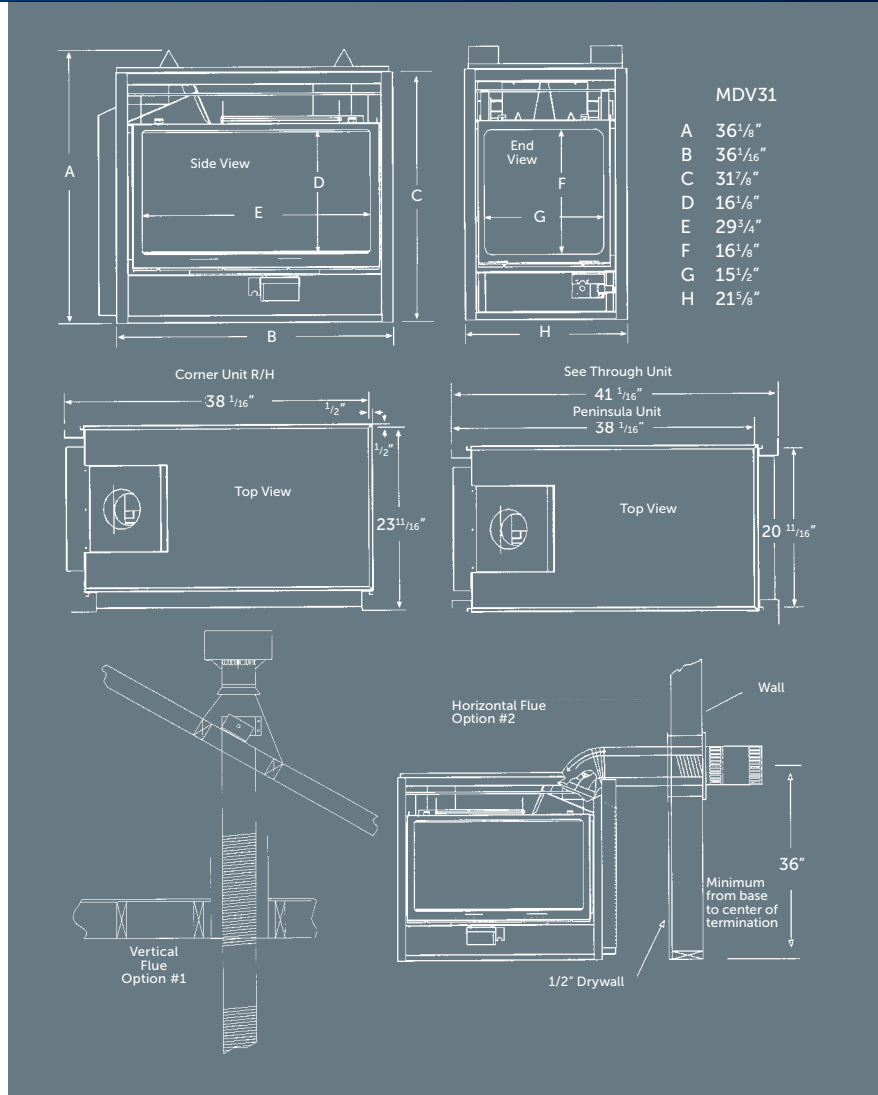
Designer Clean View Circulating Kit

No louvers required

Two Clean views required for installation

Clean View Framing (See Through Only)

42 1/2" H x 46 1/8" W x 25 5/8" D



UNIT AND FRAMING SPECIFICATIONS (IN.)

LOUVERED MODEL	Height Framing	Width Framing	Depth Framing
CORNER	37"	38 1/8"	23 3/4"
PENINSULA	37"	38 1/8"	20 5/8"
SEE-THROUGH	37"	41 1/8"	20 5/8"

Minimum 42" height for combustible enclosure, with insulation sleeve.



2340 Logan Avenue
Winnipeg, Manitoba, Canada R2R 2V3
Phone: (204) 632-1962 Fax: (204) 632-1960
www.kingsmanfireplaces.com

MDV31

DIRECT VENT MULTI-SIDED CORNER FIREPLACE



Canada
ENERGUIDE
Look for the **EnerGuide**
Gas Fireplace Energy
Efficiency Rating in this brochure
Based on CSA P.4.1-15

Model MDVL31N Multi-Sided Direct Vent Fireplace in natural gas, LOGC31 Log Set – Seven Piece Cast Split Oak, M30CK Corner Kit, MGCKBL Grill Kit – Black, optional Refractory Liners MDV38RLE – End and MDV38RLS – Side.



*Components may have to be ordered separately to create a complete unit. Discuss with your local Kingsman dealer for clarification.
Kingsman Fireplaces maintains a program of continuous testing, refinement and improvements of all its products. Some aspect of units shown here may be changed at any time without notice or obligation. Certification: The models are certified for USA and Canada. Certified to: ANSI Z21.50-2014, CSA 2.22-2014, CGA 2.17-M91 (R2009) as a Vented Gas Fireplace.



FOR CALIFORNIA RESIDENTS ONLY:
WARNING! This product can expose you to chemicals including Carbon Monoxide, that is an externally vented by-product of fuel consumption, which is [are] known to the State of California to cause birth defects or other reproductive harm. For more information, visit www.P65Warnings.ca.gov.



CRAFTED ENTIRELY IN CANADA, EACH KINGSMAN FIREPLACE IS BUILT TO THE HIGHEST STANDARDS AND MADE TO LAST.

Printed in Canada
09/18 – B048