



# HBZDV4736

ZERO CLEARANCE DIRECT VENT GAS FIREPLACE



THE ULTIMATE IN DESIGN, ENGINEERING & QUALITY

Model HBZDV4736N Zero Clearance Direct Vent Natural Gas Fireplace, with LOGF36 Log Set, HB47CVCK Designer Clean View Circulating Kit, and Optional HB47RRH Red Herringbone Brick Liner.



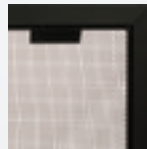
2340 Logan Avenue  
 Winnipeg, Manitoba, Canada R2R 2V3  
 Phone: (204) 632-1962 Fax: (204) 632-1960  
[www.kingsmanfireplaces.com](http://www.kingsmanfireplaces.com)

Model	HBZDV4736N/NE	HBZDV4736LP/LPE
Flue	Top	Top
Fuel	Natural	Propane
Input Max.	40,000 BTU	36,000 BTU
Input Min.	27,000 BTU	30,000 BTU
FE (P.4.1-15)	60.39% / 61.88%	53.79% / 54.9%

The ultimate in Zero Clearance Direct Vent Fireplaces for new home construction or renovation, and your best choice for installation anywhere throughout your home.

## STANDARD FEATURES

- Millivolt or IPI valve system allows operation during a power failure with Hi/low heat and flame adjustment
- Dual burner with Realistic Flame Pattern
- A flame sensor that constantly monitors the pilot flame
- Safety Screen Barrier



Safety Screen Barrier

## OPTIONAL FEATURES

### Designer Clean View Circulating Kit

No Louvers Required

### Grills

Available in Black

### Fan Kit

Heat activated with variable speed control

### Brick Refractory Liner

Traditional, Herringbone, Red Herringbone

### Thermostat

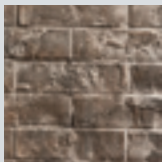
Wall Mount Millivolt Thermostat or Programmable Thermostat

### Remote Control

On/Off, Thermostat On/Off, Thermostat On/Off modulating, Thermostat On/Off modulating and fan control



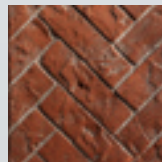
## STYLING



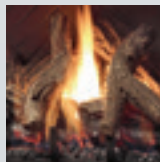
Traditional Brick Liner RL



Herringbone Brick Liner RLH



Red Herringbone Brick Liner RRH



LogF36

## CORNER FRAMING DIMENSIONS

### LOUVERED

HBZDV47

A	65 1/4"
B	47 3/8"
C	47 1/16"
D	8 15/16"
E	46 1/8"
F	13 15/16"
G	19 11/16"
H	32 5/8"

### CLEAN VIEW CIRCULATING KIT (CVCK)

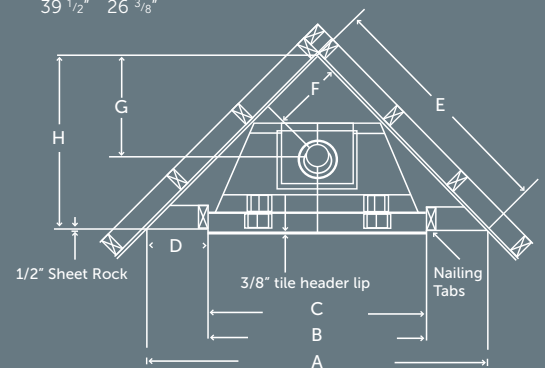
HBZDV47

A	70 3/16"
B	48 3/8"
C	48 1/16"
D	10 7/8"
E	49 5/8"
F	13 15/16"
G	19 11/16"
H	35 1/16"

### VIEWING AREA

VIEWING AREA	Width	Height
HBZDV47	39 1/2"	26 3/8"

### CORNER FRAMING DIMENSIONS



## UNIT AND FRAMING SPECIFICATIONS (IN.)

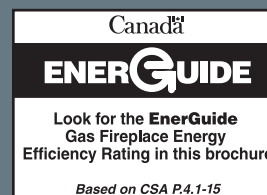
Top Flue Models	Height Actual	Height Framing	Width Actual	Width Framing	Depth Actual	Depth Framing
-----------------	---------------	----------------	--------------	---------------	--------------	---------------

### LOUVERS

HBZDV47	43 1/16"	43 1/16"	47 1/16"	47 3/8"	19 7/16"	19 1/2"
---------	----------	----------	----------	---------	----------	---------

### CLEAN VIEW CIRCULATING KIT (CVCK)

HBZDV47	49"	49 1/8"	48 1/16"	48 3/8"	21 15/16"	22"
---------	-----	---------	----------	---------	-----------	-----



**FOR CALIFORNIA RESIDENTS ONLY:**  
**WARNING!** This product can expose you to chemicals including Carbon Monoxide, that is an externally vented by-product of fuel consumption, which is [are] known to the State of California to cause birth defects or other reproductive harm. For more information, visit [www.P65Warnings.ca.gov](http://www.P65Warnings.ca.gov).



\*Components may have to be ordered separately to create a complete unit. Discuss with your local Kingsman dealer for clarification.

Kingsman Fireplaces maintains a program of continuous testing, refinement and improvements of all its products. Some aspect of units shown here may be changed at any time without notice or obligation. Certification: The model HBZDV4736 are certified to: ANSI Z21.50-2014, CSA 2.22-2014, CGA 2.17-M91 (R2009) Vented Gas Fireplace.



CRAFTED ENTIRELY IN CANADA, EACH KINGSMAN FIREPLACE IS BUILT TO THE HIGHEST STANDARDS AND MADE TO LAST.

Printed in Canada  
 09/18 - B099