



ZCV34/39/42

ZERO CLEARANCE **DIRECT VENT** GAS FIREPLACE



THE ULTIMATE IN DESIGN, ENGINEERING & QUALITY

ZCV39NH Zero Clearance Direct Vent Gas Fireplace Natural Gas, LOGF3 Split Oak Log Set, ZCV39RLT Refractory Brick Liner – Traditional and ZCV39S1BL Surround – Hearth Mount.



FEATURES

ZCV34/39/42

STANDARD FEATURES

- Millivolt or IPI valve system allows operation during a power failure with Hi/Low heat and flame adjustment
- Safety Screen Barrier

OPTIONAL FEATURES

Fan Kit

Heat activated with variable speed control

Picture Frame Surrounds

ZCV34 Surrounds – Black

- Hearth Mount 3" Wide (Covers 34 7/8" W x 30 3/4" H)
- Picture Frame 4" Wide (Covers 36 5/8" W x 33 3/8" H)
- Picture Frame 1 11/16" Wide (Covers 31 1/16" W x 28 3/4" H)

ZCV39 Surrounds – Black

- Hearth Mount 4" Wide (Covers 40 5/8" W x 35" H)
- Picture Frame 4" Wide (Covers 40 5/8" W x 37" H)
- Picture Frame 1 5/8" Wide (Covers 36 1/8" W x 32 1/2" H)

ZCV42 Surrounds – Black

- Hearth Mount 4" Wide (Covers 44 11/16" W x 38 1/8" H)
- Picture Frame 4" Wide (Covers 44 11/16" W x 40 1/8" H)
- Picture Frame 1 5/8" Wide (Covers 40 3/16" W x 35 5/8" H)

Glass Tray

Ember Glass – Bronze – (ZCV39/42 only)

Accent Lighting

For use with the Glass Tray – (ZCV39/42 only)

Log Set

LOGF3 Log Set (ZCV39/42 only)

LOGC44 Log Set (ZCV34 only)

Porcelain Reflective Liner

Brick Refractory Liners

Traditional, Herringbone, Red Herringbone (ZCV39/42 only), and Stacked (ZCV39/42 only)

Thermostat

wall mount thermostat or programmable thermostat

Remote Control

Thermostat on/off, Thermostat on/off modulating, Thermostat on/off modulating and fan control

Vented Chase

front grill or side grills



ZCV34

ZERO CLEARANCE **DIRECT VENT** GAS FIREPLACE

MODEL

Fuel
Gas Control
Input Max.
Input Min.
FE (P.4.1-15)
Viewing Area
Venting**

ZCV34LP
ZCV34LPE

Propane
 Millivolt / IPI
 18,000 BTU
 14,000 BTU
 58.67% / 61.17%
 28 5/8" W x 25 3/8" H
 4"/7" Flex or 4 x 6 5/8 Hard Pipe* or Power Vent

ZCV34LPH
ZCV34LPHE

Propane
 Millivolt / IPI
 18,000 BTU
 14,000 BTU
 66.38% / 69.25%
 28 5/8" W x 25 3/8" H

MODEL

Fuel
Gas Control
Input Max.
Input Min.
FE (P.4.1-15)
Viewing Area
Venting**

ZCV34N
ZCV34NE

Natural
 Millivolt / IPI
 19,000 BTU
 13,500 BTU
 53.49% / 56.14%
 28 5/8" W x 25 3/8" H
 4"/7" Flex or 4 x 6 5/8 Hard Pipe* or Power Vent

ZCV34NH
ZCV34NHE

Natural
 Millivolt / IPI
 19,000 BTU
 13,500 BTU
 63.25% / 66.45%
 28 5/8" W x 25 3/8" H

* Approved with Kingsman Flex Vent, Mg Duravent-Direct Vent Pro Direct Vent System, Amerivent Direct Vent Pipe System, Selkirk Direct-Temp Venting. This appliance is also approved with Kingsman (Pvh58) Horizontal Power Vent Termination.

** Vented Chase Option (see installation manual).



ZCV34NH, LOGC44 Split Oak Log Set, ZCV34RRH Refractory Brick Liner – Herringbone.



THE ULTIMATE IN DESIGN, ENGINEERING & QUALITY

**The ultimate in Zero Clearance Direct Vent Fireplaces
for new home construction or renovation, and your best
choice for installation anywhere throughout your home.**





ZCV39/42

ZERO CLEARANCE **DIRECT VENT** GAS FIREPLACE

ZCV39NH Zero Clearance Direct Vent Gas Fireplace Natural Gas, LOGF3 Log Set, ZCV39RLS Refractory Stacked Brick Liner

ZCV39

MODEL	ZCV39LP ZCV39LPE	ZCV39LPH ZCV39LPHE
Fuel	Propane	Propane
Gas Control	Millivolt / IPI	Millivolt / IPI
Input Max.	25,000 BTU	29,000 BTU
Input Min.	20,000 BTU	23,000 BTU
FE (P.4.1-15)	52.35% / 54.24%	66.82% / 68.65%
Viewing Area	33" W x 28 5/8" H	33" W x 28 5/8" H
Venting**	4"/7" Flex or 4 x 6 5/8" Hard Pipe* or Power Vent	

MODEL	ZCV39N ZCV39NE	ZCV39NH ZCV39NHE
Fuel	Natural	Natural
Gas Control	Millivolt / IPI	Millivolt / IPI
Input Max.	25,000 BTU	28,000 BTU
Input Min.	16,750 BTU	19,000 BTU
FE (P.4.1-15)	52.35% / 54.24%	63.81% / 66.17%
Viewing Area	33" W x 28 5/8" H	33" W x 28 5/8" H
Venting**	4"/7" Flex or 4 x 6 5/8" Hard Pipe* or Power Vent	

ZCV42

MODEL	ZCV42LP ZCV42LPE	ZCV42LPH ZCV42LPHE
Fuel	Propane	Propane
Gas Control	Millivolt / IPI	Millivolt / IPI
Input Max.	25,000 BTU	29,000 BTU
Input Min.	19,500 BTU	23,000 BTU
FE (P.4.1-15)	52.86% / 54.95%	66.65% / 68.77%
Viewing Area	37 1/8" W x 31 3/4" H	37 1/8" W x 31 3/4" H
Venting**	4"/7" Flex or 4 x 6 5/8" Hard Pipe* or Power Vent	

MODEL	ZCV42N ZCV42NE	ZCV42NH ZCV42NHE
Fuel	Natural	Natural
Gas Control	Millivolt / IPI	Millivolt / IPI
Input Max.	25,000 BTU	29,500 BTU
Input Min.	16,500 BTU	20,000 BTU
FE (P.4.1-15)	52.86% / 54.95%	64.53% / 66.48%
Viewing Area	37 1/8" W x 31 3/4" H	37 1/8" W x 31 3/4" H
Venting**	4"/7" Flex or 4 x 6 5/8" Hard Pipe* or Power Vent	

* Approved with Kingsman Flex Vent, Mg Duravent-Direct Vent Pro Direct Vent System, Amerivent Direct Vent Pipe System, Selkirk Direct-Temp Venting. This appliance is also approved with Kingsman (Pvh58) Horizontal Power Vent Termination.

** Vented Chase Option (see installation manual).



THE ULTIMATE IN DESIGN, ENGINEERING & QUALITY

ZCV39NH Zero Clearance Direct Vent Gas Fireplace Natural Gas, ZCV39GT Glass Tray, Z5GC Glass Media – 1/2" Bronze – 5 lbs (x3), ULK2 Universal Light Kit, ZCV39PL Porcelain Reflective Liner, ZCV39S1PFBL Surround – Picture Frame 4" Wide.



ZCV39NH, LOGF3 Split Oak Log Set, ZCV39RLH Refractory Brick Liner – Herringbone.



ZCV39NH, ZCV39GT Glass Tray, Z5GC Glass Media – 1/2" Bronze – 5 lbs (x3), ULK2 Universal Light Kit, ZCV39PL Porcelain Reflective Liner.



ZCV39NH, ZCV39GT Glass Tray, RBCB1 Cannonballs, ZCV39PL Porcelain Reflective Liner.

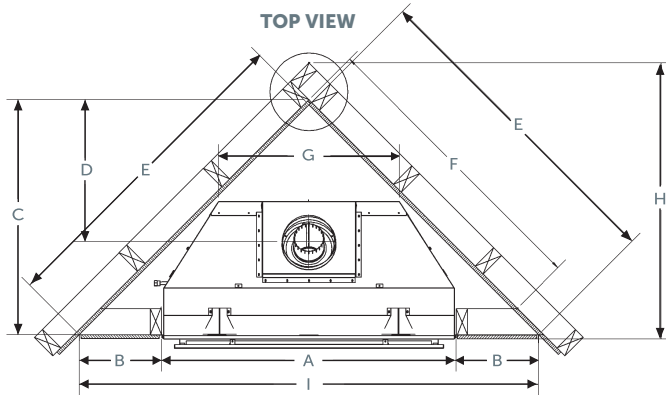


ZCV34/39/42 SPECIFICATIONS

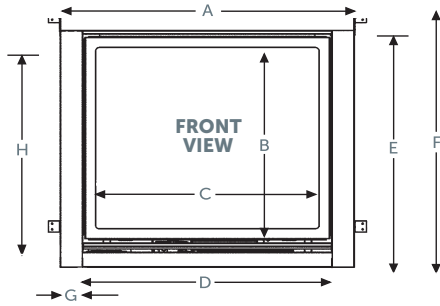
UNIT AND FRAMING SPECIFICATIONS (IN)

Top Flue Models	Height Actual	Height Framing	Width Actual	Width Framing	Depth Actual	Depth Framing
ZCV34	36"	36 1/8"	33"	33 1/4"	18 1/16"	18 1/8"
ZCV39	37 11/16"	37 7/8"	39 3/8"	39 1/2"	18 7/16"	18 1/2"
ZCV42	40 7/8"	41"	42 7/16"	42 1/2"	18 7/16"	18 1/2"

CORNER FRAMING DIMENSIONS



FRONT VIEW DIMENSIONS



CORNER

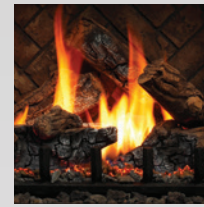
	ZCV34	ZCV39	ZCV42
A	33 1/4"	39 1/2"	42 1/2"
B	10 3/4"	11"	11 3/4"
C	27 3/8"	31 1/2"	33"
D	14 7/8"	19"	20 1/2"
E	38 11/16"	43 1/2"	45 5/8"
F	30 1/8"	39 1/2"	41 5/8"
G	19 3/4"	24 1/4"	27 7/8"
H	32 7/8"	36 3/8"	38 3/8"
I	54 3/4"	61 1/2"	64 1/2"

FRONT VIEW

	ZCV34	ZCV39	ZCV42
A	33"	39 3/8"	42 7/16"
B	20 3/4"	24 1/16"	27 3/16"
C	25 1/4"	29 5/8"	33 11/16"
D	28 1/2"	33"	37 1/16"
E	27 1/8"	34 1/2"	37 5/8"
F	30 1/8"	37 11/16"	40 7/8"
G	1 3/4"	3"	2 1/2"
H	25 5/16"	29 3/8"	32 1/2"
I	-	-	-

ACCESSORIES

LOG SETS

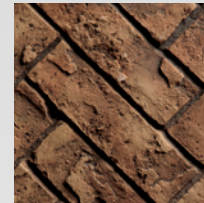


LOGF3
Split Oak



LOGC44
Burnt Oak

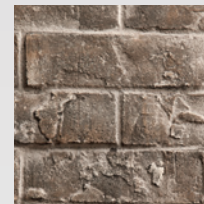
BRICK LINERS



Herringbone
RLH Brick Liner



Red Herringbone
RRH Brick Liner

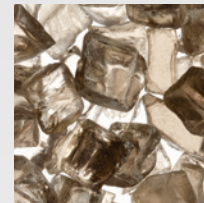


Traditional
RLT Brick Liner



Stacked
RLS Brick Liner

MEDIA OPTIONS



Ember Glass
Bronze



Cannonballs
Multi-Colored



THE ULTIMATE IN DESIGN, ENGINEERING & QUALITY

VENTED CHASE OPTIONS

- Combustible materials may cover the face of the fireplace.
- Chase walls will be cool to the touch.
- Mantel height is lower than Non-Vented Chase.
- Chase must be vented at the top with a specified grill or opening size.

VENTED CHASE DIMENSIONS

MINIMUM ENCLOSURE HEIGHTS

Min. Enclosure Height

ZCV34

ZCV39

ZCV42

68"

72"

72"

WITH OPENINGS (NO GRILLS)

Minimum of 2" opening on all three sides of chase from ceiling

WITH GRILLS (MIN. AIR FREE OPENINGS)

Minimum Front Grill Opening

31 3/8" x 3 1/4"

36 1/2 x 3 5/8

36 1/2 x 3 5/8

Minimum Grill Opening (Two Side Grills)

10 1/4" x 4 13/16"

12 1/2" x 6 1/8"

12 1/2" x 6 1/8"

Grill Opening (Max. distance from top of enclosure)

3/4"

3/4"

3/4"

Front Grill Part Number

V34EG

V39EG

V39EG

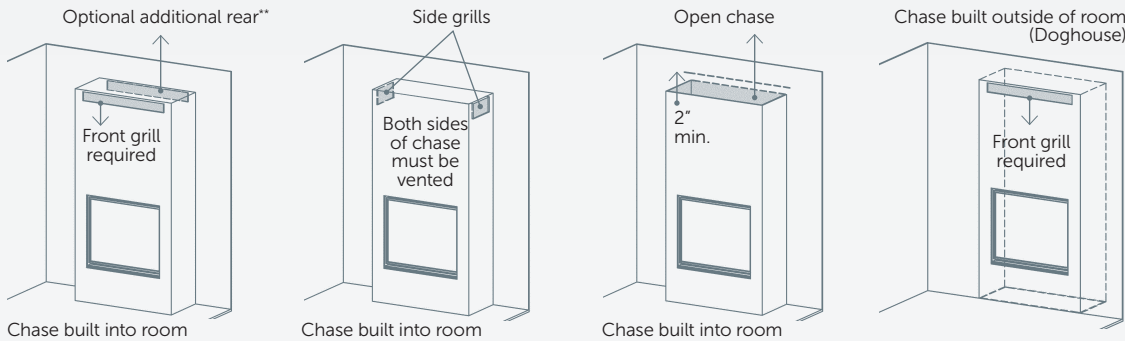
Side Grills Part Number

V34EGS

V39EGS

V39EGS

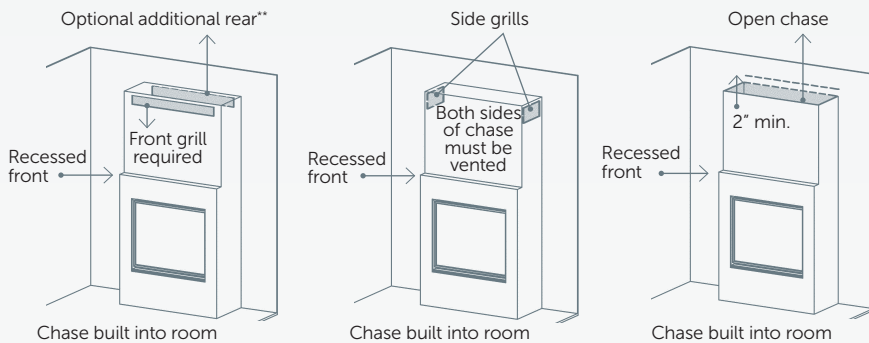
FRAMED AS VENTED CHASE*



Find all detailed ZCV24/39/42 manuals here:



RECESSED VENTED CHASE OPTION*



* NOTE: Ventilation Plates are removed from fireplace before it is installed into a Vented Chase.

** Consult manual for further information.

Minimum enclosure height for a vented chase is measured from bottom of fireplace, ventilation of minimum free air opening is required. Choose between our Enclosure Grills (Front or Sides) for adequate ventilation opening as stated in the manual. Grill or opening must meet minimum (as specified in the installation manual) of chase top/ceiling.



2340 Logan Avenue
Winnipeg, Manitoba, Canada R2R 2V3
Phone: (204) 632-1962 Fax: (204) 632-1960
www.kingsmanfireplaces.com

ZCV34/39/42

ZERO CLEARANCE DIRECT VENT GAS FIREPLACE



FOR CALIFORNIA RESIDENTS ONLY:

WARNING! This product can expose you to chemicals including Carbon Monoxide, that is an externally vented by-product of fuel consumption, which is [are] known to the State of California to cause birth defects or other reproductive harm. For more information, visit www.P65Warnings.ca.gov.



ZCV39NH Zero Clearance Direct Vent Gas Fireplace Natural Gas, ZCV39GT Glass Tray, RBCB1 Cannonballs, ZCV39PL Porcelain Reflective Liner, ZCV39S2PFBL Surround – Picture Frame 1 5/8" Wide.



*Components may have to be ordered separately to create a complete unit. Discuss with your local Kingsman dealer for clarification. Kingsman Fireplaces maintains a program of continuous testing, refinement and improvements of all its products. Some aspect of units shown here may be changed at any time without notice or obligation. Certified to ANSI Z21.88-2017, vented gas fireplace heater.

Canada

ENERGUIDE

Look for the **EnerGuide**
Gas Fireplace Energy
Efficiency Rating in this brochure

Based on CSA P.4.1-15



CRAFTED ENTIRELY IN CANADA, EACH KINGSMAN FIREPLACE IS BUILT TO THE HIGHEST STANDARDS AND MADE TO LAST.

Printed in Canada
07/2023 – B080