



HBZDV3624/28, HBZDV4224/28

ZERO CLEARANCE DIRECT VENT GAS FIREPLACE



THE ULTIMATE IN DESIGN, ENGINEERING & QUALITY

HBZDV3628N Zero Clearance Direct Vent Natural Gas Fireplace, LOGC44 Log Set, HB36CVCK Designer Clean View Circulating Kit, HB36RLH Herringbone Refractory Liner.



HBZDV3624/28, HBZDV4224/28

ZERO CLEARANCE DIRECT VENT GAS FIREPLACE



LOG SET



LOGC44
Burnt Oak (Required)

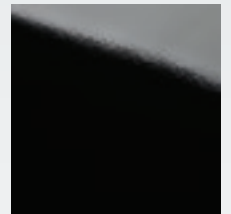
LINERS



TRADITIONAL
Brick Liner RLT



HERRINGBONE
Brick Liner RLH



PORCELAIN
Reflective Liner



THE ULTIMATE IN DESIGN, ENGINEERING & QUALITY

HBZDV3628N Zero Clearance Direct Vent Natural Gas Fireplace, HB36CVCK Designer Clean View Kit, LOGC44 Log Set, with optional HB36RLT Traditional Refractory Liner.

DESIGNER CLEAN VIEW™ OR LOUVERED FIREPLACES

| Model | HBZDV3624N | HBZDV3624LP | HBZDV3628N | HBZDV3628LP | HBZDV4224N | HBZDV4224LP | HBZDV4228N | HBZDV4228LP |
|--------------|--------------|---------------|---------------|---------------|---------------|---------------|---------------|---------------|
| Flue | Top | Top | Top | Top | Top | Top | Top | Top |
| Fuel | Natural | Propane | Natural | Propane | Natural | Propane | Natural | Propane |
| Input Max. | 24,000 BTU | 22,000 BTU | 28,000 BTU | 26,000 BTU | 24,000 BTU | 22,000 BTU | 28,000 BTU | 26,000 BTU |
| Input Min. | 14,000 BTU | 15,000 BTU | 20,000 BTU | 19,000 BTU | 14,000 BTU | 15,000 BTU | 20,000 BTU | 19,000 BTU |
| FE (P4.1-15) | 50.48%/52.3% | 52.59%/54.24% | 60.61%/62.69% | 62.48%/64.16% | 55.69%/57.81% | 57.03%/59.09% | 68.04%/70.16% | 65.29%/67.66% |

Kingsman's Direct Vent models are easily adaptable to our patented Designer Clean View technology or standard louvers. Enjoy an incredible line of options and styles – from contemporary to classic – plus the beauty and pleasure of a cozy fire.

STANDARD FEATURES

- Millivolt or IPI valve system allows operation during power failure with Hi/low heat and flame adjustment
- Dual burner with Realistic Flame Pattern
- A flame sensor that constantly monitors the pilot flame and provides 100% gas shut off if pilot is not sensed
- Safety Screen Barrier

OPTIONAL FEATURES

Designer Clean View Circulating Kit (No Louvers Required)

Grills

Available in Black

Surrounds Wide (Louvered Units) Available in Black

Coverage • HBZDV3624/28 – 35 1/2" h x 41 1/8" w
Coverage • HBZDV4224/28 – 37 5/8" h x 45 1/8" w

Fan Kit

Heat activated with variable speed control

Liners

Traditional Brick, Herringbone Brick or Porcelain Reflective

Thermostat

Wall mount millivolt thermostat or programmable thermostat

Remote Control

Thermostat On/Off, thermostat on/off modulating, thermostat on/off modulating and fan control



Log Set

LOGC44 Burnt Oak Eight Piece Log Set (Required)

Wall Mount Battery Holder (WMBH):

The battery holder provides power to the IPI system in case of power failures. Locating the battery holder outside of the fireplace (wall mount), provides a convenient and accessible location for battery installation and removal.

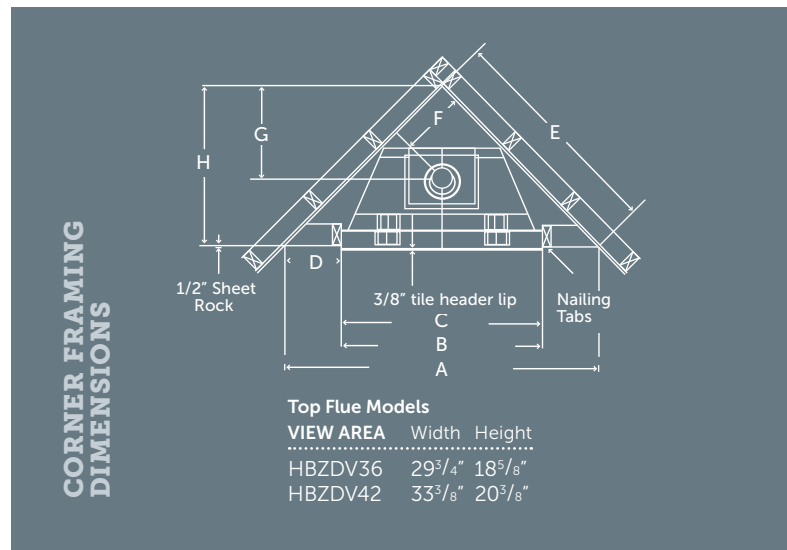
CORNER FRAMING DIMENSIONS

LOUVERED

| | HBZDV36 | HBZDV42 |
|---|------------------------------------|------------------------------------|
| A | 54 ¹³ / ₁₆ " | 58 ¹³ / ₁₆ " |
| B | 36 ³ / ₈ " | 42 ³ / ₈ " |
| C | 36" | 42" |
| D | 9 ³ / ₁₆ " | 8 ¹ / ₄ " |
| E | 38 ³ / ₄ " | 41 ⁵ / ₈ " |
| F | 12 ³ / ₈ " | 13 ³ / ₄ " |
| G | 17 ⁹ / ₁₆ " | 19 ¹ / ₂ " |
| H | 27 ³ / ₈ " | 29 ⁷ / ₁₆ " |

CLEAN VIEW CIRCULATING KIT (CVCK)

| | HBZDV36 | HBZDV42 |
|---|------------------------------------|------------------------------------|
| A | 59 ⁷ / ₈ " | 63 ¹³ / ₁₆ " |
| B | 38 ⁷ / ₁₆ " | 42 ⁷ / ₁₆ " |
| C | 38 ¹ / ₁₆ " | 42 ¹ / ₁₆ " |
| D | 10 ¹¹ / ₁₆ " | 10 ¹ / ₁₆ " |
| E | 42 ⁵ / ₁₆ " | 45 ¹ / ₈ " |
| F | 12 ³ / ₈ " | 13 ³ / ₄ " |
| G | 17 ⁹ / ₁₆ " | 19 ¹ / ₂ " |
| H | 29 ¹⁵ / ₁₆ " | 31 ⁷ / ₈ " |



UNIT AND FRAMING SPECIFICATIONS (IN.)

| Top Flue Models | Height Actual | Height Framing | Width Actual | Width Framing | Depth Actual | Depth Framing |
|--|------------------------------------|----------------------------------|-----------------------------------|-----------------------------------|------------------------------------|----------------------------------|
| LOUVERS | | | | | | |
| HBZDV36 | 34 ¹³ / ₁₆ " | 35" | 36" | 36 ³ / ₈ " | 16 ⁷ / ₁₆ " | 17" |
| HBZDV42 | 37" | 37 ¹ / ₈ " | 41 ⁷ / ₈ " | 42 ³ / ₈ " | 16 ⁷ / ₁₆ " | 17" |
| CLEAN VIEW CIRCULATING KIT (CVCK) | | | | | | |
| HBZDV36 | 34 ¹¹ / ₁₆ " | 41" | 38 ¹ / ₁₆ " | 38 ⁷ / ₁₆ " | 18 ⁷ / ₈ " | 19 ¹ / ₂ " |
| HBZDV42 | 36 ¹³ / ₁₆ " | 43" | 42 ¹ / ₁₆ " | 42 ⁷ / ₁₆ " | 18 ¹⁵ / ₁₆ " | 19 ¹ / ₂ " |



2340 Logan Avenue
Winnipeg, Manitoba, Canada R2R 2V3
Phone: (204) 632-1962 Fax: (204) 632-1960
www.kingsmanfireplaces.com

HBZDV3624/28, HBZDV4224/28

ZERO CLEARANCE DIRECT VENT GAS FIREPLACE



FOR CALIFORNIA RESIDENTS ONLY:

WARNING! This product can expose you to chemicals including Carbon Monoxide, that is an externally vented by-product of fuel consumption, which is [are] known to the State of California to cause birth defects or other reproductive harm. For more information, visit www.P65Warnings.ca.gov.



HBZDV3628N Zero Clearance Direct Vent Natural Gas Fireplace, HB36GBL Black Grill, LOGC44 Log Set, with optional HB36RLH Herringbone Refractory Liner.

Canada

ENERGUIDE

Look for the **EnerGuide**
Gas Fireplace Energy
Efficiency Rating in this brochure

Based on CSA P.4.1-15



*Components may have to be ordered separately to create a complete unit. Discuss with your local Kingsman dealer for clarification.

Kingsman Fireplaces maintains a program of continuous testing, refinement and improvements of all its products. Some aspect of units shown here may be changed at any time without notice or obligation. Certification: ANSI Z21.88-2017 • CSA 2.33-2017, CSA 2.17-2017 Vented Gas Fireplace Heater.



CRAFTED ENTIRELY IN CANADA, EACH KINGSMAN FIREPLACE
IS BUILT TO THE HIGHEST STANDARDS AND MADE TO LAST.

Printed in Canada
05/2024 – B050