



ZCVRB3622

ZERO CLEARANCE DIRECT VENT LINEAR GAS FIREPLACE



THE ULTIMATE IN DESIGN, ENGINEERING & QUALITY

ZCVRB3622N Zero Clearance Direct Vent Natural Gas Linear Fireplace with Decorative Bronze Glass Media, ZCVRB36SWFBL Surround (Flat – Black), Z3622PRL Porcelain Reflective Liner, optional ULK2 Universal Light Kit.



ZCVRB3622

ZERO CLEARANCE DIRECT VENT
LINEAR GAS FIREPLACE

Warm up your favourite room with the beauty of a Linear Fireplace.



ZCVRB3622N Zero Clearance Direct Vent Natural Gas Linear Fireplace with Decorative Bronze Glass, ZCVRB36SBL Surround Trim Kit (Black), Z3622PRL Porcelain Reflective Liner.

STANDARD FEATURES

- Hi/Low Millivolt or IPI valve system will operate during power failures
- Decorative Bronze Glass
- Mobile Home, Bedroom and Bed Sitting Room approved
- Safety Screen Barrier

OPTIONAL FEATURES

Surround Trim Kit – Black and Stainless Steel

Coverage: 22 1/2" H x 36" W

Surround – Flat, Black

Coverage: 34 5/8" H x 45 11/16" W

Fan Kit

Heat activated with variable speed control

Wall Mount Thermostat

Standard On/Off or Programmable 5 day (weekday) and 2 day (weekend)

Remote Control

On/Off, Thermostat On/Off, Thermostat On/Off modulating

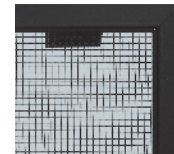
Wall Mount Battery Holder (WMBH)

The battery holder provides power to the IPI system in case of power failures. Locating the battery holder outside of the fireplace (wall mount), provides a convenient and accessible location for battery installation and removal.

Porcelain Reflective Liner

Universal Light Kit

Two Lamps



Safety Screen Barrier



Decorative Ember Glass - Bronze



PF1 or MV

SURROUND OPTIONS



ZCVRB36SBL Surround Trim (Black)



ZCVRB36SSS Surround Trim (Stainless)



ZCVRB36SWFBL Surround - Flat (Black)



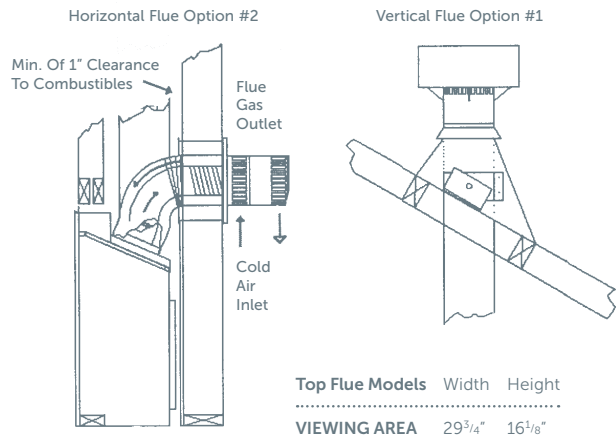
THE ULTIMATE IN DESIGN, ENGINEERING & QUALITY

Model	ZCVRB3622N ZCVRB3622NE	ZCVRB3622LP ZCVRB3622LPE
Fuel	Natural	Propane
Input Max.	17,500	17,500
Input Min.	12,000	14,000
FE (P.4.1-15)	61.36% / 65.82%	62.72% / 64.55%

The ultimate in Zero Clearance Direct Vent Fireplaces for new home construction or renovation, and your best choice for installation anywhere throughout your home.

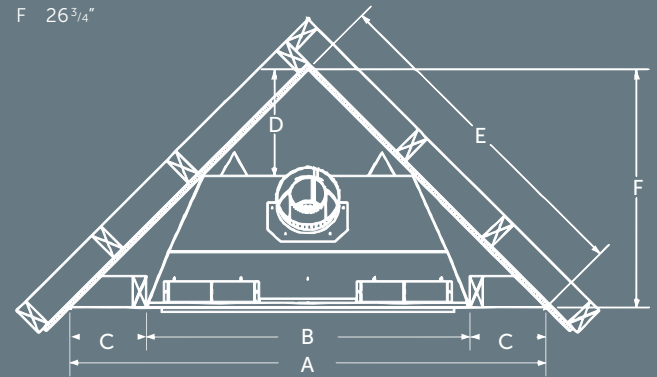
UNIT AND FRAMING SPECIFICATIONS

Height Actual	Height Framing	Width Actual	Width Framing	Depth Actual	Depth Framing
37 ¹ / ₈ "	37 ¹ / ₄ "	36"	36 ³ / ₈ "	17 ⁷ / ₁₆ "	17 ¹ / ₂ "



CORNER FRAMING DIMENSIONS

- A 53¹/₂"
- B 36³/₈"
- C 8⁹/₁₆"
- D 12"
- E 37¹/₈"
- F 26³/₄"



ZCVRB3622N Zero Clearance Direct Vent Natural Gas Linear Fireplace with Decorative Bronze Glass, ZCVRB36SSS Surround Trim Kit (Stainless Steel), Z3622PRL Porcelain Reflective Liner.





Find all detailed ZCVRB3622 manuals.

2340 Logan Avenue
Winnipeg, Manitoba, Canada R2R 2V3
Phone: (204) 632-1962 Fax: (204) 632-1960
www.kingsmanfireplaces.com

ZCVRB3622

ZERO CLEARANCE DIRECT VENT LINEAR GAS FIREPLACE

⚠ FOR CALIFORNIA RESIDENTS ONLY:
WARNING! This product can expose you to chemicals including Carbon Monoxide, that is an externally vented by-product of fuel consumption, which is [are] known to the State of California to cause birth defects or other reproductive harm. For more information, visit www.P65Warnings.ca.gov.



ZCVRB3622N Zero Clearance Direct Vent Natural Gas Linear Fireplace with Decorative Bronze Glass, Z3622PRL Porcelain Reflective Liner, optional ULK2 Universal Light Kit.



*Components may have to be ordered separately to create a complete unit. Discuss with your local Kingsman dealer for clarification. Kingsman Fireplaces maintains a program of continuous testing, refinement and improvements of all its products. Some aspect of units shown here may be changed at any time without notice or obligation. Certified to: ANSI Z21.88-2017 • CSA 2.33-2017 Vented Gas Fireplace Heaters, CSA 2.17-2017

Canada

ENERGUIDE

Look for the **EnerGuide** Gas Fireplace Energy Efficiency Rating in this brochure

Based on CSA P.4.1-15



CRAFTED ENTIRELY IN CANADA, EACH KINGSMAN FIREPLACE IS BUILT TO THE HIGHEST STANDARDS AND MADE TO LAST.