

OUTDOOR LINEAR FIRE PIT MANUAL



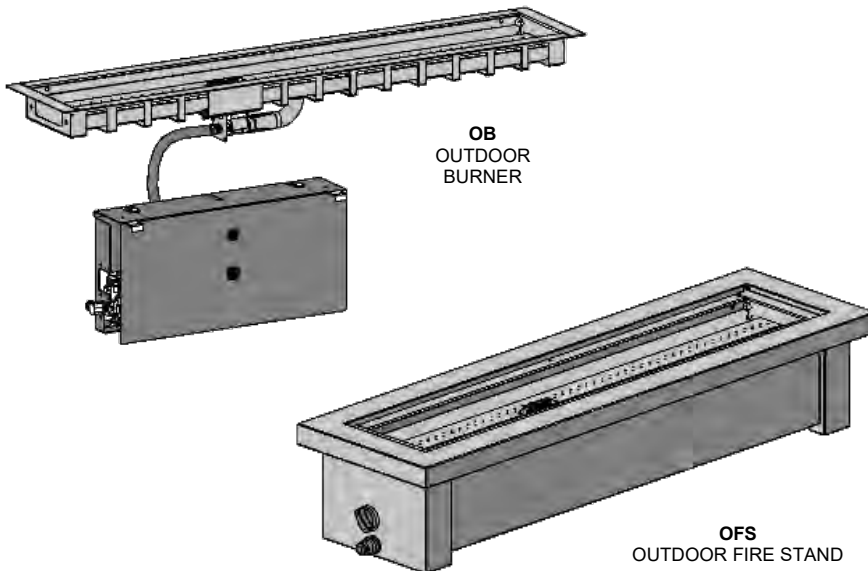
OUTDOOR BURNERS: OB24MANT, OB24MAPT, OB24MVN, OB24MVP, OB24IPN, OB24IPP, OB36MANT, OB36MAPT, OB36MVN, OB36MVP, OB36IPN, OB36IPP, OB48MANT, OB48MAPT, OB48MVN, OB48MVP, OB48IPN, OB48IPP, OB72MVN, OB72MVP, OB72IPN, OB72IPP, OB96MVN, OB96MVP

OUTDOOR FIRE STANDS (c/w Burner): OFS24MANT, OFS24MAPT, OFS36MANT, OFS36MAPT, OFS48MANT, OFS48MAPT

-CERTIFIED FOR USA & CANADA- ANSI Z21.97-2017 • CSA 2.41-2017
OUTDOOR DECORATIVE GAS APPLIANCES

NOTE: LP MANUAL (MAPT) VALVE SYSTEMS ARE SHIPPED WITH AN ACCOMPANYING ORIFICE FOR NG CONVERSION.

ALL MILLIVOLT AND IPI VALVE SYSTEMS ARE SHIPPED AS NG SYSTEMS (MVN & IPN) AND REQUIRE A CONVERSION KIT FOR LP CONVERSION.



INSTALLER: Leave this manual with the appliance.
CONSUMER: Retain this manual for future reference.

DANGER



CARBON MONOXIDE HAZARD

This appliance can produce carbon monoxide which has no odor.

Using it in an enclosed space can kill you.

Never use this appliance in an enclosed space such as a camper, tent, car or home.

This appliance is designed as an “attended appliance”. Adults must be present when the unit is operating. **DO NOT** leave this unit burning when unattended. If this product is left burning unattended it may cause damage or serious injury.

DANGER

FIRE OR EXPLOSION HAZARD

If you smell gas:

- Shut off gas to the appliance.
- Extinguish any open flame.
- If odor continues, leave the area immediately.
- After leaving the area, call your gas supplier or fire department.

Failure to follow these instructions could result in fire or explosion, which could cause property damage, personal injury, or death.

WARNING

Do not store or use gasoline or other flammable vapors and liquids in the vicinity of this or any other appliance.

An LP-cylinder not connected for use shall not be stored in the vicinity of this or any other appliance.

WARNING

For Outdoor Use Only.

Installation and service must be performed by a qualified installer, service agency, or the gas supplier.

WARNING

If the information in this manual is not followed exactly, a fire or explosion may result causing property damage, personal injury, or loss of life.

Pre-installation Questions and Answers

About curing of the paint

Your stove or fireplace has been painted with the highest quality silicone stove paint. This paint dries quickly in 15-20 minutes when first applied at the factory. However, due to the high temperature silicone components, the paint will cure when heat is applied to the appliance as it is first used. The following information applies to the curing process to get the paint fully hard and durable.

Fire the appliance four successive times for 10 minutes each firing and a 5 minute cool down between each. Be aware during log and firebox paint curing that a white deposit may be developing on the inside of the glass doors. It is important to remove this white deposit from the glass doors using a fireplace glass cleaner.

- Babies, small children, pregnant women and pets should leave the area during the cure phase.
- Ventilate well, open doors and windows.
- Do not touch during curing.

Why does my fireplace or stove give off odor?

It is normal for your fireplace to give off some odor at first. This is due to the curing of the paint, adhesives, silicones and any undetected oil from the manufacturing process as well as the finishing materials used with the installations (e.g. marble, tile and the adhesives used to adhere this product to the walls can react with heat and cause odors).

It is recommended that you burn your gas fireplace or stove for a minimum of four hours at a time with the fan off (if a fan is present) after the curing of the paint has been completed. These odors can last upward to 40 hours of burn time; keep burning at a minimum of four hours per use until odors dissipate.

Noise coming from the fireplace?

Noise is caused by the expansion and contraction of metal as the appliance heats up and cools down. This is normal and is similar to the sounds produced by a furnace or heating duct. This noise does not affect the operation or longevity of your fireplace.

Note to the Installer:

Be sure appliance is working properly and its operation (including remote control operation, if included) is fully explained to and understood by the customer.

-Operating Instructions-

1. Be sure to read and understand all the instructions in this manual before operation of appliance.
2. Ensure all wiring is correct and properly enclosed to prevent possible shock.
3. Check for gas leaks.
4. If brick or porcelain liners are used, ensure they are installed.
5. Verify that the pilot can be seen when lighting the appliance. If not, the log or rock placement is incorrect.
6. If the unit is turned off, you must wait a minimum of 60 seconds before re-lighting it.

Important Information About Outdoor Fireplaces

Before you build in this appliance:

- Do not insulate around the appliance. Heat buildup could lead to component failure.
- Pay attention to all clearances to combustibles and specifications stated in this manual.
- Drainage- If this appliance is installed in a location where it will be exposed to water and moisture, drainage is an important consideration.
- Inadequate drainage will cause rust, which is not covered by the warranty.

Information about outdoor fireplaces

- Outdoor fire burning appliances may not function properly at all times regardless of the circumstances.
- Wind can greatly affect flame performance. If used in windy conditions a wind guard is recommended.
- Outdoor units require adequate ventilation in order to burn properly.
- Restricted access to air is not only dangerous for persons near the appliance, but the appliance also will not function correctly.
- This appliance consumes air, burns fuel, and emits heat and exhaust gases.
- Only approved media and accessories listed in this manual should be used with this appliance.
- This appliance is not intended for use in temperatures below freezing.
- The pilot burner (if equipped) should be OFF, and covered to protect it from the elements when not in use.

 **DANGER**



**HOT GLASS WILL
CAUSE BURNS.**

**DO NOT TOUCH GLASS
UNTIL COOLED.**

**NEVER ALLOW CHILDREN
TO TOUCH GLASS.**

If a barrier for this appliance becomes damaged, the barrier shall be replaced with the manufacturer's barrier for this appliance.

- Table of Contents -

Pre-installation Questions and Answers.....	2
Important Information About Outdoor Fireplaces.....	2
Table of Contents.....	3-4
Warnings.....	5
Gas Line Installation.....	5
Locating Your Appliance.....	6
Clearance Specifications.....	6
Outdoor Burners -Basic Models and Applications.....	7
- Outdoor Burners -	
Burner Systems for Custom Applications.....	8
Dimensions- Manual Valve Systems c/w Thermocouple.....	9
Unpacking and Setup - MAPT / MANT Manual Burner Systems.....	10
Installing Manual MAPT / MANT Valve Systems in Custom Enclosures.....	11
Dimensions- Millivolt & IPI Systems.....	12
Unpacking and Setup – MVN / MVP Millivolt Burner Systems.....	13
Unpacking and Setup – IPI Burner Systems.....	14
OBUVM2 Universal Valve Box – Millivolt Valve Installation.....	15
Universal Valve Box – IPI Valve Installation.....	15
OBUVM2 Universal Valve Box – Installing Box in Custom Enclosures.....	16
Custom Enclosures for Millivolt and IPI Burner Systems.....	17
Enclosures for LP (Propane) Gas Supply Systems.....	18
- Outdoor Fire Stands -	
Outdoor Fire Stands- Dimensions – OFS 24 / 36 / 48.....	19
Outdoor Fire Stands- Unpacking and Setup.....	20
- Accessories and Options -	
Glass Media for Outdoor Burners.....	21
Optional Media Accessories.....	21-22
Burner Lids for OB Burners.....	23
Wind Guards for Fire Tables, Custom Applications.....	24
Wind Guards - Custom Sizes.....	25
- Maintenance -	
Burner System Maintenance.....	26
General Maintenance Instructions.....	27
- Burner System and Lighting -	
Manual Lighting Instructions.....	28
Millivolt Lighting Instructions.....	29
Optional Electronic Spark Assist for Millivolt Systems.....	30
IPI Lighting Instructions.....	31
Gas Specifications.....	32
LP Cylinder Requirements.....	33
LP Conversion Kits.....	33
Gas Conversion Manual Valve Systems.....	34
Gas Conversion Millivolt & IPI Valve Systems.....	35
Gas Conversion- Millivolt Pilot.....	36
Gas Conversion- Part A - IPI Pilot.....	37
Gas Conversion for Modulator Millivolt & IPI Systems.....	38
Troubleshooting the Gas Control System.....	39
- IPI Proflame 1 -	
Overview.....	40
Proflame 1 Parts List.....	41
Proflame 1 Schematic Drawing.....	41

Proflame 1 Remote Control Operation.....	42
- IPI Proflame 2 -	
Proflame 2 Parts List.....	43
Proflame 2 Schematic Drawing.....	43
IPI Proflame 2 IFC Module and Remote Control.....	44
WMBH – Wall Mount Battery Holder – Proflame 1 and 2 IPI Models – Option.....	45
- LED Lighting -	
LED Lighting - Custom Enclosures- Proflame 2 Systems only.....	46
- Parts Lists -	
OB24MAPT / OB36MAPT / OB48MAPT – Plumbing Parts.....	47
OB24MVN / OB36MVN / OB48MVN – Plumbing Parts.....	47
OB24IPN / OB36IPN / OB48IPN – Plumbing Parts.....	47
OB72MVN / OB96MVN – Plumbing Parts.....	48
OB72IPN – Plumbing Parts.....	48
Outdoor Burners- Parts List.....	49-50
- Warranty -	
Limited Warranty.....	51

WARNING

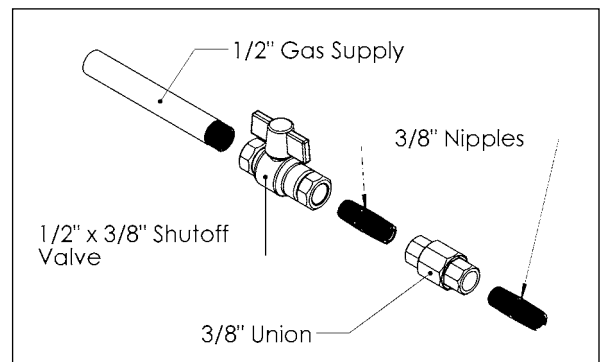
FOR SAFE INSTALLATION AND OPERATION OF YOUR GAS FIREPLACE PLEASE NOTE THE FOLLOWING:

1. when an appliance is for connection to a fixed piping system, the installation must conform with local codes or, in the absence of local codes, with the National Fuel Gas Code, ANSI Z223.1 • NFPA 54; National Fuel Gas Code; Natural Gas and Propane Installation Code, CSA B149.1; or Propane Storage and Handling Code, CSA B149.2, as applicable.
2. This appliance, when installed, must be electrically grounded in accordance with local codes or, in the absence of local codes, with the National Electrical Code, ANSI/NFPA 70; or the Canadian Electrical Code, CSA C22.1, if applicable.
3. THIS UNIT IS NOT FOR USE WITH SOLID FUEL.
4. Always keep the appliance clear and free from combustible materials, gasoline, and other flammable vapors and liquids.
5. Inspect the fuel supply connection (including the hose for LP models) before each use of the appliance. See Lighting Instructions for removal of Access Panel.
6. If it is evident there is excessive abrasion or wear, or the hose is damaged, it must be replaced prior to the appliance being put into operation. Locate the hose out of pathways where people may trip over it or in areas where the hose may be subject to accidental damage
7. Locate the hose out of pathways where people may trip over it or in areas where the hose may be subject to accidental damage.
8. Children and adults should be alerted to the hazards of the high surface temperatures of this appliance and should stay away to avoid burns or ignition of clothing.
9. Young children should be carefully supervised when they are in the area of the appliance.
10. Clothing or other flammable material should not be placed on or near the appliance. This appliance should not be used as a drying rack for clothing.
11. Any safety screen or guard removed for servicing an appliance must be replaced prior to operating the appliance.
12. Installation and repair should be done by a qualified service person. The appliance should be inspected before use and at least annually by a professional service person. More frequent cleaning may be required due to excessive lint from carpeting, et cetera. It is imperative that control compartments, burners and circulating air passageways of the appliance be kept clean.
13. Do not use this appliance if any part has been under water. Immediately call a qualified service technician to inspect the unit and to replace any part of the control system and any gas control which has been underwater.

- Gas Line Installation -

This gas appliance should be installed by a qualified installer in accordance with local building codes and with current CAN/CGA - B149.1 or .2 installation codes for Gas Burning appliances and equipment in Canada and the National Fuel Gas Code ANSI Z223 in the U.S.A.

1. The gas pipeline can be brought in through either the left side or the bottom of the appliance. A knockout is provided at either location to allow for the gas pipe installation and testing of any gas connection.
2. The gas control inlet is 3/8" NPT. Typical installation layout for rigid pipe is shown at right.
3. When using copper or flex connector, use only approved fittings. Always provide a union so that gas line can be easily disconnected for burner or fan servicing. See gas specification for pressure details and ratings.
4. When a vertical section of gas pipe is required for the installation, a condensation trap is needed. See CAN/CGA-B149.1 or .2 for code details.
5. For natural gas, a minimum of 3/8" iron pipe with gas minimum pressure of 4.5" w.c. must be used for supply from the gas meter. Consult with the local gas utility if any questions arise concerning pipe sizes.
6. Ports are accessible for test gauge connection both on the inlet and outlet of the gas valve.
7. Turn the gas supply ON and check for leaks. DO NOT USE OPEN FLAME FOR THIS PURPOSE. Use an approved leak testing solution.
8. The appliance and its individual shutoff valve must be disconnected from the gas supply piping system during any pressure testing of that system at test pressures in excess of 1/2psig [3.5 KPa].
9. The appliance must be isolated from the gas supply piping system by closing its individual shutoff valve during any pressure testing of the gas supply piping system at test pressures equal to or less than 1/2psig [3.5 KPa].



Note: The gas line connection may be made of 1/2" rigid pipe, 1/2" copper pipe or an approved flex connector. Since some municipalities have additional local codes, it is always best to consult your local authorities and the current CAN/CGA - B149.1 or .2 installation code in Canada or the National Fuel Gas code ANSI Z223.1 in the U.S.A.

IMPORTANT: Always check for gas leaks with a soap and water solution. DO NOT USE OPEN FLAME FOR LEAK TESTING.

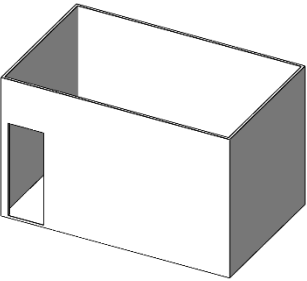
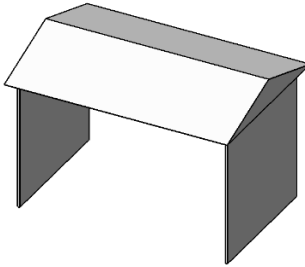
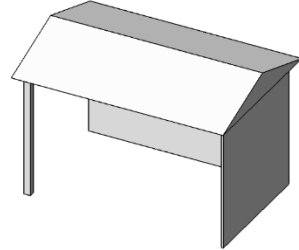
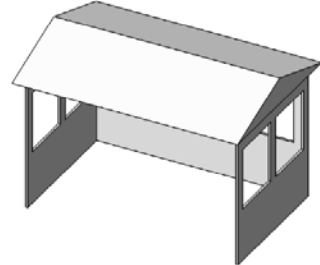
Locating Your Appliance

Note: Ventilation and air flow comes from openings in the walls and ceiling. Open floor space around the appliance must not be considered ventilation and air flow space.

- This unit requires combustion air and will produce exhaust gases. Install in an open-air situation with natural ventilation and without stagnant areas.
- Avoid installing in tight spaces and corners.
- Be aware of combustibles (i.e. furniture) near appliance. Clearance is 12" when using a wind guard.
- By definition, an outdoor space is not enclosed. Any area in which these appliances are used shall comply with the structures shown below.

Locating Your Appliance – Outdoor Spaces

This appliance may be installed within the following structures:

<p>1.</p>  <p>Walls on all sides (Minimum area of 96 square feet), but with no overhead cover and at least one permanent opening (doorway) at ground level.</p>	<p>2.</p>  <p>Within a partial enclosure that includes an overhead cover and no more than two side walls.</p>	<p>3.</p>  <p>These side walls may be parallel, as in a breezeway, or at right angles to each other.</p>	<p>4.</p>  <p>Within a partial enclosure that includes an overhead cover and three side walls, as long as 30 percent or more of the horizontal periphery of the enclosure is permanently open.</p>
---	---	---	---

All models can be installed safely in a screened porch area within the following guidelines:

Minimum porch area is 96sq. feet with two sides fully open.

A minimum of two (2) walls can be screened, but must be open to outside ventilation, with a minimum screen area of 64 sq. feet, and a minimum side wall height of 78" inches.

Locating Your Appliance – Minimum Clearances to Combustibles- Burners / Tables

A Wind Guard is recommended for Outdoor Burners and **Required** for Outdoor Fire Tables.

Outdoor Burners (OB24 / 36 / 48 / 72 / 96)

Outdoor Fire Stands (OFS24 / 36 / 48)

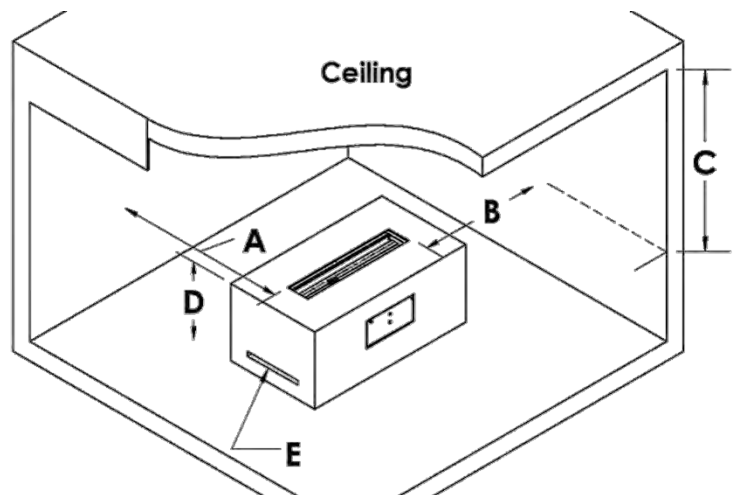
WARNING -RISK OF FIRE-

All minimum clearances must be adhered to.

Clearance	Dimension	Measured From:
A: Side wall	24"	Side of Burner Tray
B: End wall	12"	End of Burner Tray
C: Ceiling	49-1/2"	Top of Burner Tray
D: Floor	8"	Top of Burner Tray

E: Air openings required in custom enclosures-

- OB24- 35 square inches (e.g. 2 slots 1.5" x 12")
- OB36- 53 square inches (e.g. 2 slots 1.5" x 18")
- OB48- 71 square inches (e.g. 2 slots 1.5" x 24")
- OB72- 106 square inches (e.g. 2 slots 1.5" x 36")
- OB96- 142 square inches (e.g. 2 slots 1.5" x 48")

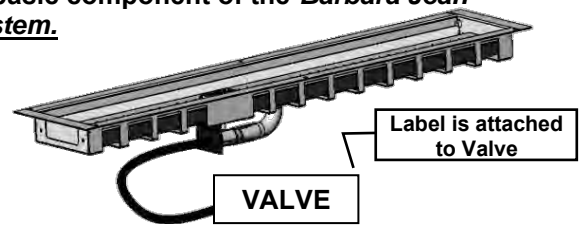


Outdoor Burners Basic Models and Applications

The Outdoor Burners (OB24, OB36, OB48, OB72, and OB96) are the basic component of the *Barbara Jean Series*. These burners are a Complete Certified and Listed Burner System.

- They consist of:
- Burner
 - Valve Control (Manual / Millivolt / IPI)
 - Label

These burners can be placed into **Custom Enclosures** which meet the specifications stated in the manual.



Burners for Custom Applications and Optional OFS, OFT, and OFP Installations					
LISTED BURNER	MAPT / MANT Manual Valve	MVP Millivolt-LP	MVN Millivolt-NG	IPN IPI-NG	IPP IPI-LP
OB24 Burners	✓	Conversion Kit Required	✓	✓	Conversion Kit Required
OB36 Burners	✓	Conversion Kit Required	✓	✓	Conversion Kit Required
OB48 Burners	✓	Conversion Kit Required	✓	✓	Conversion Kit Required
OB72 Burners	N/A	Conversion Kit Required	✓	✓	Conversion Kit Required
OB96 Burners	N/A	NA	N/A	✓	Conversion Kit Required

Burner systems may be connected together in series (i.e., OB36MAPT & OB48MAPT). See *Custom Enclosures* section.

ALL LP MANUAL (MAPT) VALVE SYSTEMS ARE SHIPPED WITH AN ACCOMPANYING ORIFICE FOR NG CONVERSION.

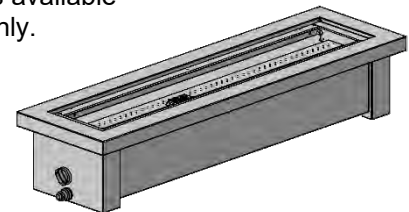
ALL MILLIVOLT AND IPI VALVE SYSTEMS ARE SHIPPED AS NG SYSTEMS (MVN & IPN) AND REQUIRE A CONVERSION KIT

The following **Approved Accessories** can also be ordered:

Outdoor Fire Stand (OFS) Approved Accessory (Burner is Included)

LISTED BURNER	OFS Fire Stand	MAPT Manual-LP	MANT Manual-NG
OB24-	OFS24-	✓	✓
OB36-	OFS36-	✓	✓
OB48-	OFS48-	✓	✓

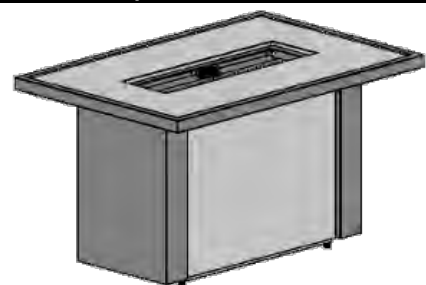
Outdoor Fire Stand is available with a Manual Valve only.



Outdoor Fire Table (OLT) Approved Accessory (Burner is Included)

LISTED BURNER	OFT Outdoor Fire Table	MAPT / MANT Manual Valve
OB24-	OLTG24	✓
OB24-	OLTB24	✓
OB36-	OLTG36	✓
OB36-	OLTB 36	✓
OB48-	OLTG48	✓
OB48-	OLTB48	✓

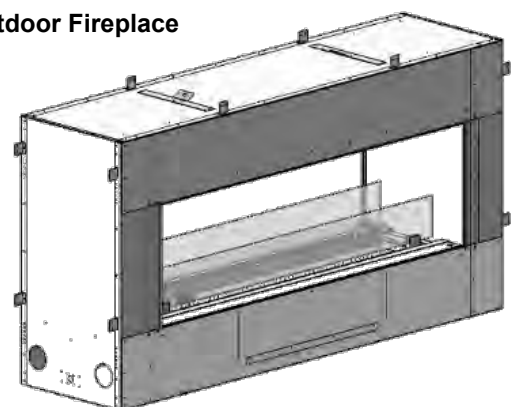
Outdoor Fire Table



Outdoor Fireplace (OFP) Approved Accessory (Burner is included)

LISTED BURNER	OFP Outdoor Fireplace	MVP Millivolt-LP	MVN Millivolt-NG	IPP IPI-LP	IPN IPI-NG
OB36-	OFP4336 S1 or S2	Conversion Kit Required	✓	Conversion Kit Required	✓
OB48-	OFP5548 S1 or S2	Conversion Kit Required	✓	Conversion Kit Required	✓
OB72-	OFP7972 S1 or S2	Conversion Kit Required	✓	Conversion Kit Required	✓

Outdoor Fireplace



Burner Systems for Custom Applications

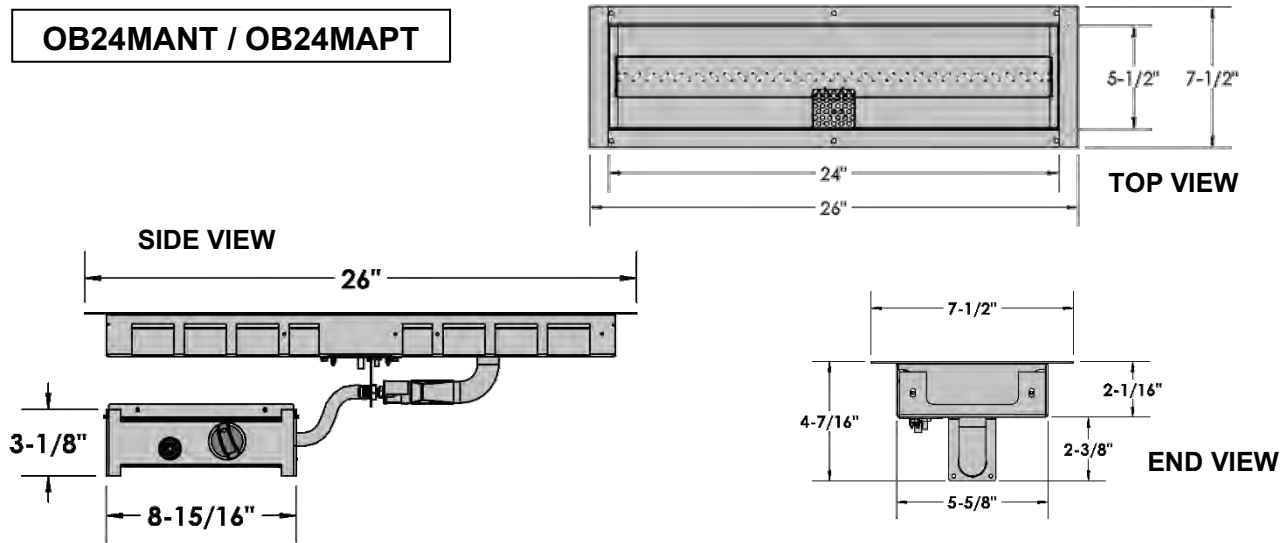
Burner System c/w Valve	Valve System	Stocked Burner Conversion Kit shown	Burner (OB) Dimensions for Custom Applications (Add 1/8" per side for tolerance)	Outdoor Fire Stand (OFS)	Outdoor Fire Table (OLTG / OLTB)	Outdoor Fireplace (OFP)
OB24MAPT	Manual	LP Burner (c/w NG Orifice)	7-1/2" wide x 26" long x 2" tall	OFS24MAPT	OLTG24 OLTB24	N/A
OB24MVN	SIT Millivolt	NG Burner For LP order 24OB-CKLP	7-1/2" wide x 26" long x 2" tall	N/A	N/A	N/A
OB24IPN	IPI	NG Burner For LP order 24OB-CKLP2	7-1/2" wide x 26" long x 2" tall	N/A	N/A	N/A
OB36MAPT	Manual	LP Burner (c/w NG Orifice)	7-1/2" wide x 38" long x 2" tall	OFS36MAPT	OLTG36 OLTB36	N/A
OB36MVN	SIT Millivolt	NG Burner For LP order 36OB-CKLP	7-1/2" wide x 38" long x 2" tall	N/A	N/A	OFP4336S1 OFP4336S2
OB36IPN	IPI	NG Burner For LP order 36OB-CKLP2	7-1/2" wide x 38" long x 2" tall	N/A	N/A	OFP4336S1P2 OFP4336S2P2
OB48MAPT	Manual	LP Burner (c/w NG Orifice)	7-1/2" wide x 50" long x 2" tall	OFS48MAPT	OLTG48 OLTB48	N/A
OB48MVN	SIT Millivolt	NG Burner For LP order 48OB-CKLP	7-1/2" wide x 50" long x 2" tall	N/A	N/A	OFP5548S1 OFP5548S2
OB48IPN	IPI	NG Burner For LP order 48OB-CKLP2	7-1/2" wide x 50" long x 2" tall	N/A	N/A	OFP5548S1P2 OFP5548S2P2
OB72MVN	SIT Millivolt	NG Burner For LP order 72OB-CKLP	7-1/2" wide x 74" long x 2" tall	N/A	N/A	OFP7972S1 OFP7972S2
OB72IPN	IPI	NG Burner For LP order 72OB-CKLP2	7-1/2" wide x 74" long x 2" tall	N/A	N/A	OFP7972S1P2 OFP7972S2P2
OB96MVN	SIT Millivolt	NG Burner For LP order 96OB-CKLP	7-1/2" wide x 98" long x 2" tall	N/A	N/A	N/A

Burner systems may be connected together in series (i.e., OB36MAPT & OB48MAPT). See **Custom Enclosures** section.

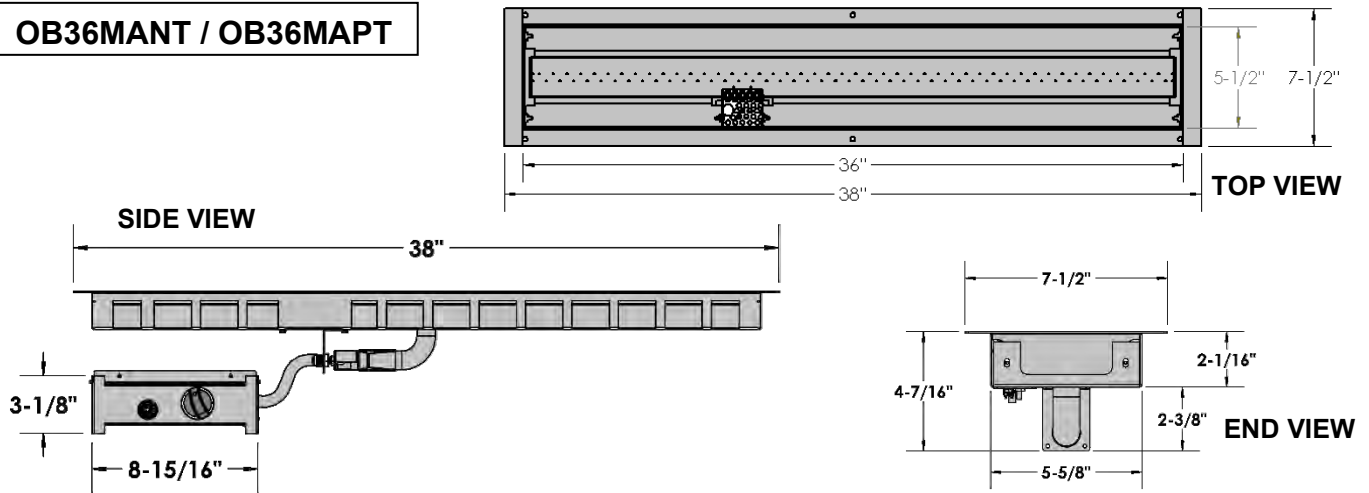
- **LP MANUAL (MAPT) VALVE SYSTEMS** ARE SHIPPED WITH ACCOMPANYING ORIFICE FOR NG CONVERSION.
- **MILLIVOLT SYSTEMS** ARE SHIPPED AS NG SYSTEMS (MVN) AND REQUIRE A CONVERSION KIT FOR LP CONVERSION.
- **IPI SYSTEMS** ARE SHIPPED AS NG SYSTEMS (IPN) AND REQUIRE A CONVERSION KIT FOR LP CONVERSION.
- **CKLP5 Conversion Kits** are supplied with a 5 foot Regulator Hose.
- **CKLP10 Conversion Kits** are supplied with a 10 foot Regulator Hose.

Dimensions- Manual Valve Systems c/w Thermocouple

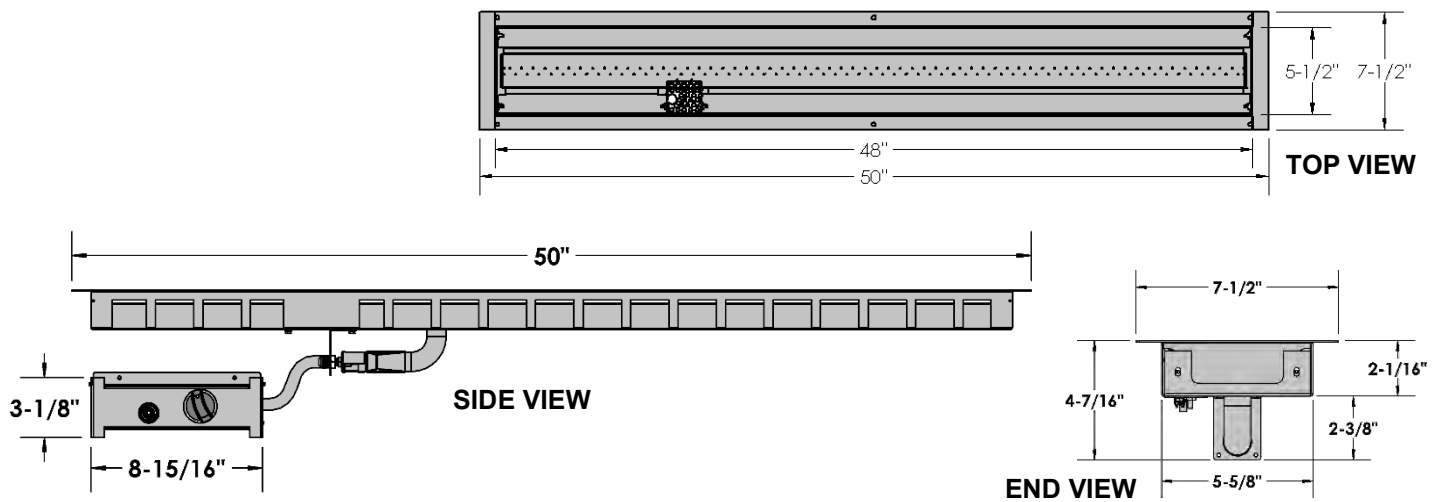
OB24MANT / OB24MAPT



OB36MANT / OB36MAPT



OB48MANT / OB48MAPT



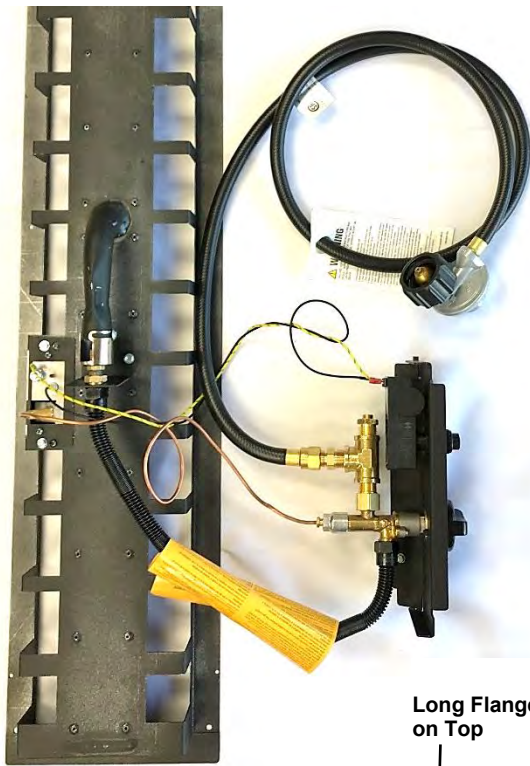
OB Burners – Unpacking and Setup – MAPT / MANT Manual Valve Systems

Parts List: OB24 / OB36 / OB48 MAPT/MANT

- [1] Burner, c/w [1] Pilot Shield, [2] Ends, [3] Filler Strips
- [1] Manual Valve (c/w Regulator & 10ft Hose)
- [1] Thermocouple
- [1] Push Button Igniter c/w wire and Sparker
- [1] Igniter Mount Plate
- [1] Brass Orifice for NG Conversion
- [1] Tank Retainer

Hardware Bag: [10] 1/2" DT Screws, [4] #6 Black Screws, [2] #10 Woodscrews
[3] Filler Strips (See Below)

WARNING: Failure to position the parts in accordance with these diagrams or failure to use only parts specifically approved with this appliance may result in property damage or personal injury.



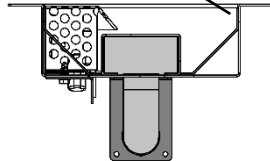
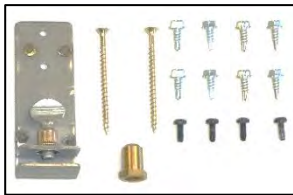
FILLER STRIPS: 24OB – 23-9/16"
36OB – 35-9/16"
48OB – 47-9/16"



24OB – 10-5/8"
36OB – 10-5/8"
48OB – 10-5/8"

24OB – 10-5/8"
36OB – 22-5/8"
48OB – 34-5/8"

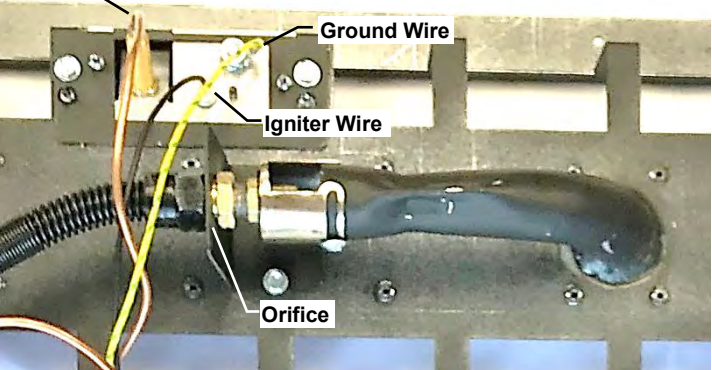
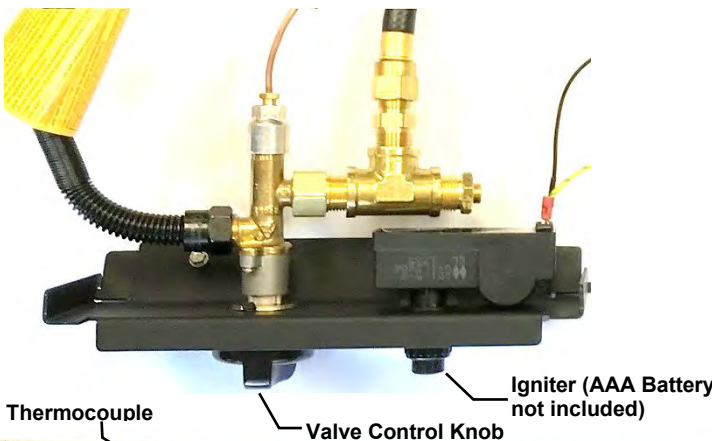
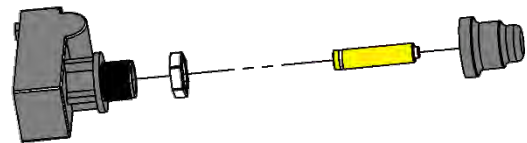
Long Flange on Top



STEP 1: Install Burner with attached Valve System into structure. Refer to *Installing Manual MAPT / MANT Valve Systems in Custom Enclosures*.

STEP 2: Install Filler Strips before media is placed into burner.

STEP 3: Install AAA battery (not included) into Igniter.



NG Conversion Orifices

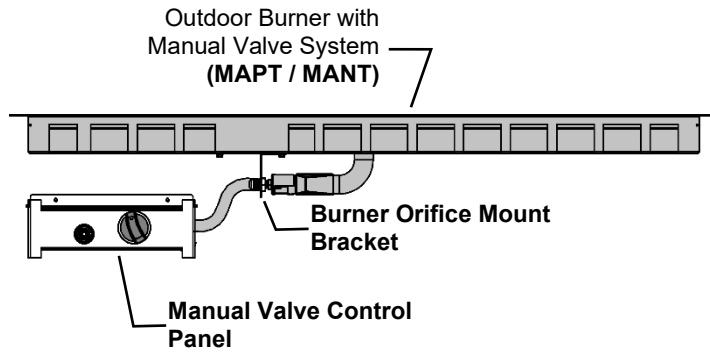
(Included with MAPT Burners)

- OB24 - #32
- OB36 - #15
- OB48 - #15

Air Shutter = 1/16" - NG
Air Shutter = Full Open - LP

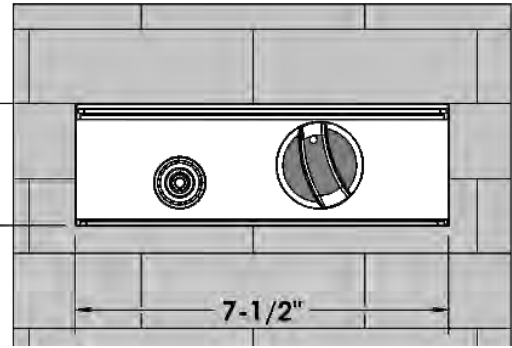
Installing Manual MAPT / MANT Valve Systems in Custom Enclosures

The **Cutout Size** for the Valve Control Panel is 2-7/16" tall x 7-1/2" wide.



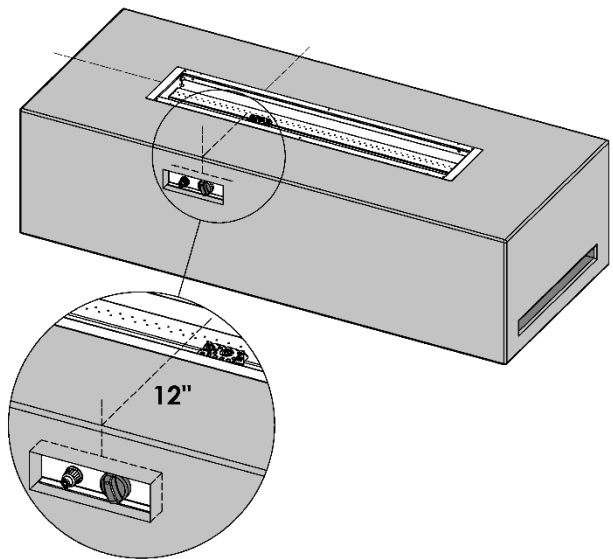
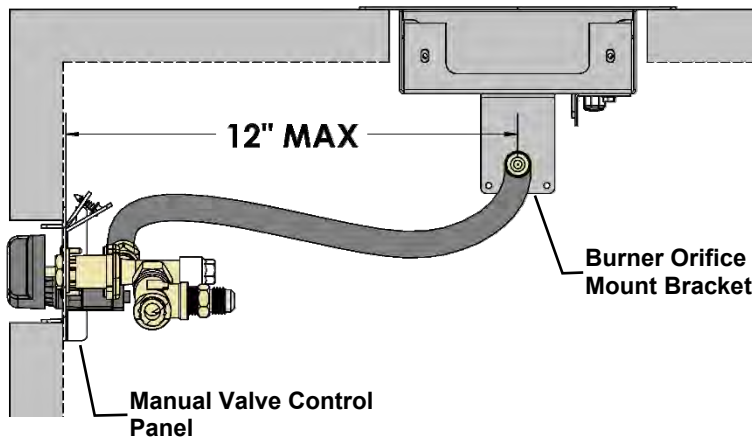
2-7/16"

CUSTOM ENCLOSURE CUTOUT

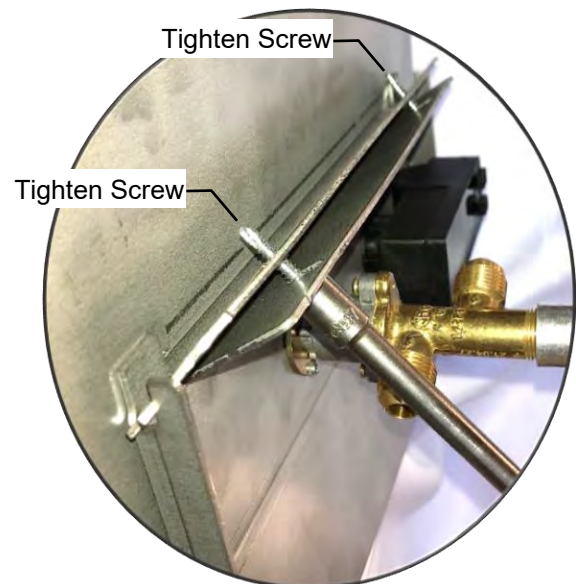
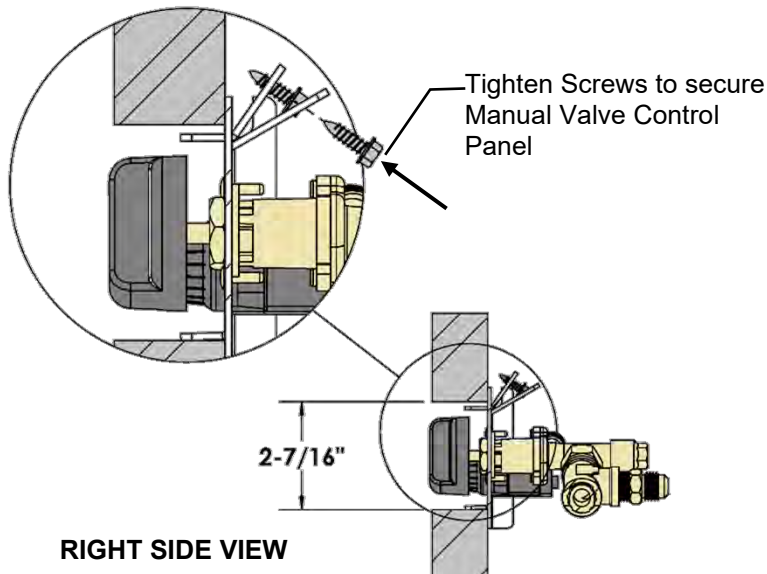


The Manual Valve Control Panel must be located within 12" of the Burner Orifice Mount Bracket.

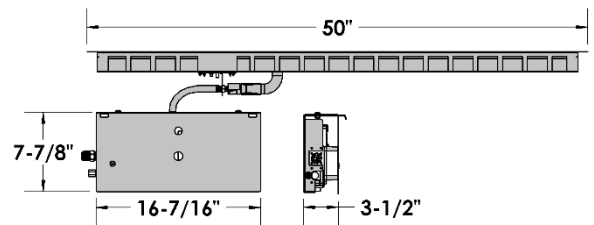
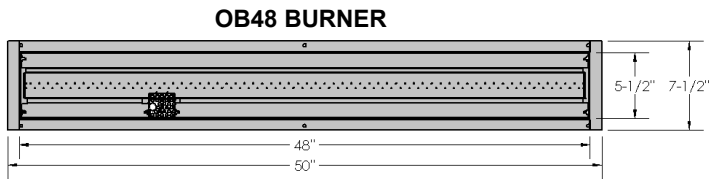
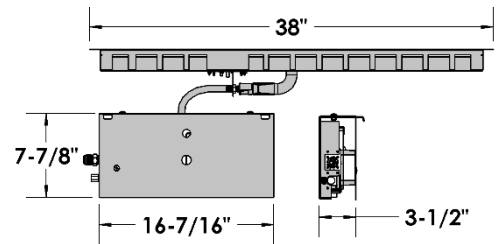
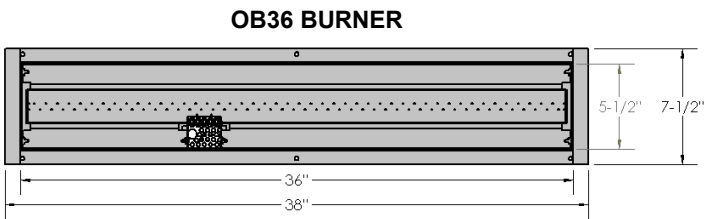
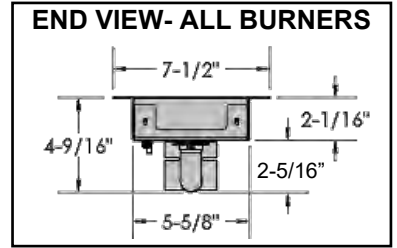
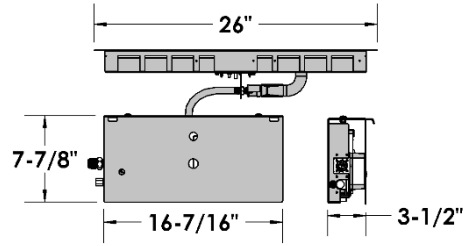
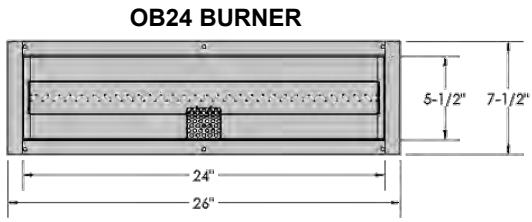
RIGHT SIDE VIEW



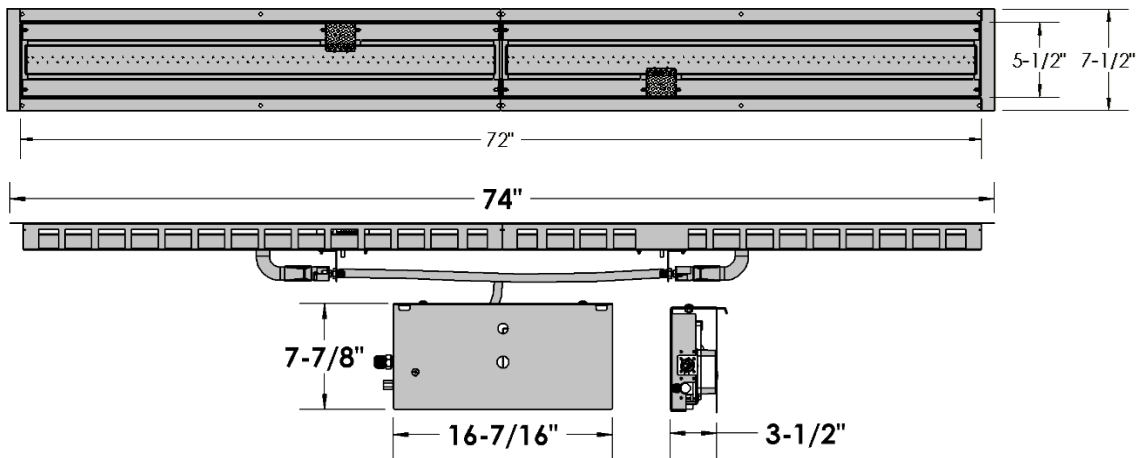
The Manual Valve Control Panel is inserted from the inside of the enclosure and set in place by tightening the [2] screws on the back of the Valve Control Panel.



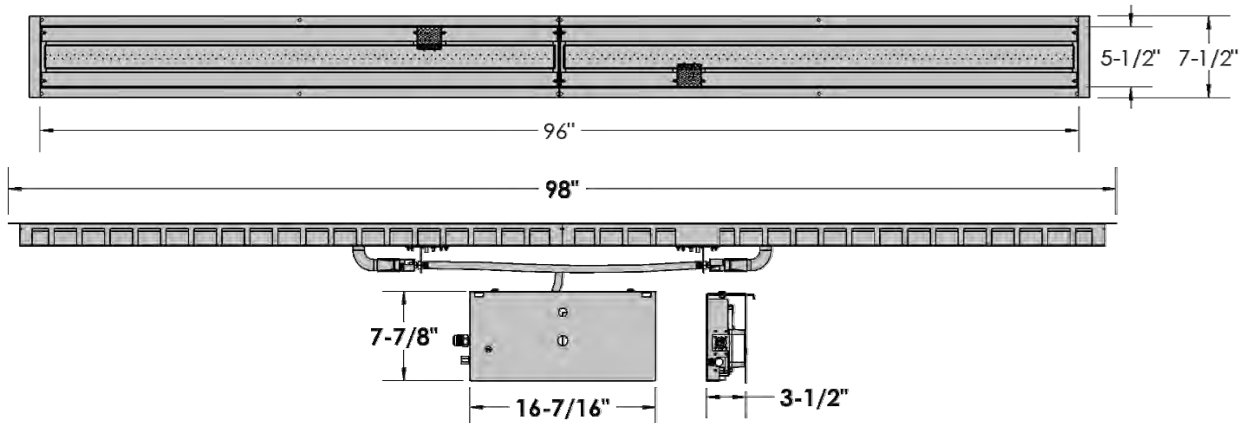
Dimensions- Millivolt & IPI Systems



OB72 BURNER

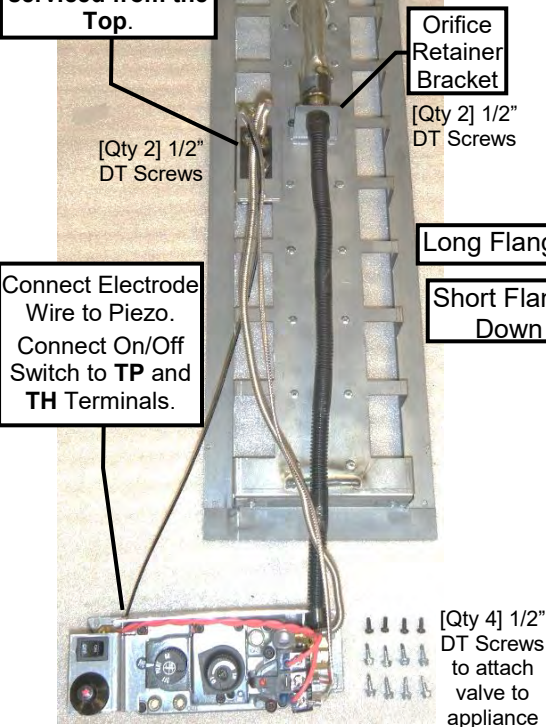


OB96 BURNER



OB Burners – Unpacking and Setup – Millivolt Valve Systems

Pilot Assembly is installed from bottom of Burner Tray – but **can be serviced from the Top.**



Parts List: OB24 / OB36 / OB48MVN

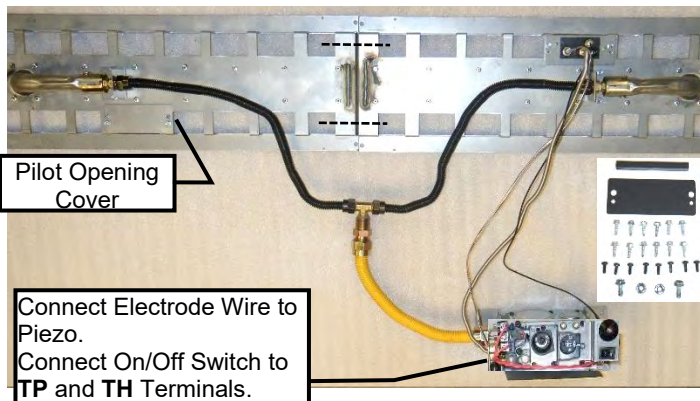
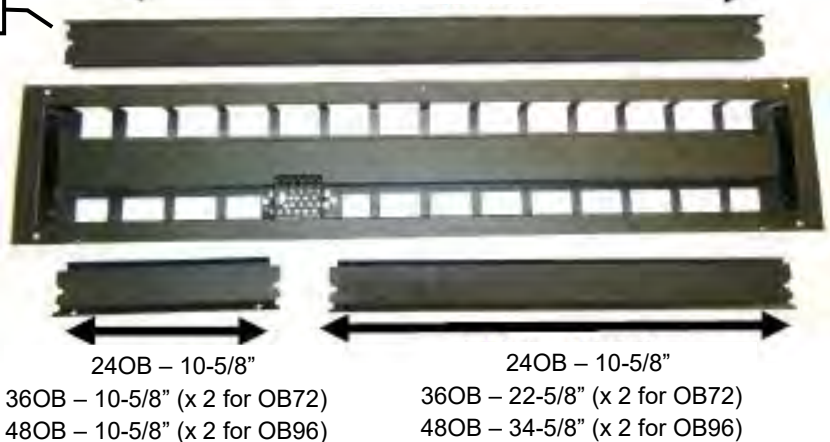
- [1] Burner, c/w [1] Pilot Shield, [2] Ends, [3] Filler Strips
- [1] Millivolt Valve System (c/w Orifice Assembly and Pilot Assembly)
- [1] Piezo Button Igniter c/w wire and Sparker
- [1] On/Off Rocker Switch (Installed on valve)
- [1] Hardware Bag: [8] 1/2" DT Screws, [4] #6 Black Screws
- [3] Filler Strips (See Below)

WARNING: Failure to position the parts in accordance with these diagrams or failure to use only parts specifically approved with this appliance may result in property damage or personal injury.

FILLER STRIPS: 24OB – 23-9/16"

36OB – 35-9/16" (x 2 for OB72)

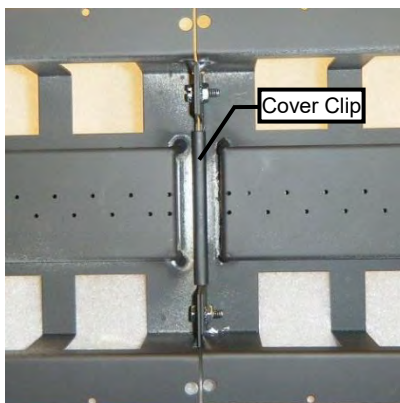
48OB – 47-9/16" (x 2 for OB96)



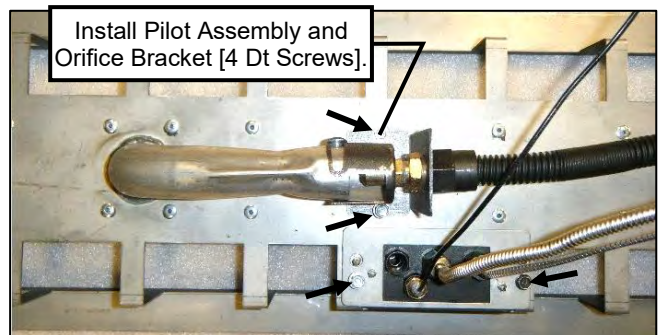
Parts List: OB72 / OB96MVN

- [2] Burners, c/w [2] Pilot Shields, [2] Ends, [6] Filler Strips
- [1] Millivolt Valve System (c/w [2] Orifice Assemblies and [1] Pilot Assembly)
- [1] Piezo Button Igniter c/w wire and Sparker
- [1] On/Off Rocker Switch (installed on valve)
- [1] Pilot Opening Cover
- [1] Hardware Bag: [12] 1/2" DT Screws, [8] #6 Black Screws, [2] 10-24 x 1/2" Bolts c/w Star Nuts
- [6] Filler Strips
- [1] Cover Clip

STEP 1 (For OB72 & OB96 only): Connect Burners using [2] 10-24 x 1/2" bolts. Set Cover Clip over joined burner ends.



STEP 2: Insert Orifice(s) into mixing sleeve(s) and install bracket(s) with [4] 1/2" DT Screws. Then insert Pilot Assembly into one Burner and attach with [2] 1/2" DT Screws. Attach Pilot Opening Cover in the other Burner with [2] 1/2"DT Screws.
Air Shutter = 1/16" - NG
Air Shutter = Full Open- LP



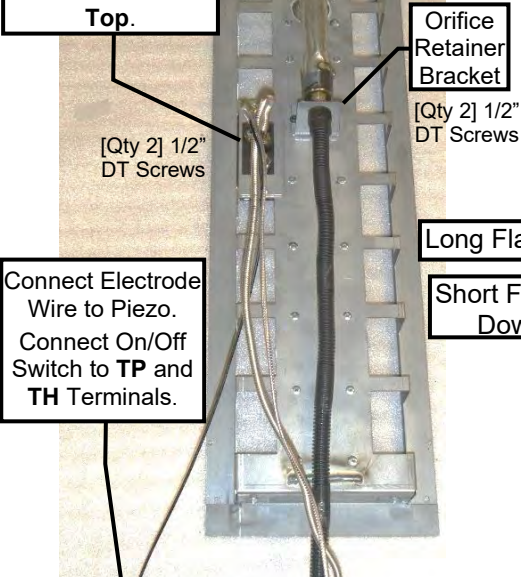
STEP 3: Install Burner with attached Valve System into structure.

For Outdoor Fire Tables (OFT) refer to **OFT Burner Installation Instructions** page.
For Outdoor Fireplaces (OFP) refer to **OFP Burner Installation Instructions** page.
For Custom Enclosures refer to **Custom Enclosures** Section.

NOTE: Filler Strips must be installed before media is placed into burner.

OB Burners – Unpacking and Setup – IPI Valve Systems

Pilot Assembly is installed from bottom of Burner Tray – but can be serviced from the Top.



[Qty 2] 1/2" DT Screws

Orifice Retainer Bracket

[Qty 2] 1/2" DT Screws

Long Flange Up

Short Flange Down

Connect Electrode Wire to Piezo. Connect On/Off Switch to TP and TH Terminals.

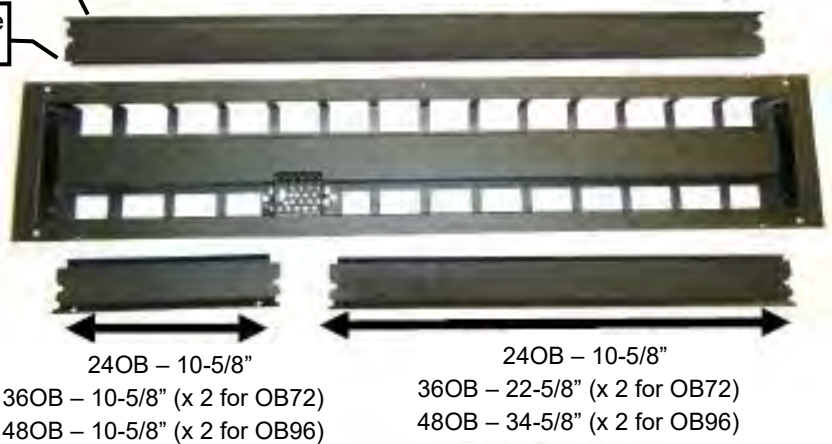
Parts List: OB24 / OB36 / OB48IPN

- [1] Burner, c/w [1] Pilot Shield, [2] Ends, [3] Filler Strips
- [1] Millivolt Valve System (c/w Orifice Assembly and Pilot Assembly)
- [1] Piezo Button Igniter c/w wire and Sparker
- [1] On/Off Rocker Switch (Installed on valve)
- [1] Hardware Bag: [8] 1/2" DT Screws, [4] #6 Black Screws
- [3] Filler Strips (See Below)

FILLER STRIPS: 24OB – 23-9/16"

36OB – 35-9/16" (x 2 for OB72)

48OB – 47-9/16" (x 2 for OB96)



24OB – 10-5/8"

36OB – 10-5/8" (x 2 for OB72)

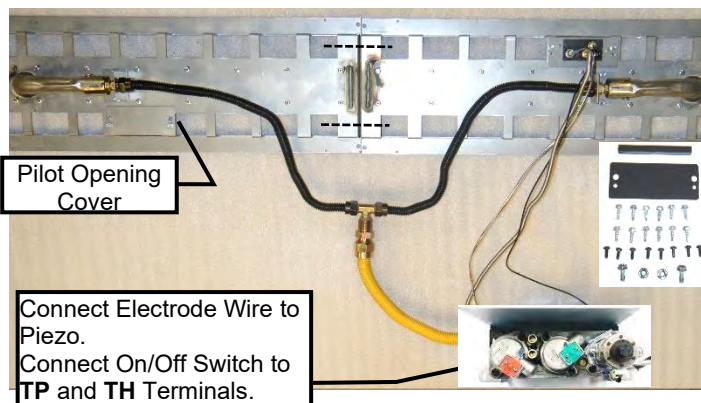
48OB – 10-5/8" (x 2 for OB96)

24OB – 10-5/8"

36OB – 22-5/8" (x 2 for OB72)

48OB – 34-5/8" (x 2 for OB96)

[Qty 4] 1/2" DT Screws to attach valve to appliance



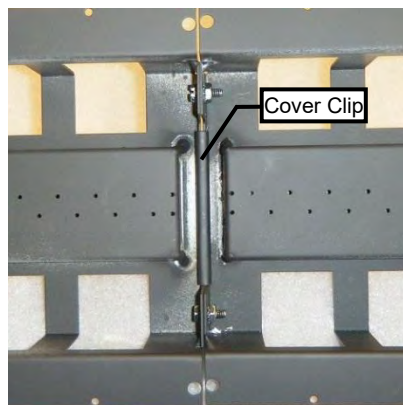
Pilot Opening Cover

Connect Electrode Wire to Piezo. Connect On/Off Switch to TP and TH Terminals.

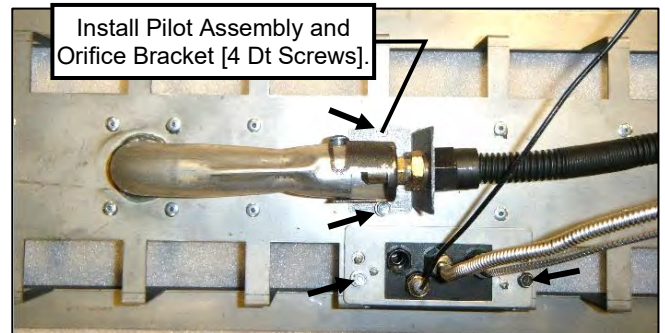
Parts List: OB72IPN

- [2] Burners, c/w [2] Pilot Shields, [2] Ends, [6] Filler Strips
- [1] Millivolt Valve System (c/w [2] Orifice Assemblies and [1] Pilot Assembly)
- [1] Piezo Button Igniter c/w wire and Sparker
- [1] On/Off Rocker Switch (installed on valve)
- [1] Pilot Opening Cover
- [1] Hardware Bag: [12] 1/2" DT Screws, [8] #6 Black Screws, [2] 10-24 x 1/2" Bolts c/w Star Nuts
- [6] Filler Strips
- [1] Cover Clip

STEP 1 (For OB72): Connect Burners using [2] 10-24 x 1/2" bolts. Set Cover Clip over joined burner ends.



STEP 2: Insert Orifice(s) into mixing sleeve(s) and install bracket(s) with [4] 1/2" DT Screws. Then insert Pilot Assembly into one Burner and attach with [2] 1/2" DT Screws. Attach Pilot Opening Cover in the other Burner with [2] 1/2"DT Screws.
Air Shutter = 1/16"- NG
Air Shutter = Full Open- LP



STEP 3: Install Burner with attached Valve System into structure.

For Outdoor Fire Tables (OFT) refer to **OFT Burner Installation Instructions** page.
For Outdoor Fireplaces (OFP) refer to **OFP Burner Installation Instructions** page.
For Custom Enclosures refer to **Custom Enclosures** Section.

NOTE: Filler Strips must be installed before media is placed into burner.

OBUVM2- Universal Valve Box – Millivolt Valve Installation

-Option

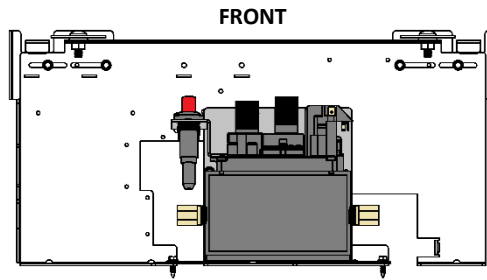


DO NOT DISCONNECT VALVE FROM PLUMBING – NOT NECESSARY

SIT Millivolt Valve Systems: OB 24/36/48/72/96 MVN/MVP Burners

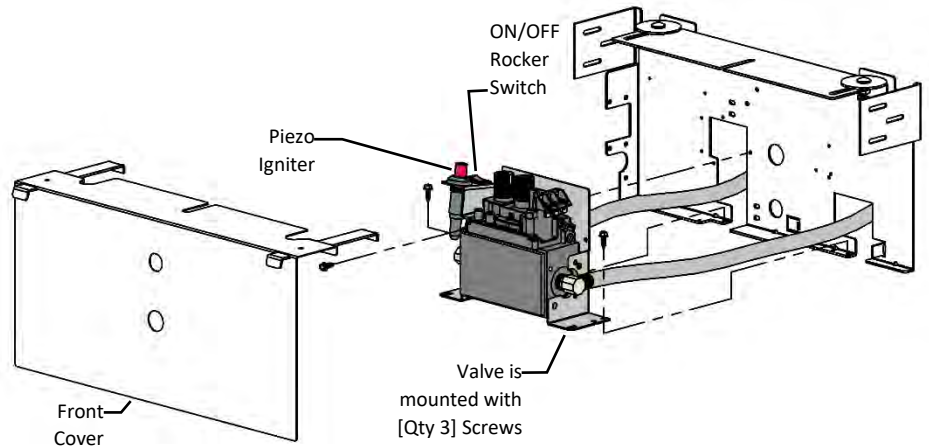
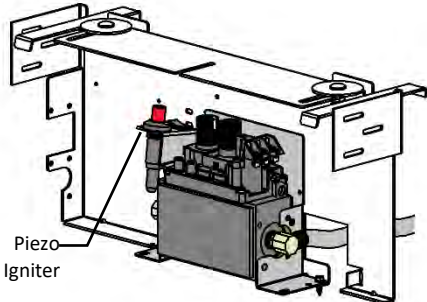
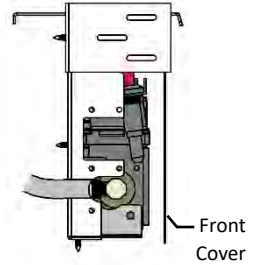
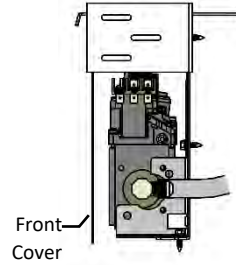
Valve Body is attached to the Universal Valve Mount Box using [Qty 3] DT Screws.

Valve Plumbing is routed through openings in Valve Mount Box.



RIGHT SIDE

LEFT SIDE



Universal Valve Box – IPI Valve Installation



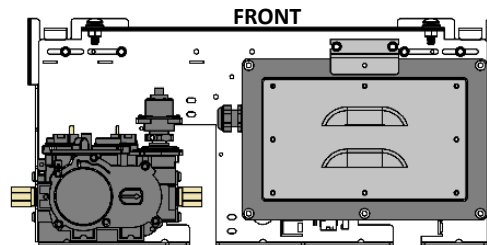
DO NOT DISCONNECT VALVE FROM PLUMBING – NOT NECESSARY

SIT Proflame Systems: OB 24/36/48/72 IPN/IPP Burners

Valve Body is attached to the Universal Valve Mount Box using [Qty 4] DT Screws.

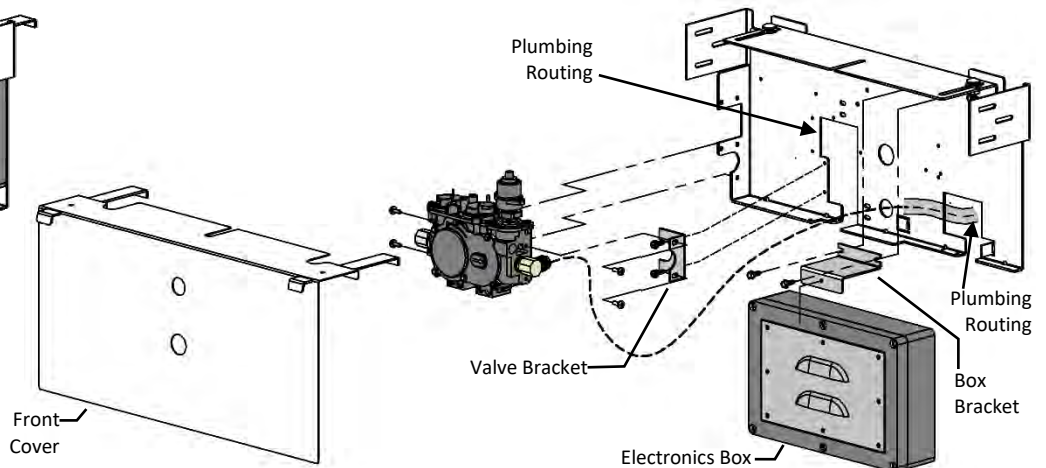
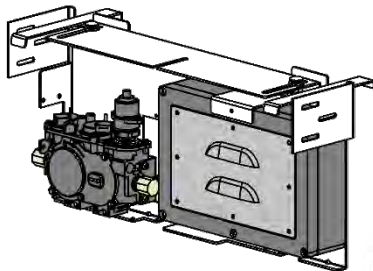
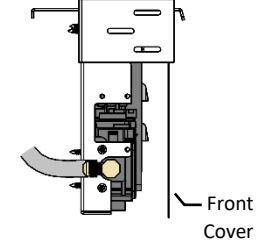
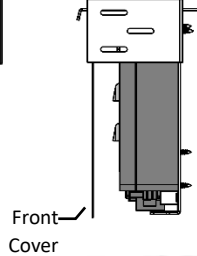
Valve Plumbing is routed through openings in Valve Mount Box.

Electronics Box is attached using the **Box Bracket** and [Qty 2] DT Screws.



RIGHT SIDE

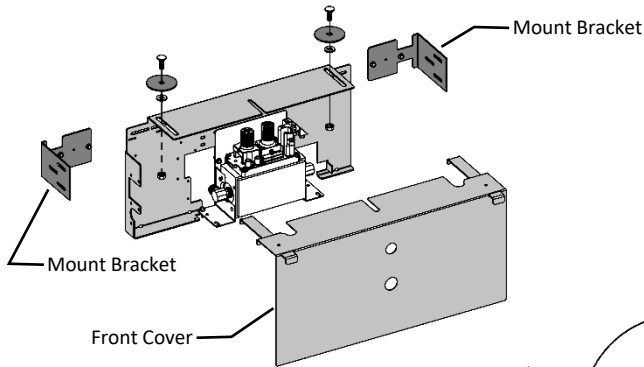
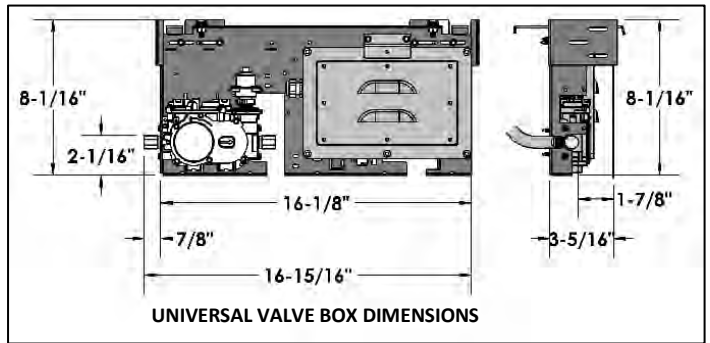
LEFT SIDE



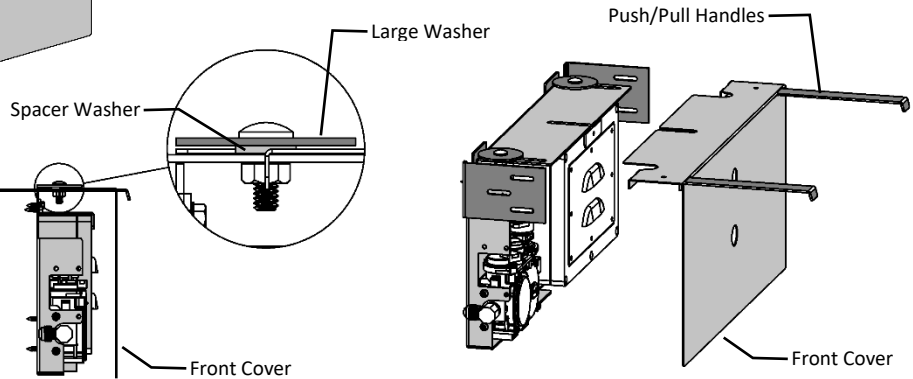
OBUVM2 - Universal Valve Box – Installing Box in Custom Enclosures

Option

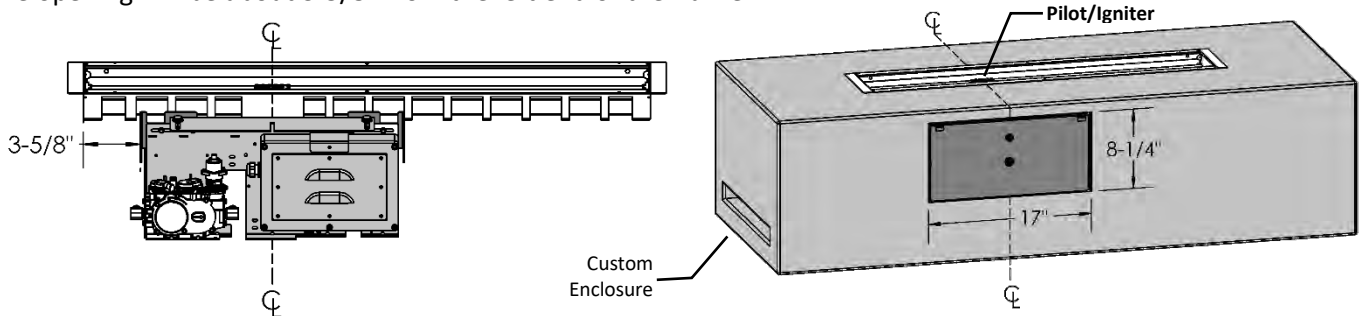
Use the **Mount Brackets** to install the Universal Valve Box in a Custom Enclosure.
Required Opening is 17" Wide x 8-1/4" High.



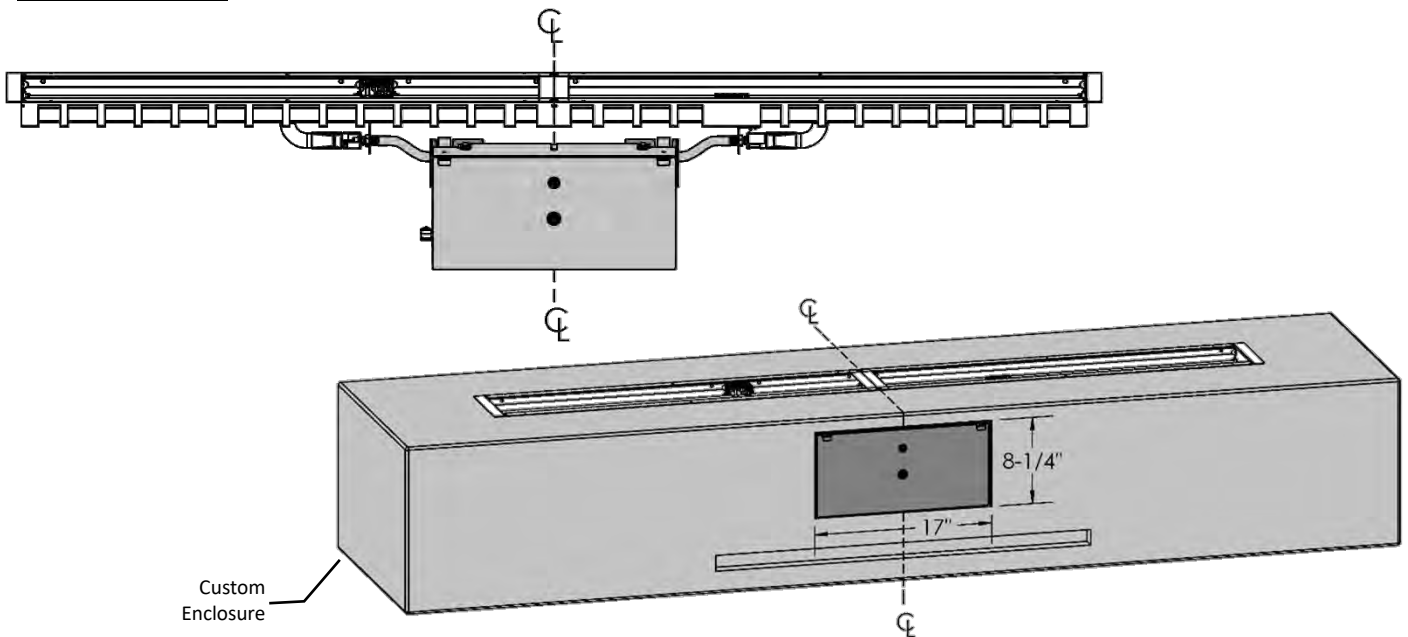
The **Front Cover** fits between the **Large Washers** and the top of the Universal Valve Box.



OB 24/36/48 Single Burners: The Universal Valve Box should be centered with the **Pilot/Igniter** location. The edge of the opening will be about 3-5/8" from the left end of the Burner.



OB 72/96 Burners: The Universal Valve Box should be centered between the two Burners.



Custom Enclosures for OB Burners – OB 24/36/48/72/96 (Must be Non-combustible)

Multiple burners can be connected together in series. When connecting burners together, add lengths of burners (24", 36", 48", 72", 96") plus 1/2" for total opening length (e.g. 24" + 72" + 24" + 1/2" = 120-1/2").

NOTE: Flame height will be noticeably higher on **OB48** burners. This can be manually adjusted.

ENCLOSURES MUST BE NON-COMBUSTIBLE. Enclosures shown are suggestions only. Refer to the Chart below for **Air Openings Required in Custom Enclosures.**

For propane installations see *Enclosures for LP (Propane) Gas Supply Systems.*

Other Considerations: Gas line Access, GFCI Receptacle (Not Provided). Refer to Local Codes.

NOTE: All Gas Controls and connections must be readily removable, supported, and accessible.

A Wind Guard is recommended.

Required Openings for Stock

Burners

OB24 – 5-3/4" x 24-1/2"

OB36 – 5-3/4" x 36-1/2"

OB48 – 5-3/4" x 48-1/2"

OB72 – 5-3/4" x 72-1/2"

OB96 – 5-3/4" x 96-1/2"

Air Openings Required in Custom Enclosures

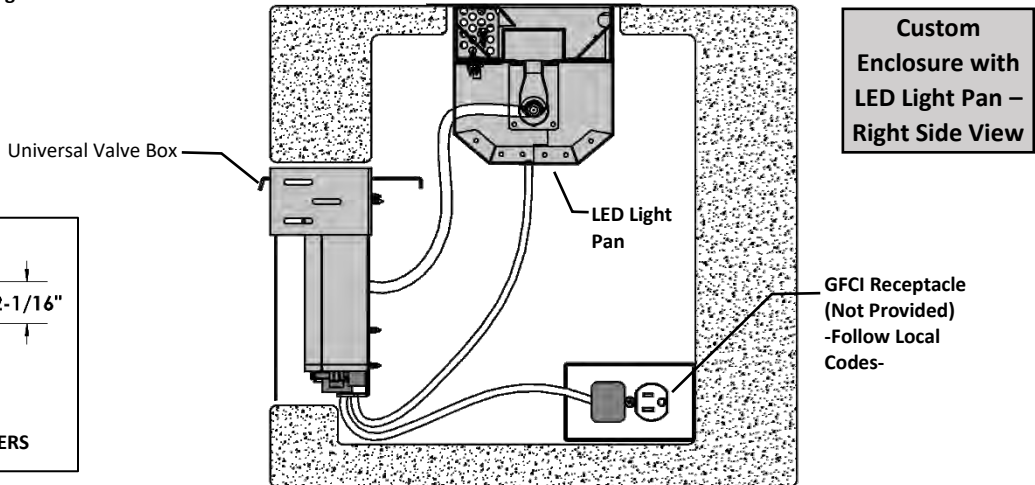
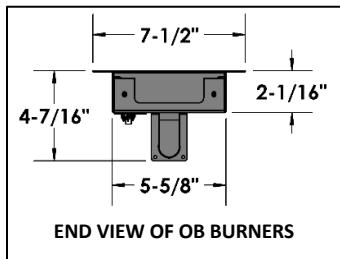
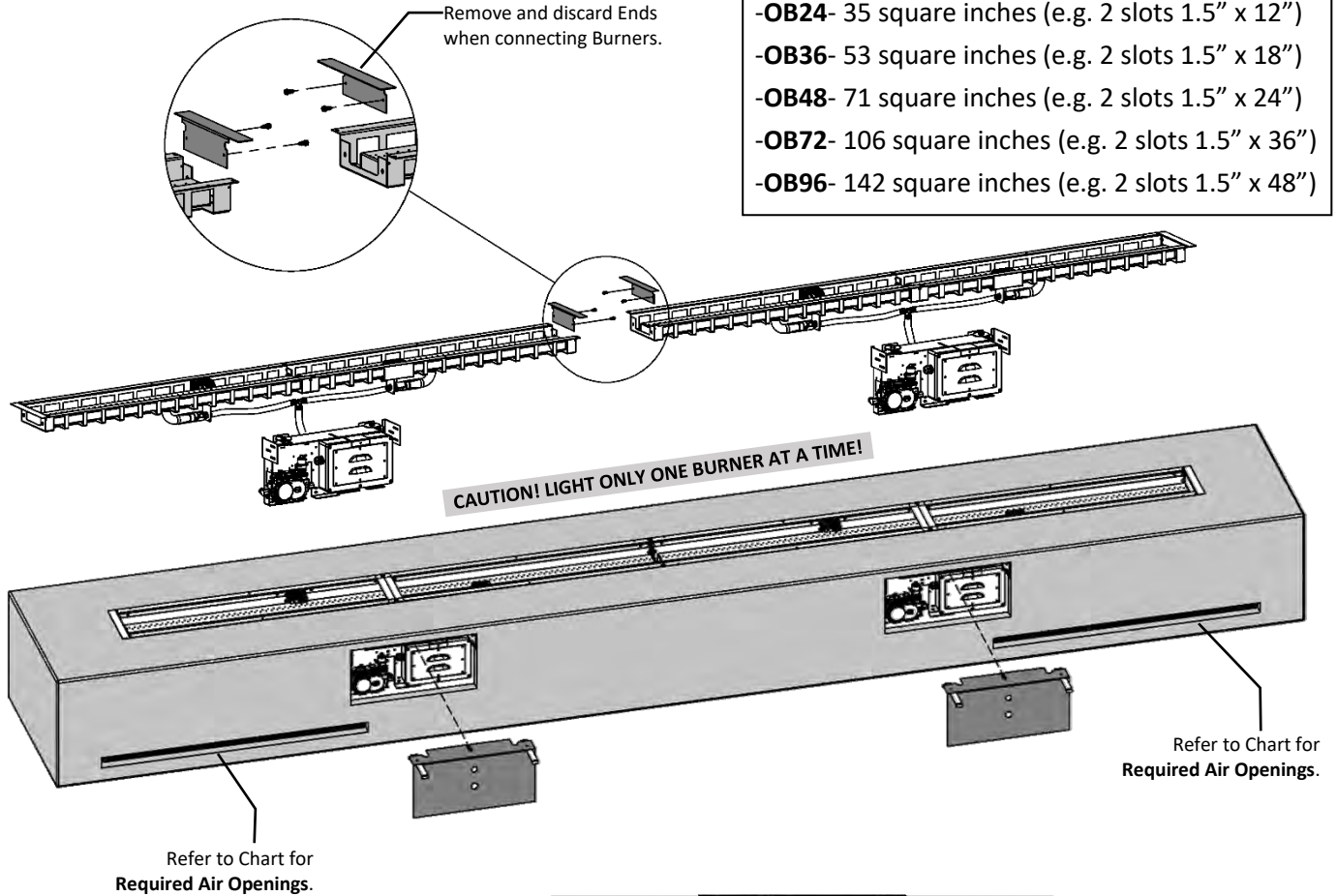
-**OB24**- 35 square inches (e.g. 2 slots 1.5" x 12")

-**OB36**- 53 square inches (e.g. 2 slots 1.5" x 18")

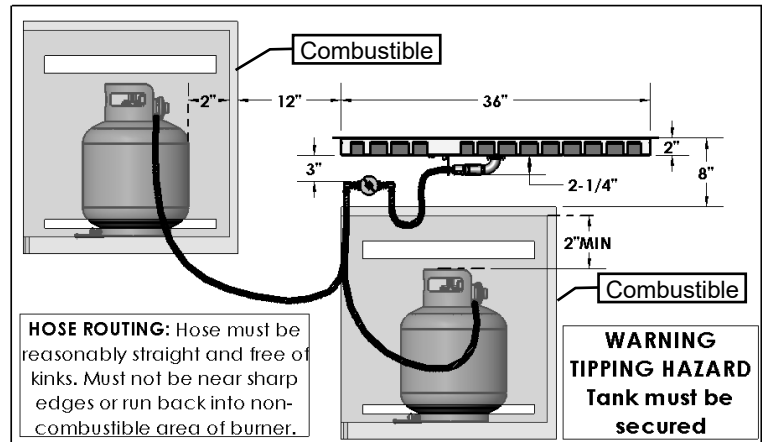
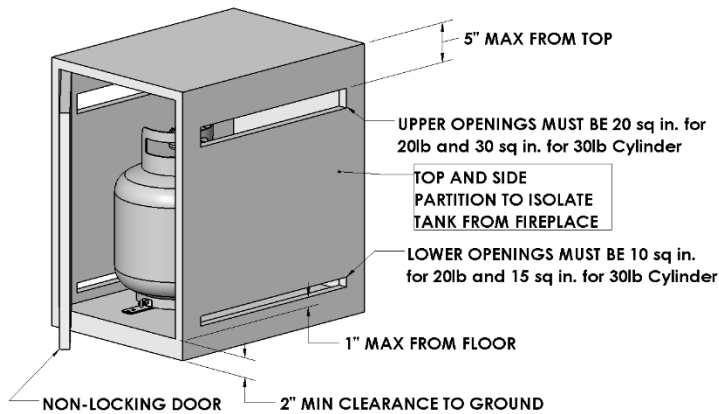
-**OB48**- 71 square inches (e.g. 2 slots 1.5" x 24")

-**OB72**- 106 square inches (e.g. 2 slots 1.5" x 36")

-**OB96**- 142 square inches (e.g. 2 slots 1.5" x 48")



Enclosures for LP (Propane) Gas Supply Systems



If you build an enclosure for an LP gas cylinder you must follow these specifications. You must also follow local codes.

An enclosure for an LP-gas cylinder shall be ventilated by openings at both the upper and lower levels of the enclosure. This shall be accompanied by one of the following:

- a. One side of the enclosure shall be completely open; or
- b. For an enclosure having four sides, a top, and a bottom:
 1. At least two ventilation openings shall be provided in the sidewalls of the enclosure, located within 5 in (217 mm) of the top of the enclosure, equally sized, spaced at a minimum of 90 degrees (1.57 rad), and unobstructed. The opening(s) shall have a total free area of not less than 1 square inch per pound (14.2 cm²/kg) of stored fuel capacity.
 2. Ventilation opening(s) shall be provided at floor level of the enclosure and shall have a total free area of not less than 1/2 square inches per pound (7.1 cm²/kg) of stored fuel capacity. If ventilation openings at floor level are in a sidewall, there shall be at least two openings. The bottom of the openings shall be 1 in (25.4 mm) or less from the floor level and the upper edge no more than 5 in (127 mm) above the floor level. The openings shall be equally sized, spaced at a minimum of 90 degrees (1.57 rad), and unobstructed.
 3. Every opening shall have minimum dimensions so as to permit the entrance of a 1/8 in (3.2 mm) diameter rod.
 4. Ventilation openings in sidewalls shall not communicate directly with other enclosures of the appliance.

The cylinder valve shall be readily accessible for hand operation. A door on the enclosure to gain access to the cylinder valves is acceptable, provided it is non-locking and can be opened without the use of tools. Designs using a cover to gain access to the cylinder and cylinder valve shall be provided with handles or equivalent at a minimum of 180 degrees apart to facilitate lifting of the cover.

The enclosure for the LP-gas cylinder shall isolate the cylinder from the burner compartment to provide:

- a. Shielding from radiation;

- b. A flame barrier; and
- c. Protection from foreign material.

There shall be a minimum clearance of 2 in (50.8 mm) between the floor of the non-disposable LP-gas cylinder enclosure and the ground.

The design of the fireplace shall be such that:

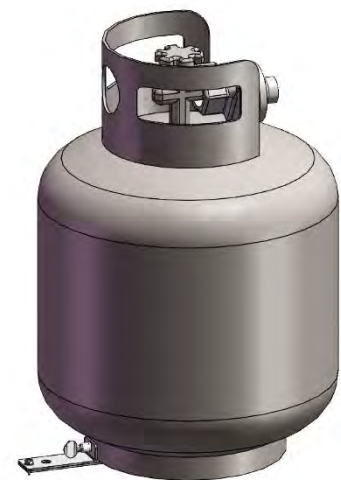
- a. A non-disposable LP-gas cylinder can be connected, disconnected, and the connections inspected and tested outside the cylinder enclosure; and
- b. Those connections which could be disturbed when installing the cylinder in the enclosure can be leak tested inside the enclosure.

Be certain to mount or set the LP-gas cylinder on a flat stable surface and retain it to prevent it from tipping. Purge the gas supply line of any trapped air prior to the first firing of the unit.

WARNING: During the initial purging and subsequent lightings, NEVER allow gas valve to remain in "OPEN" position without first placing a burning match on the top of the burner.

Test fire the unit after referring to the SAFETY INFORMATION and LIGHTING INSTRUCTIONS.

If LP-Gas outdoor fire pits are used continuously after a couple of hours, you could see the possibility of the flame decreasing in size. If this happens, turn off the control valve and the tank valve and wait a couple of hours before lighting again or switch propane tanks. The propane tank is freezing up due to the volume of gas being taken out of the tank.



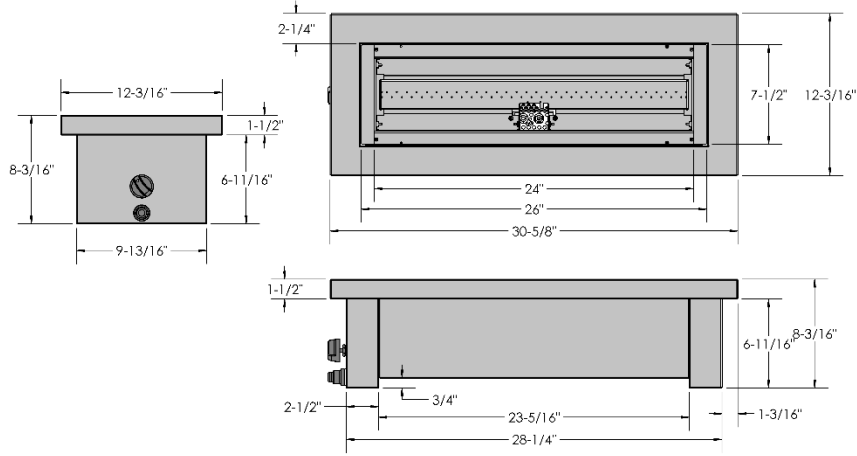
LP cylinder with retention device attached.

Fire Stands – Approved Accessory

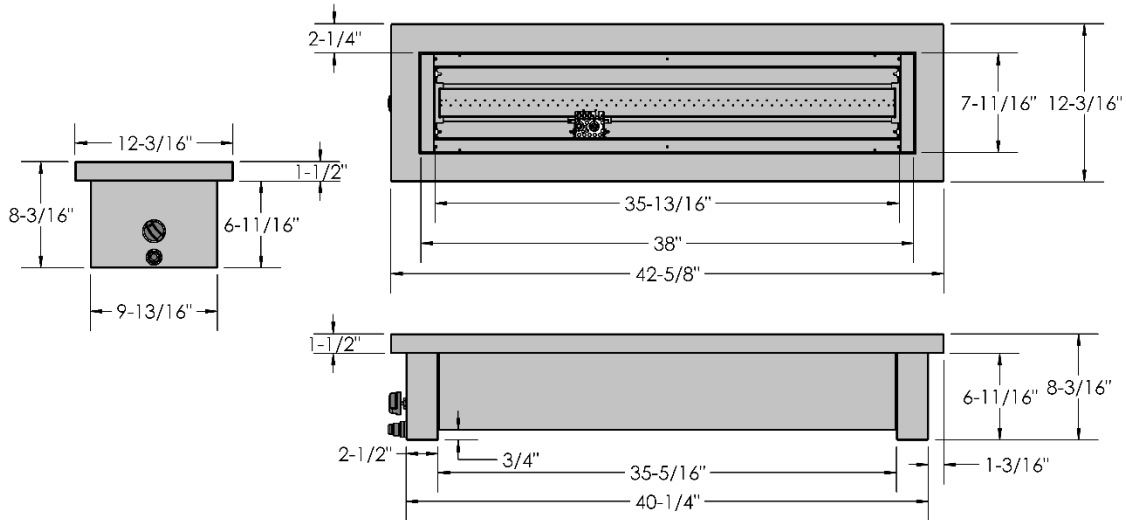
OFS Series Dimensions (Outdoor Fire Stand)

NOTE: OFS24 / 36 / 48 can be placed into a non-combustible custom enclosure provided air openings are provided as specified in *Locating Your Appliance – Minimum Clearances to Combustibles- Burners / Fire Stands / Tables* section, and Valve and Igniter must be accessible.

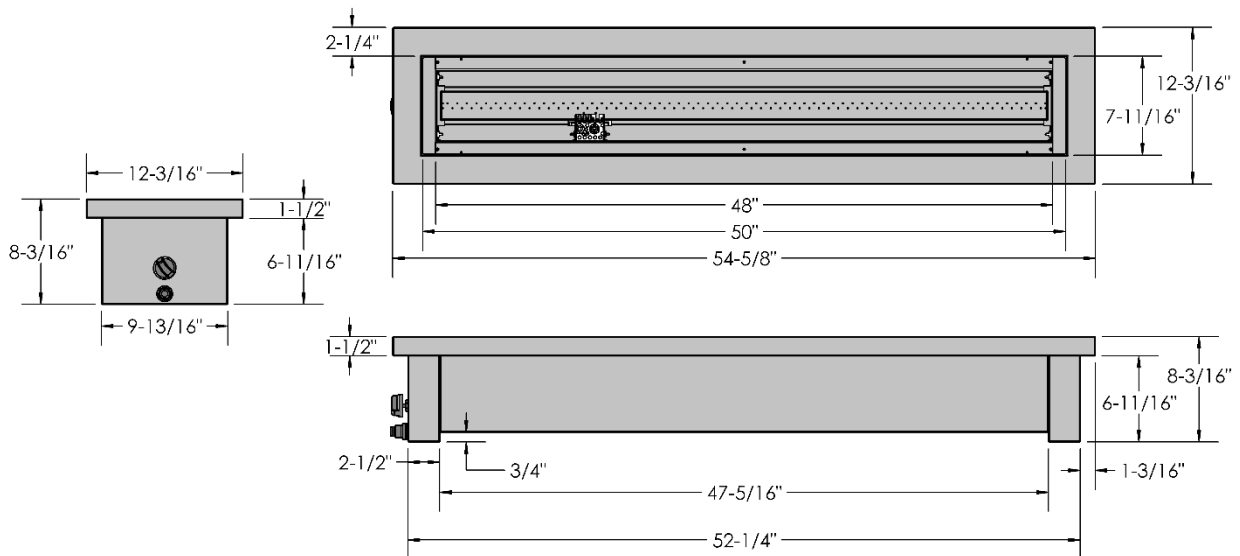
OFS24MAPT / OFS24MANT



OFS36MAPT / OFS36MANT



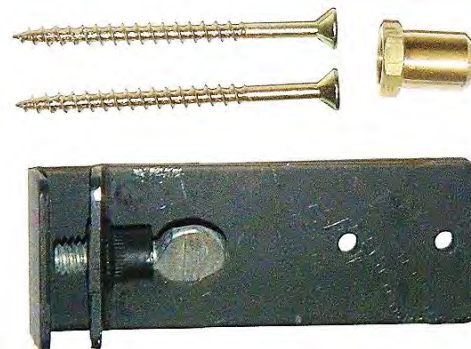
OFS48MAPT / OFS48MANT



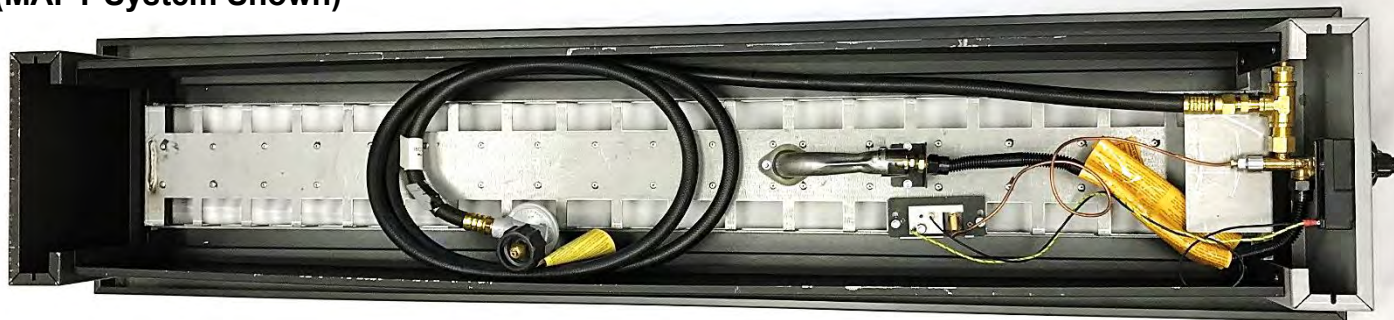
OFS Outdoor Fire Stands – Unpacking and Setup

Parts List: OFS24 / OFS36 / OFS48 – MAPT/MANT

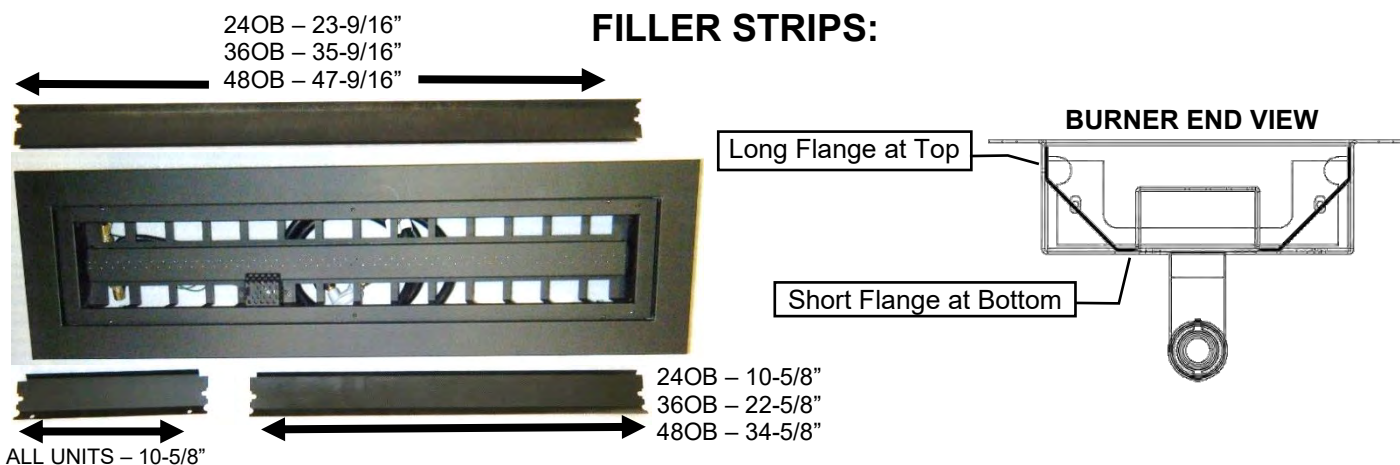
- [1] OFS Outdoor Fire Stand c/w Burner, Valve System and 10ft LP Hose & Regulator (Installed)
- [3ea] Filler Strips
- [1] Push Button Igniter (AAA Battery not included) c/w Wire and Sparker (Installed)
- [1] Brass Orifice for NG Gas Conversion
- [1] Tank Retainer, [2ea] Wood Screws



OFS Bottom View (MAPT System Shown)



FILLER STRIPS:

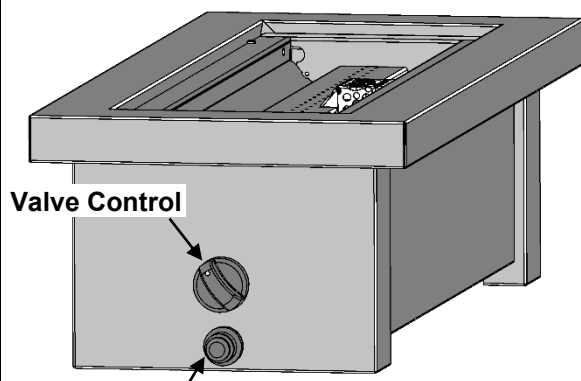


OFS24 Shown – Ready for Media Placement.



See Media Section of Manual for Options.

END VIEW – Outdoor Fire Stand



Glass Media for Outdoor Burners

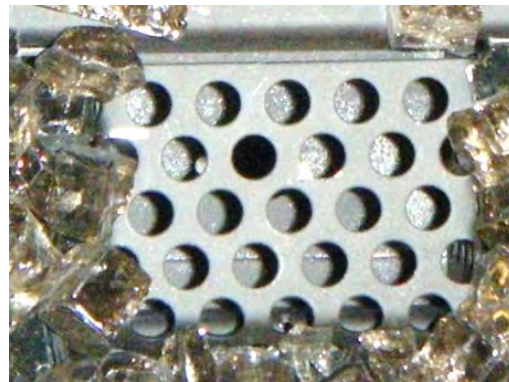
Choose Glass Media - 5 lbs. per Foot of Burner (i.e.: 24" burner = 10lbs)

Product Number	Description
MQG5ZG	Glass Media - ZIRCON Glacier Ice - 5 lbs. NOTE: For OB36 use 4 bags (20 lbs.) For OB48 use 5 bags (25 lbs.) For OB72 use 8 bags (40 lbs.) For OB96 use 10 bags (50 lbs.)
MQG5A	Glass Media - 1/2" Cobalt Blue - 5 lbs.
MQG5B	Glass Media - 1/2" Black - 5 lbs.
MQG5C	Glass Media - 1/2" Bronze - 5 lbs.
MQG5W	Glass Media - 1/2" White - 5lbs.

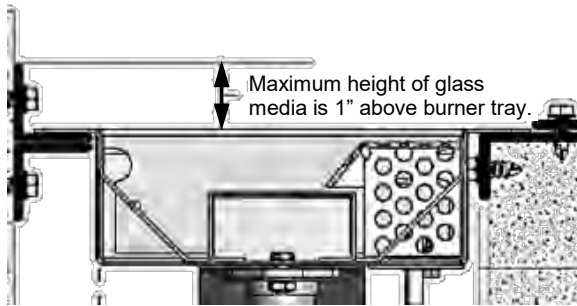
Use of any other glass can alter the performance of the unit and is not covered under warranty.
 Discoloration of glass media may occur if placed on the burner, this is not covered under warranty.

Spread glass evenly in burner tray.

Pilot Shield must not be covered, as a delayed ignition can occur (See photo below).



Pilot Area Must Not Be Covered.



SIDE VIEW



Optional Media Accessories

MQRBD3 – Driftwood Log Set – 5 piece



Place Logs Randomly as shown. Do not cover Pilot.

MQRBD4 – Driftwood Log Set – 3 piece



Place Logs Randomly as shown. Do not cover Pilot.

MQROCK2 – Rock Set, Contemporary Collection – Natural

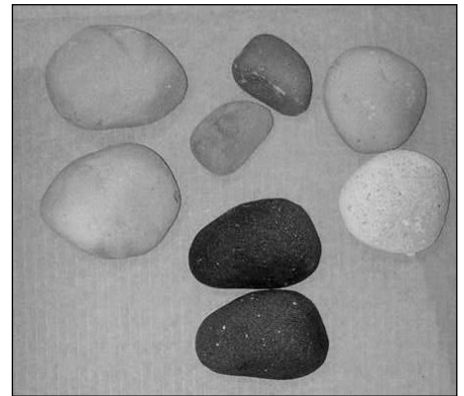
MQROCK3 – Rock Set, Contemporary Collection – Multi-Colored

MQSTONE – Decorative Stones – 80 Piece Set

MQSTONE10 – Decorative Stones – 10 Piece Set

Place Rocks and Stones randomly. Do not cover Pilot.

Not all Rocks or Stones will be used on all models.



RBCB1 – Canonballs – Assorted Size and colors- 14 pieces



Place Canonballs randomly. Do not cover Pilot. Not all Canonballs will be used on all models.

 NOTE

- Pilot Area Must Not Be Covered, as delayed ignition can occur.
- Be Careful Not To Cover Any Part Of The Burner Tube As Canonballs may become discolored or sooting may occur.

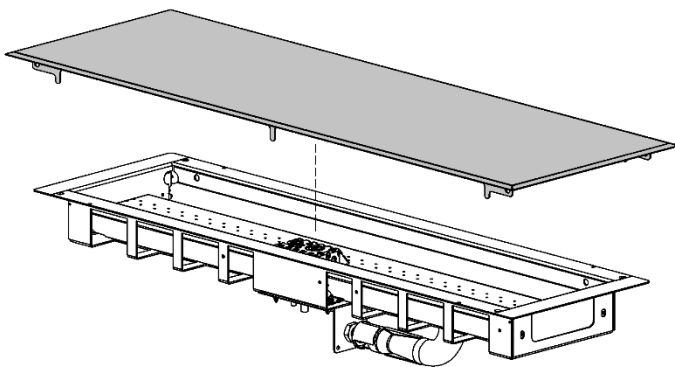
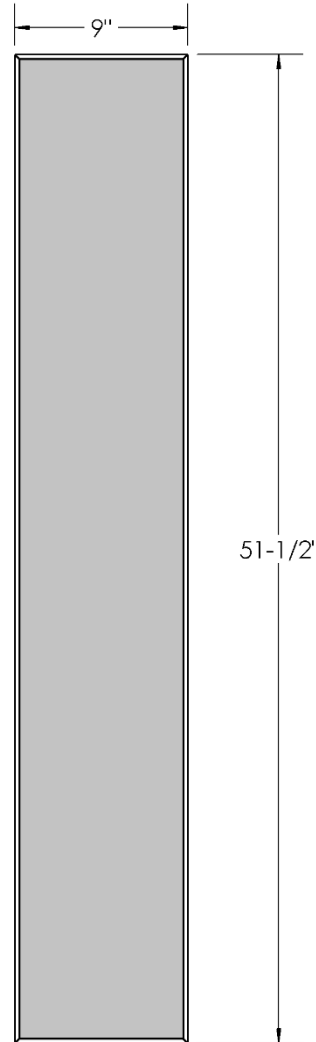
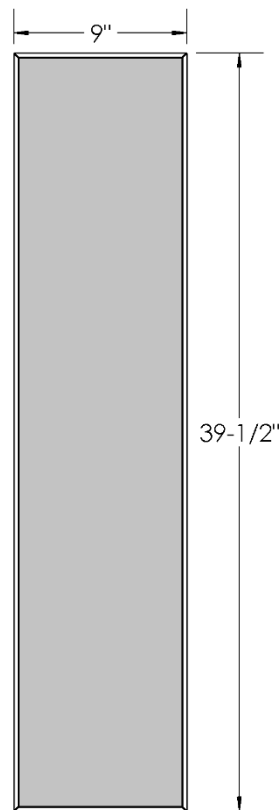
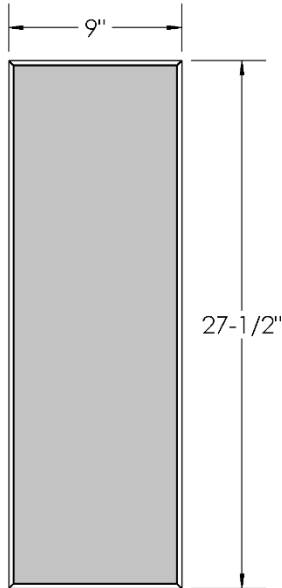
Burner Lids for OB Burners - Optional

Parts List:
[1] Burner Lid

24LT-LID – OB24 Burners

36LT-LID – OB36 Burners

48LT-LID – OB48 Burners



- WARNING -

PILOT KNOB MUST BE TURNED TO THE "OFF" POSITION BEFORE INSTALLING BURNER LID. SERIOUS DAMAGE CAN BE CAUSED TO THE APPLIANCE AND PROPERTY IF PILOT IS LEFT ON AND THE MAIN BURNER IS TURNED ON WHEN BURNER LID IS INSTALLED. ANY DAMAGE CAUSED AS A RESULT OF THE PILOT OR MAIN BURNER BEING LEFT ON WHEN A BURNER LID IS INSTALLED WILL NOT BE COVERED UNDER WARRANTY.

Wind Guards

Fire Tables / Custom Applications

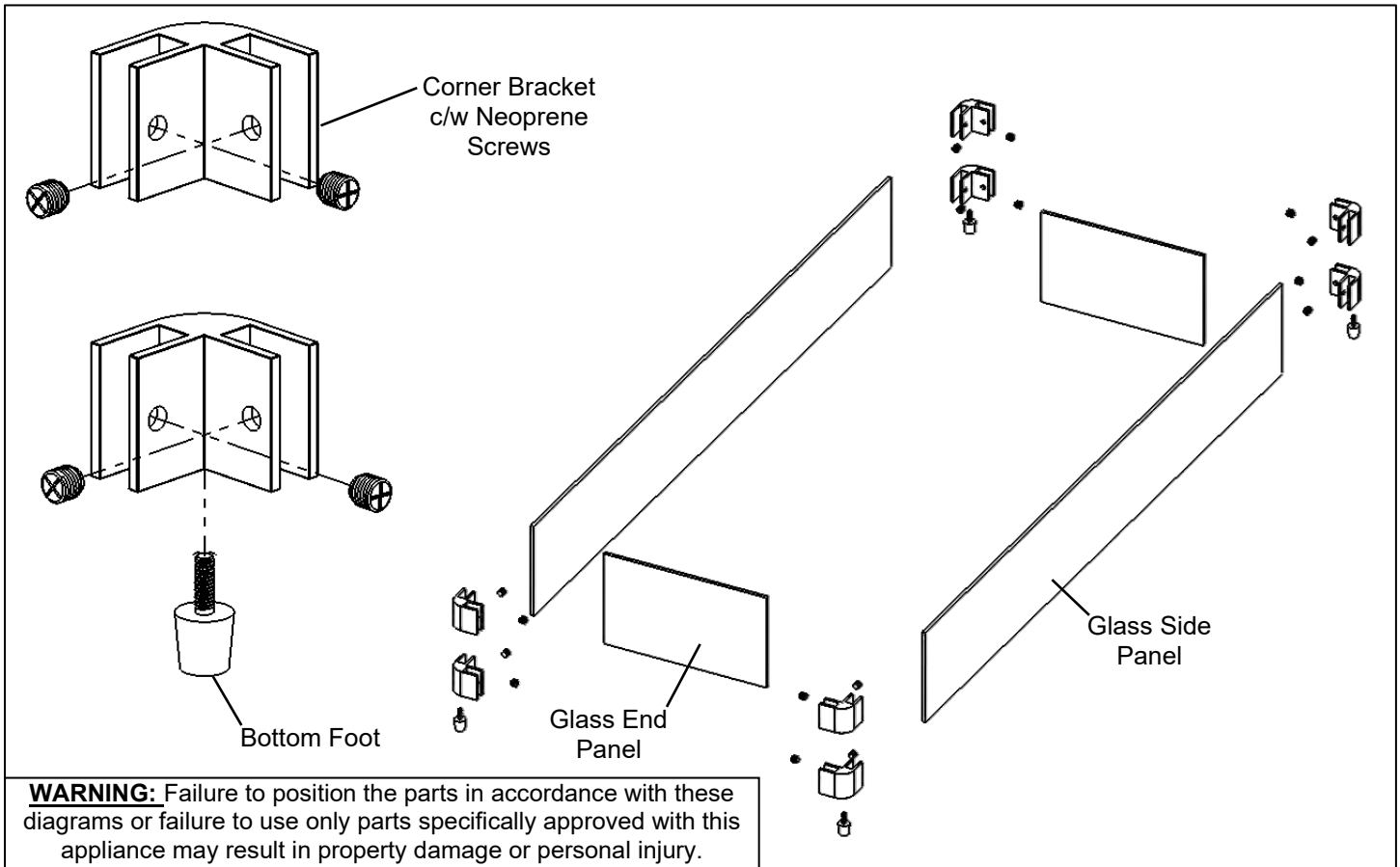
A Wind Guard is **Required** for Outdoor Fire Tables, and recommended for Outdoor Burners.

Parts List: [4] Bottom Feet, [8] Corner Brackets c/w neoprene tipped screws, [2] Glass End Panels, [2] Glass Side Panels

O24WG – 24" Wind Guard
O36WG – 36" Wind Guard

O48WG – 48" Wind Guard

O72WG – 72" Wind Guard
O96WG - 96" Wind Guard

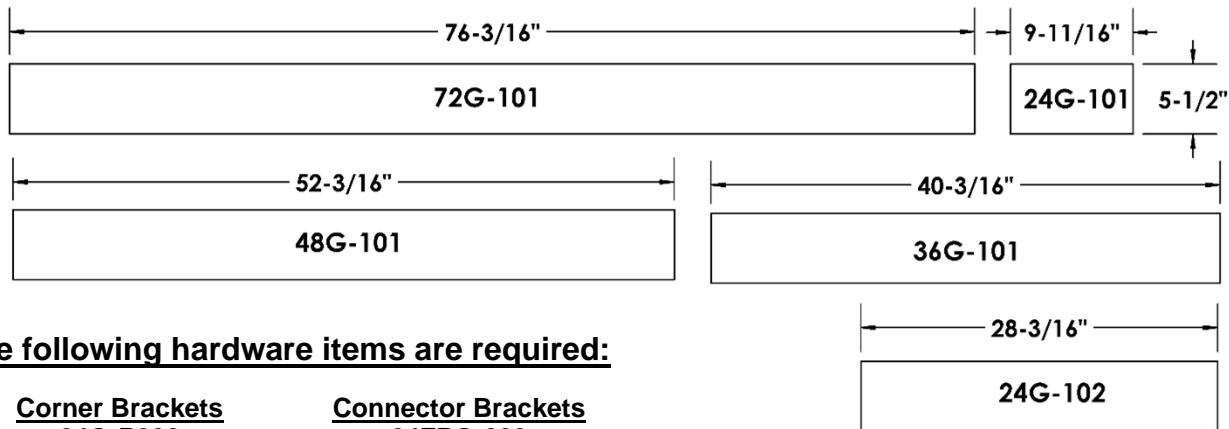


Wind can greatly affect flame performance. If used in windy conditions a wind guard is recommended.

NOTE: Painted finishes damaged or discolored by heat are not covered under warranty.

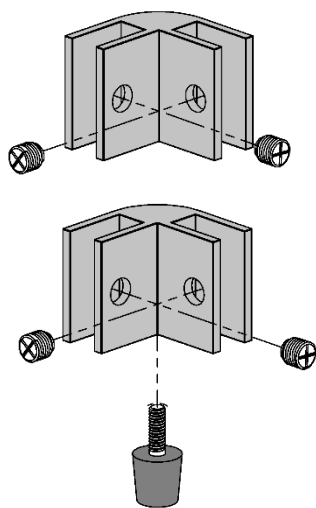
Wind Guards - Custom Sizes

Custom lengths of wind guards can be ordered and assembled based on combinations of glass panels available:

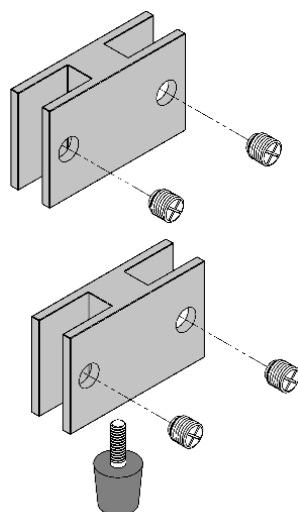


The following hardware items are required:

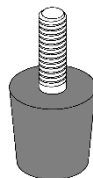
Corner Brackets
24G-P202
(4 required)



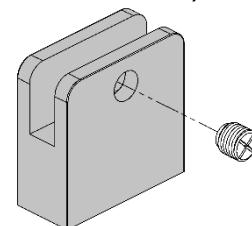
Connector Brackets
24FPG-203
(4 required for each added section)



Bottom Button
24G-P205
(1 required for each corner and bottom Connector Bracket)



Bottom Supports
72G-P202
(1 required for each length of 72G-101 Glass)

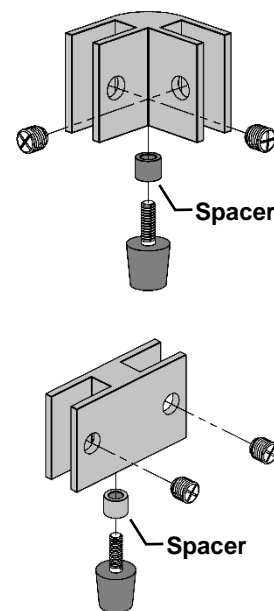
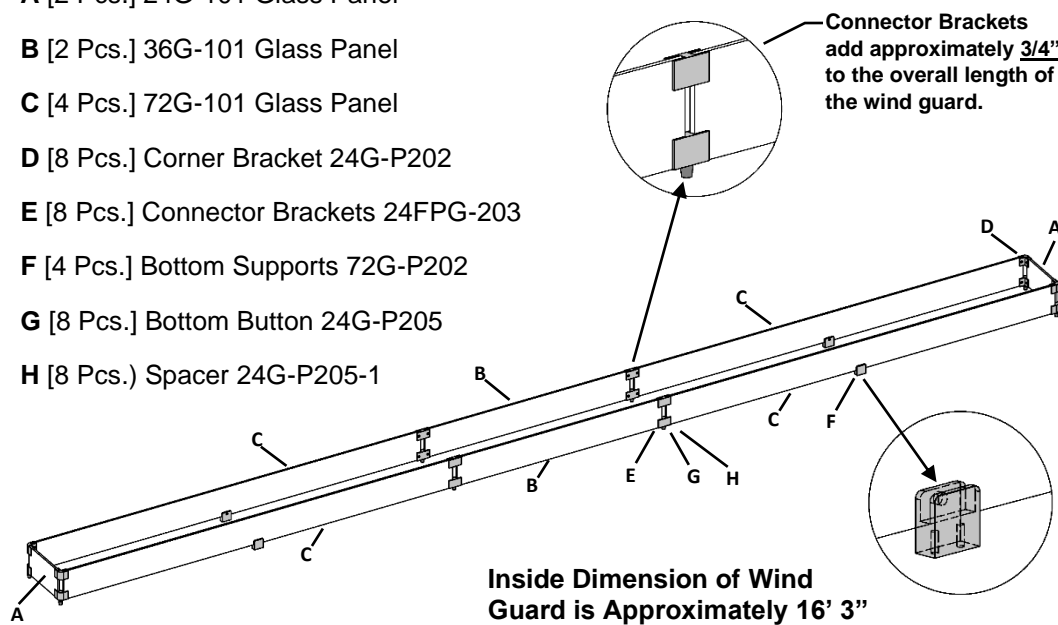


Spacer
24G-P205-1
(1 required for each corner and bottom Connector Brackets when Bottom Supports 72G-P202 are used)



Example: For a 16-foot custom burner, the following components are required:

- A [2 Pcs.] 24G-101 Glass Panel
- B [2 Pcs.] 36G-101 Glass Panel
- C [4 Pcs.] 72G-101 Glass Panel
- D [8 Pcs.] Corner Bracket 24G-P202
- E [8 Pcs.] Connector Brackets 24FPG-203
- F [4 Pcs.] Bottom Supports 72G-P202
- G [8 Pcs.] Bottom Button 24G-P205
- H [8 Pcs.] Spacer 24G-P205-1



Burner System Maintenance

It is recommended to annually inspect and clean the Burner System to prevent malfunction and / or sooting. This operation should be performed by your dealer or a qualified technician.

-CAUTION-

Before servicing the burner system ensure that the gas supply is turned OFF and disconnect all electrical connections to the appliance. Allow the appliance to cool to room temperature. Note that the pilot assembly may be hot in an intermittent or standing-pilot system—even if the main burner was never on. Exercise caution when working within the area.

-ALL WORK SHOULD BE PERFORMED BY A QUALIFIED AND CERTIFIED TECHNICIAN-

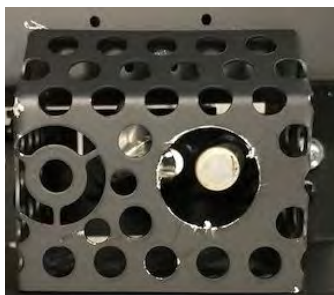
This appliance is not intended for use in temperatures below freezing.

Monthly Flame Inspection

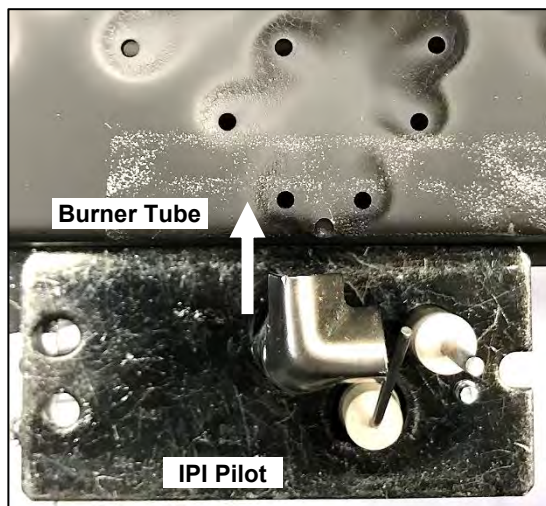
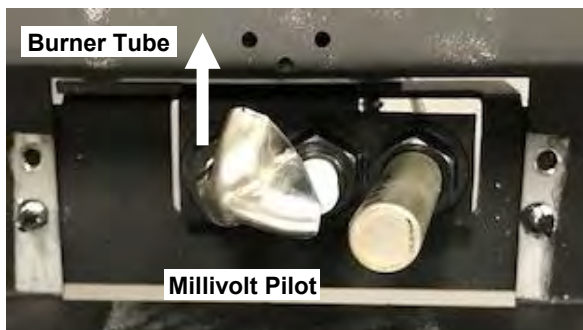


It is recommended to turn on the unit at least once a month and inspect the flame pattern to ensure there are no problems with the burner tube (Flame should appear similar to the above picture).

Pilot Shield should be visually inspected monthly to ensure proper operation and for signs of deterioration due to flame exposure. Replace if necessary.



Pilot Must Maintain This Relationship with Burner. Pilot Area Must Not Be Covered with Media i.e., Glass.



The appliance should be inspected before initial use and inspected and cleaned at least annually by a qualified field service person.

Tampering is DANGEROUS and voids all warranties. Any component that is found to be faulty, must be replaced with an approved component.

If the burner is damaged it must be replaced with an approved burner. Refer to parts list at the back of this manual.

To obtain proper operation, it is imperative that the burner flame characteristics are steady, not lifting or floating. Check the burner flame patterns with **Burner System Maintenance** Section.

Periodically remove media and examine the burner. If dirty, clean with a soft brush. Also examine the area around the burner air shutter. Any dirt or lint in this area should be removed. This will ensure long life and trouble free operation. Replace media (rocks, logs, glass, etc.) as shown in manual. When the appliance is put back in service, check the burner flame patterns with **Burner System Maintenance** Section.

Periodically check the hose connecting the LP-gas cylinder to ensure it is not damaged in any way.

FOR SAFE INSTALLATION AND OPERATION NOTE THE FOLLOWING:

The Burner/Log Assembly has been engineered and permanently adjusted for proper flame control.

Label all wires prior to disconnection when servicing controls. Wiring errors can cause improper and dangerous operation. Verify proper operation after servicing.

Cylinders must be stored outdoors in a well ventilated area out of the reach of children. Disconnected cylinders must have threaded valve plugs tightly installed and must not be stored in a building, garage or any other enclosed area.

Storage of this appliance indoors is permissible only if it has been disconnected from its fuel supply (natural gas line or LP gas cylinder).

The LP gas cylinder supply system must be arranged for vapor withdraws.

The LP gas cylinder used must include a collar to protect the cylinder valve.

When an LP model is not in use, the LP gas must be turned off at the supply cylinder.

The appliance and its individual shut off valve must be disconnected from the gas supply piping system during any pressure testing of the system at test pressures in excess of ½ psi (3.5 kPa).

The appliance must be isolated from the gas supply piping system by closing its individual manual shutoff valve during any pressure testing of the gas supply piping system at test pressures equal to or less than ½ psi (3.5 kPa).

CLEANING

It is recommended to annually inspect and clean the unit to prevent malfunction and / or sooting. This operation should be performed by your dealer or a qualified technician.

Carefully remove media (log set, Rocks, Glass, etc.). Gloves are recommended.

Warning: Turn off Unit and allow to cool before cleaning. Only a qualified service technician should service and repair appliance.

- Do not use cleaning fluids to clean logs.
- Use a soft bristle brush or a vacuum with brush attachment.
- Vacuum loose particles and dust from burner and valve
- Inspect Burner Plate, Pilot, Valve, and Mixing Sleeve for spider webs or other blockages.
- If the burner or any other component is found to be faulty, it must be replaced prior to operation of the appliance with an approved component. **Replacement burner must be as specified in the manual.**
- Replace media. Refer to the appropriate page in this manual for proper placement of contents, such as logs.

Safety Information and Manual Lighting Instructions

FOR YOUR SAFETY READ BEFORE LIGHTING

⚠WARNING: If you do not follow these instructions exactly, a fire or explosion may result causing property damage, personal injury or loss of life.

- A. This appliance must be lit by hand. When lighting, follow these instructions exactly.
- B. Before LIGHTING, smell all around the appliance area for gas. Be sure to smell next to the floor, because some gas is heavier than air and will settle on the floor.
- C. Use only your hand to turn the gas control knob or valve. Never use tools. If the valve will not turn by hand, don't try to repair it, call a qualified service technician. Force or attempted repair may result in a fire or explosion.
- D. Do not use this appliance if any part has been underwater. Immediately call a qualified service technician to inspect the appliance, and to replace any part which has been underwater.

WHAT TO DO IF YOU SMELL GAS

- Do not try to light any appliance.
- Do not touch any electric switch; do not use any phone in your building.
- Immediately call your gas supplier from a neighbor's phone. Follow the gas supplier's instructions.
- If you cannot reach your gas supplier, call the fire department.

Manual Valve with Push Button Ignition

1. STOP! Read the safety information above.
2. Remove the top cover.
3. Find the manual gas control valve and push button igniter.
4. Turn ON gas supply.
5. Push and hold the button on the igniter and ensure sparking is occurring at the probes inside the burner tray.
6. Push in and turn the valve knob ON .
7. Gas should ignite within 10 seconds or less. If the burner does not light turn the gas to off.
8. Wait at least five (5) minutes to clear out any gas. Then smell for gas, including near the floor. If you smell gas, STOP!
9. If you don't smell gas, repeat step 4.

To Turn Off Gas Appliance

1. Turn the on/off valve to the off position at the unit for natural gas unit. For LP unit, turn the on/off valve to the off position at the unit and then turn the valve on the LP tank to the off position clockwise.
2. Replace the top cover.

Millivolt System, Lighting, and Burner Control

FOR YOUR SAFETY READ BEFORE LIGHTING

WARNING: If you do not follow these instructions exactly, a fire or explosion may result causing property damage, personal injury or loss of life.

BEFORE LIGHTING

- | | |
|--|--|
| <p>A This appliance has a pilot which must be lighted by hand. When lighting the pilot, follow these instructions exactly.</p> <p>B Smell all around the appliance area for gas. Be sure to smell next to the floor because some gas is heavier than air and will settle on the floor.</p> <p>WHAT TO DO IF YOU SMELL GAS</p> <ul style="list-style-type: none"> Do not try to light an appliance. Do not touch any electrical switch; do not use any phone in your building. | <ul style="list-style-type: none"> Immediately call your gas supplier from a neighbour's phone. Follow the gas supplier's instructions. If you cannot reach your gas supplier, call the fire department. <p>C Use only your hand to push or turn the gas control knob. Never use tools. If the knob will not push in or turn by hand, don't try to repair it. Call a qualified technician. Force or attempted repair may result in a fire or explosion.</p> <p>D Do not use the appliance if any part has been under water. Immediately call a qualified service technician to inspect the appliance and to replace any part of the control system which has been under water.</p> |
|--|--|

LIGHTING INSTRUCTIONS

- | | |
|--|--|
| <ol style="list-style-type: none"> Stop! Read the safety information above this label. Remove anything covering the burner (i.e., Burner Lid, Weather Cover). Locate valve under the burner assembly. If the control knob is not already in the off position, i.e. the word "OFF" in the 9 o'clock position, then push in the gas control knob slightly and turn ⤵ clockwise to "OFF". NOTE: Knob cannot be turned from "PILOT" to "OFF" unless knob is pushed in slightly. Do not use force. Wait five [5] minutes to clear out any gas. If you then smell gas. STOP! Follow "B" in the safety information above on this label. If you don't smell gas then go to the next step. Now push in the control knob slightly and turn ⤵ counter-clockwise to the "PILOT" position. Push in the control knob all the way and hold it. With the other hand push in the red igniter button until you hear a click. Now observe closely the pilot burner located on the rear center-left hand side of the main burner. | <p>If a flame has appeared then continue to depress the control knob for 20 seconds. If the flame did not appear then continue to depress the red igniter button every 5 seconds until a flame is established. NOTE: If after 30 seconds a flame has not yet been established then turn the control knob back to the off position and repeat steps 5, 6 & 7.</p> <ol style="list-style-type: none"> Once the pilot has been established hold the control knob in the depressed position for approximately 25 seconds before releasing. If the flame goes out then repeat steps 7 and 8. <ul style="list-style-type: none"> If the knob does not pop up when released, stop and immediately call your service technician or gas supplier. If the pilot will not stay lit after several tries, turn the gas control to "OFF" and call your service technician. Now turn the control knob to the "ON" position. The burner will not light unless the ON/OFF switch is turned "ON". Replace any panels that were removed to access the valve. The pilot must be turned off when the unit is not in use. |
|--|--|

TO TURN OFF THE APPLIANCE

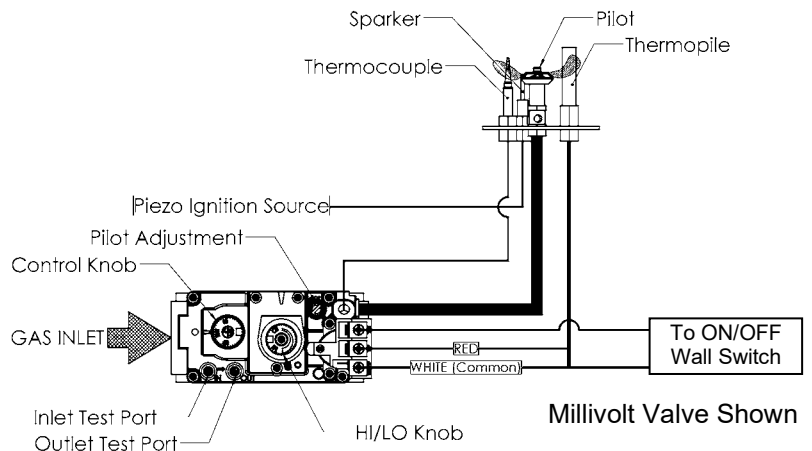
- | | |
|--|---|
| <ol style="list-style-type: none"> Locate valve under the burner assembly. Push in the gas control knob slightly and turn ⤵ clockwise to the "OFF" position. Do not force. | <ol style="list-style-type: none"> Replace any panels that were removed to access the valve. |
|--|---|

NOTE: Only one ON/OFF Switch should be connected to the appliance at any one time.

Recommended Maximum Lead Length (Double Wire)
When Using Wall Switch:

Wire Size	Max. Length
14ga	100ft [30.4m]
16ga	64ft [19.5m]
18ga	40ft [12.1m]
20ga	25ft [7.6m]
22ga	15ft [4.5m]

CAUTION: DO NOT WIRE 120V POWER TO MILLIVOLT SWITCHES.

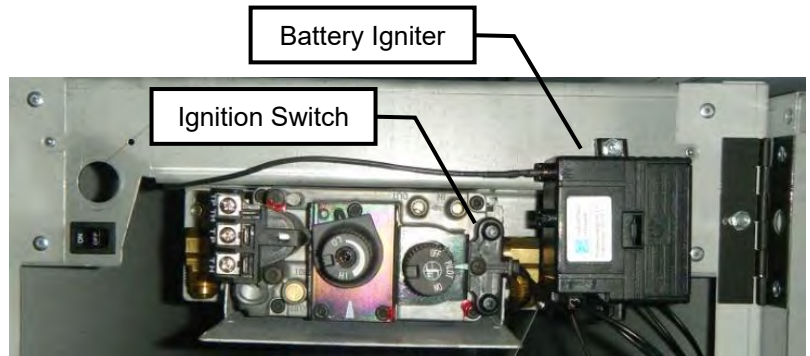
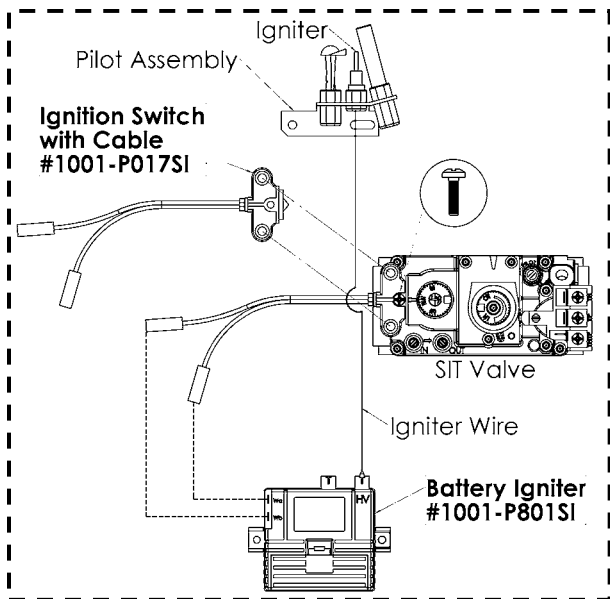


Optional Electronic Spark Assist

MVN / MVP Valve Systems

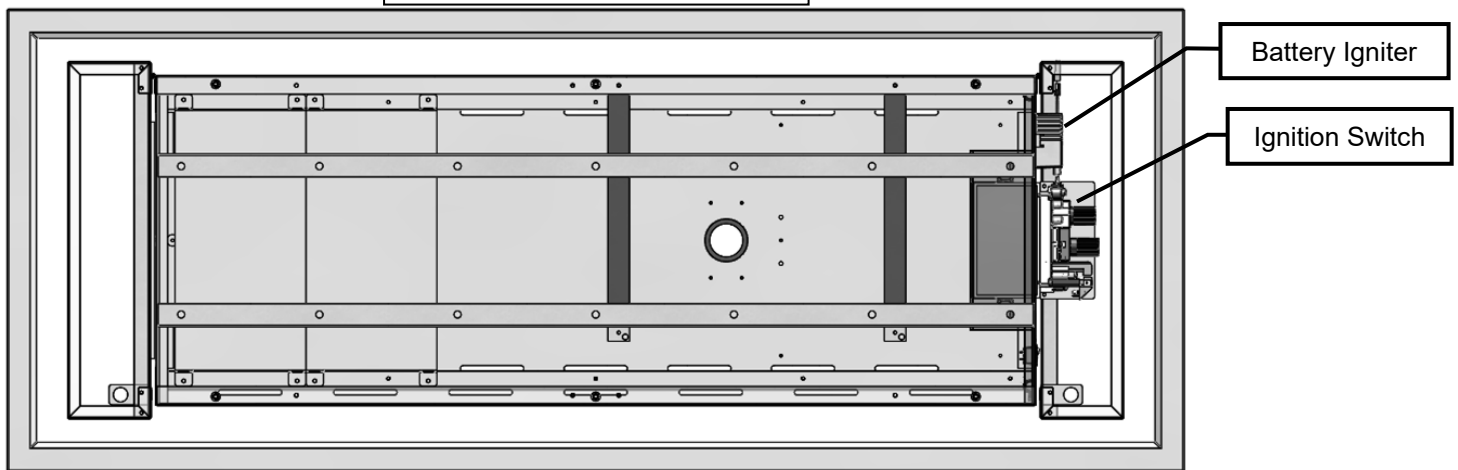
(Part Number OFP42SA)

A Battery powered module is available to assist in lighting the pilot burner. See below for installation.

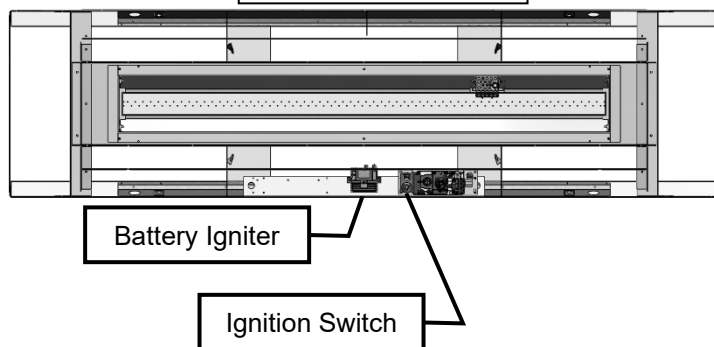


OLTG / OLTB

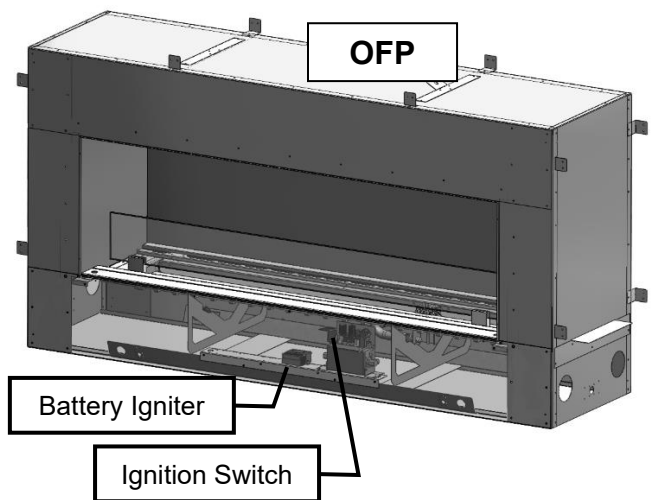
OLTG / OLTB – Top View



OFP – Top View



OFP



- Lighting Instructions - Intermittent Pilot Ignition System (IPI)

FOR YOUR SAFETY READ BEFORE LIGHTING

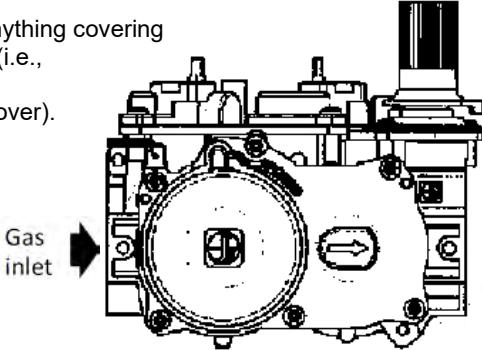
WARNING: If you do not follow these instructions exactly, a fire or explosion may result causing property damage, personal injury or loss of life.

Always light the pilot, whether for the first time or if the gas supply has run out.

BEFORE LIGHTING:

- A. This appliance is equipped with an ignition device which automatically lights the pilot. Do not try to light the pilot by hand.
 - B. **BEFORE OPERATING** smell around the appliance area for gas. Be sure to smell next to the floor because some gas is heavier than air and will settle on the floor.
- WHAT TO DO IF YOU SMELL GAS
- Do not try to light any appliance.
 - Do not touch any electric switch; do not use any phone in your building.
 - Immediately call your gas supplier from a neighbor's phone. Follow the gas supplier's instructions.
- C. If you cannot reach your gas supplier, call the fire department.
 - D. Do not use this appliance if any part has been under water. Immediately call a qualified service technician to inspect the appliance and replace any part of the control system and any gas control which has been under water.
 - D. If the gas valve requires repair, call a qualified service technician. Force or attempted repair may result in a fire or explosion.

OPERATING INSTRUCTIONS

1. Stop! Read the safety information above on this label.
 2. Remove batteries from receiver, and/or Battery Backup Pack.
 3. Turn off all electric power to the appliance.
 4. This appliance is equipped with an ignition device which automatically lights the pilot. Do not try to light the pilot by hand.
 5. Remove anything covering the burner (i.e., Burner Lid, Weather Cover).
- 
6. Turn manual shutoff valve clockwise ↻ to off (Located behind the access panel).
 7. Wait five (5) minutes to clear out any gas. Then smell for gas, including near the floor. If you smell gas, STOP! Follow "B" in the safety information above this label. If you do not smell gas, go to next step.
 8. Turn manual shutoff valve counter-clockwise ↻ to on.
 9. Turn on all electric power to the fireplace and re-install batteries into the Transmitter/Receiver, and/or Battery Backup Pack.
 10. Turn "On" Switch that operates the Main Burner. If using a Remote Control refer to Remote Control Operation Manual for activation.
 11. If the appliance will not operate, follow the instructions "To Turn Off Gas To Appliance" and call your service technician or gas supplier.

TO TURN OFF GAS TO APPLIANCE

1. Turn off all electric power to the fireplace if service is to be performed, including removing batteries from Remote Transmitter/Receiver and/or Battery Backup Pack.
2. Remove control access panel.
3. Turn manual shutoff valve clockwise ↻ to off (Located behind the access panel).
If alternate shut-off valve was installed it can be shut off instead of going through the fireplace to access the fireplace shutoff valve.
4. Replace control access panel.

- Gas Specifications -

Manual Valve Systems

Models	Fuel	Gas Control	Max / Min (Btu/Hr)	Orifice Size (0-4500ft)	Air Shutter Opening	Gas Inlet Size	Gas Supply Pressure (Inches w.c.)	Manifold Pressure Low	Manifold Pressure High
OB24MANT	Natural Gas	Manual (Thermocoupled)	13,000Lo 41,000Hi	#32	1/16" Open	3/8" NPT	7" Min 7" Max	N/A	N/A
OB24MAPT	Propane	Manual (Thermocoupled)	21,000Lo 41,000Hi	#47	Fully Open	3/8" NPT	10" Min 10" Max	N/A	N/A
OB36MANT	Natural Gas	Manual (Thermocoupled)	13,000Lo 58,500Hi	#15	1/16" Open	3/8" NPT	7" Min 7" Max	N/A	N/A
OB36MAPT	Propane	Manual (Thermocoupled)	22,000Lo 60,000Hi	#40	Fully Open	3/8" NPT	10" Min 10" Max	N/A	N/A
OB48MANT	Natural Gas	Manual (Thermocoupled)	13,000Lo 58,000Hi	#15	1/16" Open	3/8" NPT	7" Min 7" Max	N/A	N/A
OB48MAPT	Propane	Manual (Thermocoupled)	22,500Lo 60,500Hi	#40	Fully Open	3/8" NPT	10" Min 10" Max	N/A	N/A

Millivolt Valve Systems

Models	Fuel	Gas Control	Max / Min (Btu)	Orifice Size (0-4500ft)	Air Shutter Opening	Gas Inlet Size	Gas Supply Pressure (Inches w.c.)	Manifold Pressure Low	Manifold Pressure High
OB24MVN	Natural Gas	Millivolt Adjustable	27,500Lo 40,000Hi	#31	1/16" Open	S.I.T. Nova 3/8"NPT	5.5" Min 7" Normal 10" Max	1.6" w.c. [0.40KPa]	3.5" w.c. [0.87KPa]
OB24MVP	Propane	Millivolt Adjustable	31,500Lo 40,000Hi	#49	Fully Open	S.I.T. Nova 3/8"NPT	11" Min 11" Normal 13" Max	6.3" w.c. [1.57KPa]	10" w.c. [2.61KPa]
OB36MVN	Natural Gas	Millivolt Adjustable	39,000Lo 60,000Hi	#25	1/16" Open	S.I.T. Nova 3/8"NPT	5.5" Min 7" Normal 10" Max	1.6" w.c. [0.40KPa]	3.5" w.c. [0.87KPa]
OB36MVP	Propane	Millivolt Adjustable	48,000Lo 60,000Hi	#43	Fully Open	S.I.T. Nova 3/8"NPT	11" Min 11" Normal 13" Max	6.3" w.c. [1.57KPa]	10" w.c. [2.61KPa]
OB48MVN	Natural Gas	Millivolt Adjustable	54,000Lo 80,000Hi	#14	1/16" Open	S.I.T. Nova 3/8"NPT	5.5" Min 7" Normal 10" Max	1.6" w.c. [0.40KPa]	3.5" w.c. [0.87KPa]
OB48MVP	Propane	Millivolt Adjustable	61,000Lo 80,000Hi	#37	Fully Open	S.I.T. Nova 3/8"NPT	11" Min 11" Normal 13" Max	6.3" w.c. [1.57KPa]	10" w.c. [2.61KPa]
OB72MVN	Natural Gas	Millivolt Adjustable	83,000Lo 120,000Hi	#19 [2ea]	1/16" Open	S.I.T. Nova 1/2"NPT	5.5" Min 7" Normal 10" Max	1.6" w.c. [0.40KPa]	3.5" w.c. [0.87KPa]
OB72MVP	Propane	Millivolt Adjustable	91,000Lo 115,000Hi	#43[2ea]	Fully Open	S.I.T. Nova 1/2"NPT	11" Min 11" Normal 13" Max	6.3" w.c. [1.57KPa]	10" w.c. [2.61KPa]
OB96MVN	Natural Gas	Millivolt Adjustable	110,000Lo 156,000Hi	#10[2ea]	1/16" Open	S.I.T. Nova 1/2"NPT	5.5" Min 7" Normal 10" Max	1.6" w.c. [0.40KPa]	3.5" w.c. [0.87KPa]
OB96MVP	Propane	Millivolt Adjustable	125,000Lo 157,000Hi	#37[2ea]	Fully Open	S.I.T. Nova 1/2"NPT	11" Min 11" Normal 13" Max	6.3" w.c. [1.57KPa]	10" w.c. [2.61KPa]

IPI Valve Systems

Models	Fuel	Gas Control	Max / Min (Btu)	Orifice Size (0-4500ft)	Air Shutter Opening	Gas Inlet Size	Gas Supply Pressure (Inches w.c.)	Manifold Pressure Low	Manifold Pressure High
OB24IPN	Natural Gas	IPI Adjustable	27,500Lo 40,000Hi	#31	1/16" Open	S.I.T. Nova 3/8"NPT	5.5" Min 7" Normal 10" Max	1.6" w.c. [0.40KPa]	3.5" w.c. [0.87KPa]
OB24IPP	Propane	IPI Adjustable	31,500Lo 40,000Hi	#49	Fully Open	S.I.T. Nova 3/8"NPT	11" Min 11" Normal 13" Max	6.3" w.c. [1.57KPa]	10" w.c. [2.61KPa]
OB36IPN	Natural Gas	IPI Adjustable	39,000Lo 60,000Hi	#25	1/16" Open	S.I.T. Nova 3/8"NPT	5.5" Min 7" Normal 10" Max	1.6" w.c. [0.40KPa]	3.5" w.c. [0.87KPa]
OB36IPP	Propane	IPI Adjustable	48,000Lo 60,000Hi	#43	Fully Open	S.I.T. Nova 3/8"NPT	11" Min 11" Normal 13" Max	6.3" w.c. [1.57KPa]	10" w.c. [2.61KPa]
OB48IPN	Natural Gas	IPI Adjustable	54,000Lo 80,000Hi	#14	1/16" Open	S.I.T. Nova 3/8"NPT	5.5" Min 7" Normal 10" Max	1.6" w.c. [0.40KPa]	3.5" w.c. [0.87KPa]
OB48IPP	Propane	IPI Adjustable	61,000Lo 80,000Hi	#37	Fully Open	S.I.T. Nova 3/8"NPT	11" Min 11" Normal 13" Max	6.3" w.c. [1.57KPa]	10" w.c. [2.61KPa]
OB72IPN	Natural Gas	IPI Adjustable	117,000	#19 [2ea]	1/16" Open	S.I.T. IPI 1/2"NPT	5.5" Min 7" Normal 10" Max	1.6" w.c. [0.40KPa]	3.5" w.c. [0.87KPa]
OB72IPP	Propane	IPI Adjustable	115,000	#43[2ea]	Fully Open	S.I.T. IPI 1/2"NPT	11" Min 11" Normal 13" Max	6.3" w.c. [1.57KPa]	10" w.c. [2.61KPa]

LP Cylinder Requirements

NOTE: Cylinders acceptable for use inside this appliance must be compatible with the retention means shown here.

The LP gas supply cylinder used with LP models must be constructed and marked in accordance with the specifications for LP-gas cylinders of the U.S. Department of Transportation (DOT) *Specifications for LP-Gas Cylinders, or the Standard for Cylinders, Spheres and Tubes for Transportation of Dangerous Goods and Commission, CAN/CSA-B339*, as applicable.

The LP gas supply cylinder used with LP models must be provided with a listed overfilling prevention device.

The pressure regulator and hose assembly supplied with LP models (PN# **27FP-900FF** or **24OFS-P120**) must be used. Replacement pressure regulators and hose assemblies must be those specified in this manual.

Always check for gas leaks with a soap and water solution. **DO NOT USE OPEN FLAME FOR LEAK TESTING.**

When an LP model is not in use, the LP-gas must be turned off at the supply cylinder.

At altitudes above 4500ft appliances should be derated 4% every 1000ft. However, check with local gas supplier as fuel supply may already be adjusted.

Refer to **Burner System Maintenance** for proper pilot orientation.

Refer to **Burner System Maintenance** for pilot and main burner flame appearance.

Refer to **Gas Line Installation** for leak testing procedures.

Refer to **Gas Specifications** for manifold pressures.

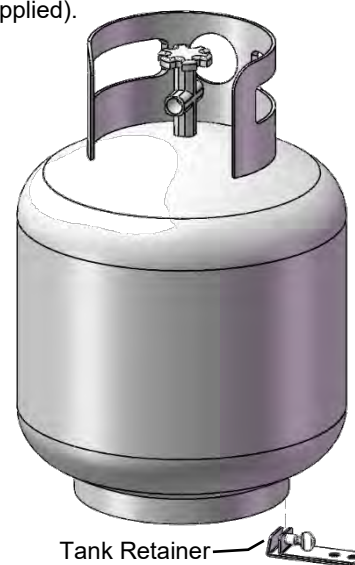
Refer to **Gas Specifications** for gas inlet pressures.

Refer to **Gas Specifications** for input rates.

Refer to **Lighting Instructions** for normal sequence of the ignition system.

TANK RETAINER - Included with LP Conversion Kits

1. Connect foot ring of LP Tank to Tank Retainer with thumbscrew.
2. Fasten Tank retainer to mounting surface with lag screw.
3. Concrete anchor required for concrete surface (not supplied).



- LP Conversion Kits -

Kit Number	Description	Pilot Orifice	Burner Orifice Brass (1000-255)	Air Shutter	Hi/Lo Regulator (if applicable)
24OB-CKLP	LP Conversion For OB24 -Millivolt-	1001-P150SI #23 (977.150)	#49	Fully Open	1001-P202si (0.907.202)
24OB-CKLP2	LP Conversion For OB24 -IPI-	1001-P168SI #35 (977.168)	#49	Fully Open	1002-P012SI (907.012)
36OB-CKLP	LP Conversion For OB36 -Millivolt-	1001-P150SI #23 (977.150)	#43	Fully Open	1001-P202si (0.907.202)
36OB-CKLP2	LP Conversion For OB36 -IPI-	1001-P168SI #35 (977.168)	#43	Fully Open	1002-P012SI (907.012)
48OB-CKLP	LP Conversion For OB48 -Millivolt-	1001-P150SI #23 (977.150)	#37	Fully Open	1001-P202si (0.907.202)
48OB-CKLP2	LP Conversion For OB48 -IPI-	1001-P168SI #35 (977.168)	#37	Fully Open	1002-P012SI (907.012)
72OB-CKLP	LP Conversion For OB72 -Millivolt-	1001-P150SI #23 (977.150)	#43 [Qty 2]	Fully Open	1001-P202si (0.907.202)
72OB-CKLP2	LP Conversion For OB72 -IPI-	N/A	#43 [Qty 2]	Fully Open	1002-P012SI (907.012)
96OB-CKLP	LP Conversion For OB96 -Millivolt-	1001-P150SI #23 (977.150)	#37 [Qty 2]	Fully Open	1001-P202si (0.907.202)

All LP Conversion Kits include a Tank retainer. This Bracket is NOT USED on Outdoor Fire Tables.

Gas Conversion – PART A - MANUAL SYSTEMS –

NOTE: CONVERSION SHOULD BE COMPLETED BEFORE BURNER IS INSTALLED.

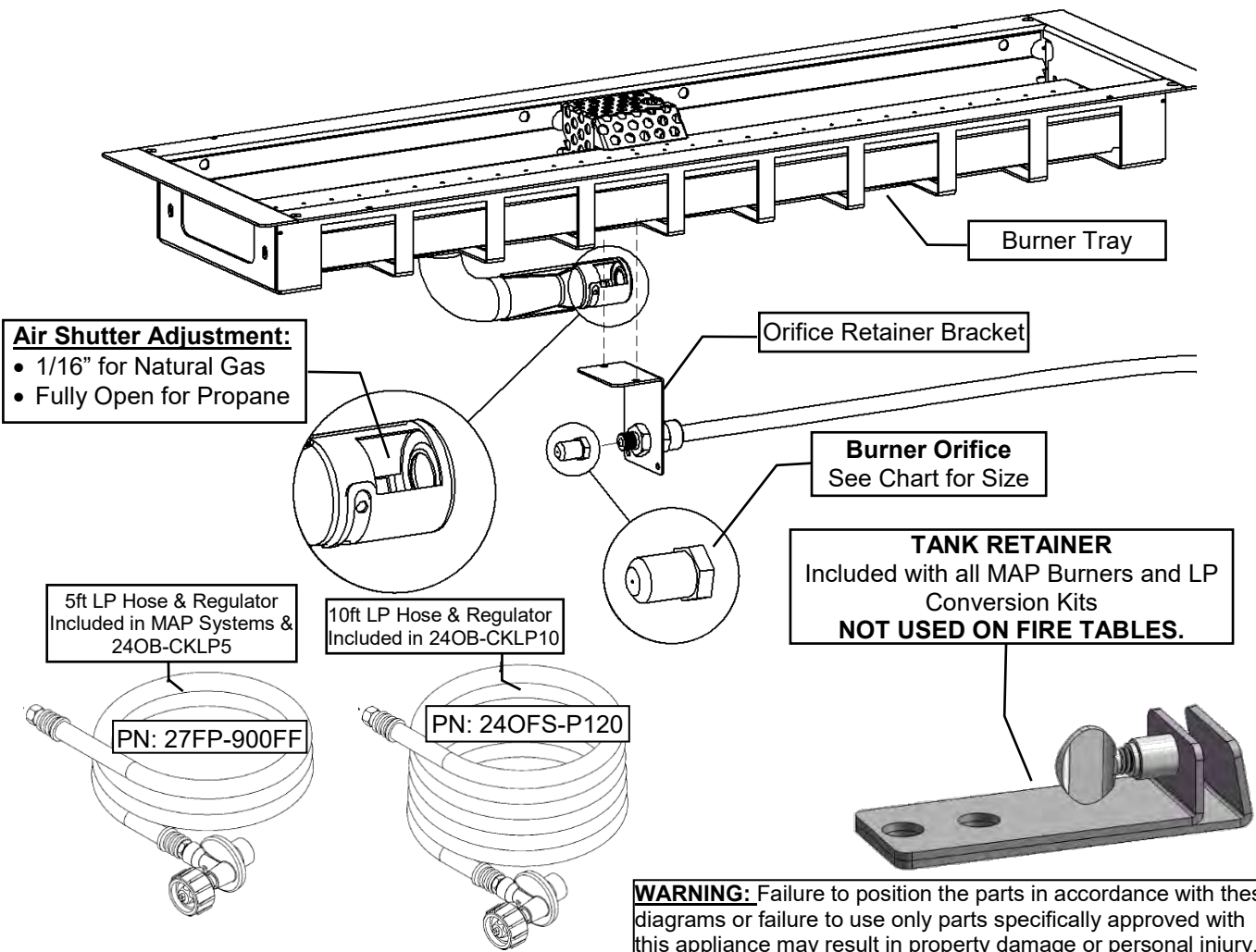
Caution- the gas supply shall be shut off prior to disconnecting the electrical power, before proceeding with the conversion.

TO CONVERT PROPANE (MAP) SYSTEMS TO NATURAL GAS (MAN):

1. Remove [2] screws from Orifice Retainer Bracket.
2. Remove Burner Orifice from Air Shutter. Using a 1/2" wrench, disconnect Burner Orifice from brass fitting and replace with supplied NG Burner Orifice.
3. Set Air Shutter Adjustment to **1/16"**.
4. Re-insert new Burner Orifice into Air Shutter.
5. Re-attach Orifice Retainer Bracket to Burner Tray.
6. Disconnect LP Hose and Regulator from Valve Assembly.

TO CONVERT NATURAL GAS (MAN) SYSTEMS TO PROPANE (MAP):

1. Remove [2] screws from Orifice Retainer Bracket.
2. Remove Burner Orifice from Air Shutter. Using a 1/2" wrench, disconnect Burner Orifice from brass fitting and replace with supplied LP Burner Orifice.
3. Set Air Shutter Adjustment **Fully Open**.
4. Re-insert new Burner Orifice into Air Shutter.
5. Re-attach Orifice Retainer Bracket to Burner Tray.
6. Connect LP Hose and Regulator to Valve Assembly.



WARNING

This conversion kit shall be installed by a qualified service agency in accordance with the manufacturer's instructions and all applicable codes and requirements of the Authority Having jurisdiction. If the information on in these instructions is not followed exactly, a fire, explosion or production of carbon monoxide may result causing property damage, personal injury or loss of life.

The qualified service agency is responsible for the proper installation of this kit. The installation is not proper and complete until the operation of the converted appliance is checked as specified in the manufacturer's instructions supplied with the kit.

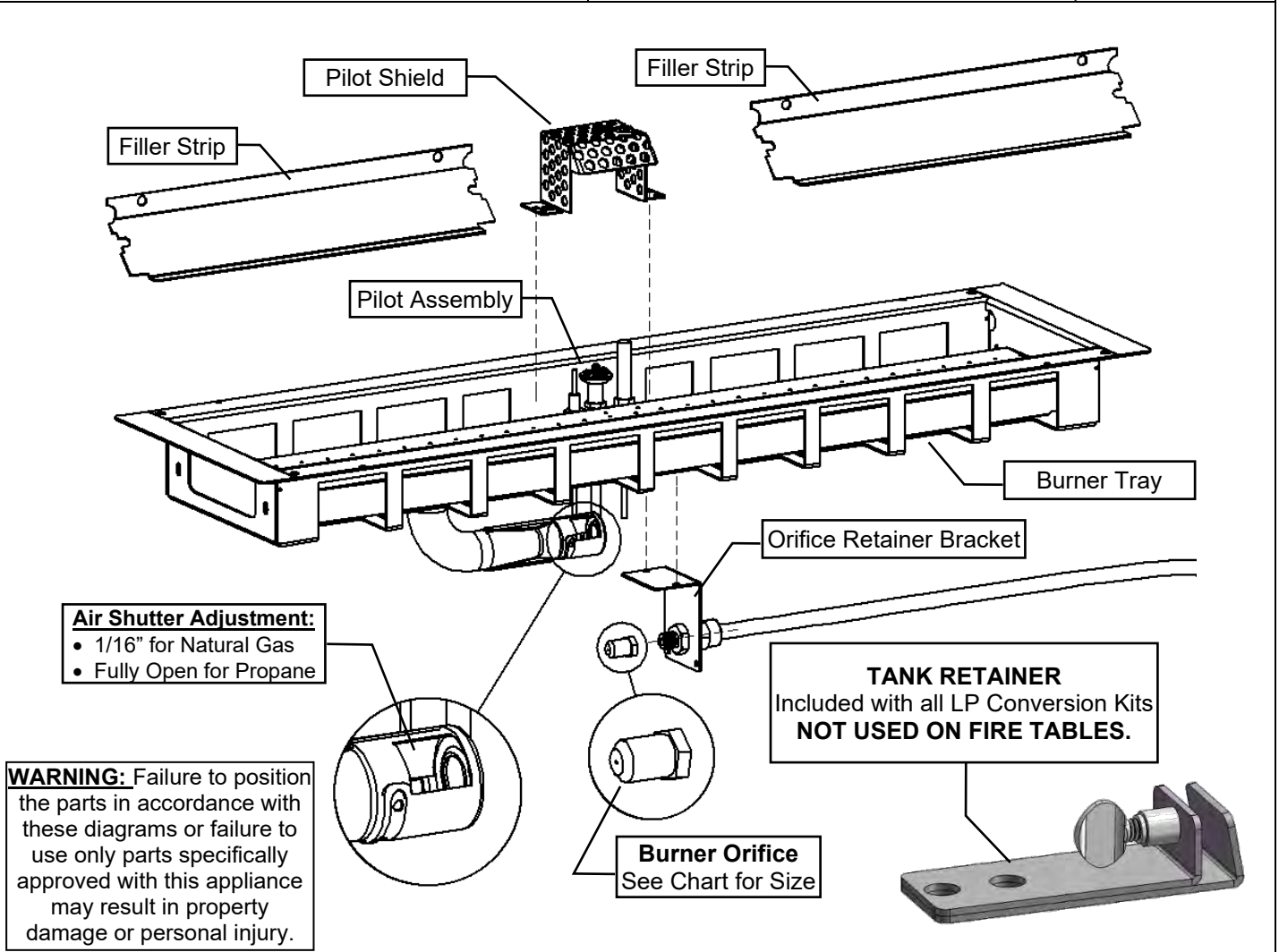
Gas Conversion –PART A – MILLIVOLT & PROFLAME IPI SYSTEMS -

NOTE: CONVERSION SHOULD BE COMPLETED BEFORE BURNER IS INSTALLED.

Caution- the gas supply shall be shut off prior to disconnecting the electrical power, before proceeding with the conversion.

TO CONVERT MILLIVOLT & Proflame IPI GAS SYSTEMS:

1. Remove [2] screws from Orifice Retainer Bracket.
2. Remove Burner Orifice from Air Shutter. Using a 1/2" wrench, disconnect Burner Orifice from brass fitting and replace with appropriate Burner Orifice.
3. Set Air Shutter Adjustment to **Fully Open for LP**, and **1/16"** for **NG**.
4. Re-insert new Burner Orifice into Air Shutter.
5. Re-attach Orifice Retainer Bracket to Burner Tray.
6. Remove Filler Strips and Pilot Shield to access Pilot Assembly.
7. Install new Pilot Orifice and Hi/Lo Valve Regulator by following instructions supplied with Conversion Kit (also see Parts B & C of Conversion Kit Instructions).



WARNING


This conversion kit shall be installed by a qualified service agency in accordance with the manufacturer's instructions and all applicable codes and requirements of the Authority Having jurisdiction. If the information on in these instructions is not followed exactly, a fire, explosion or production of carbon monoxide may result causing property damage, personal injury or loss of life.

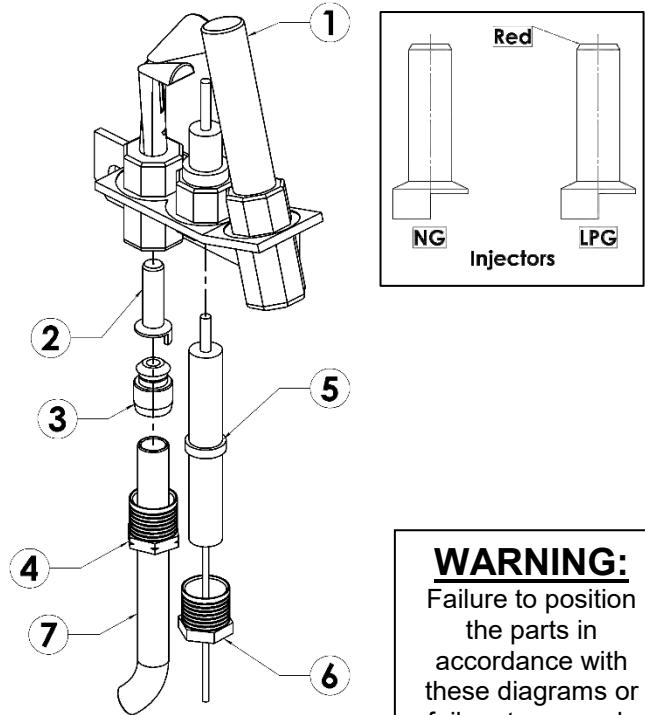
The qualified service agency is responsible for the proper installation of this kit. The installation is not proper and complete until the operation of the converted appliance is checked as specified in the manufacturer's instructions supplied with the kit.

Gas Conversion – 1001-P503SI Pilot - Millivolt - Part A

Warning!

This conversion kit shall be installed by a qualified service agency in accordance with the manufacturer's instructions and all applicable codes and requirements of the authority having jurisdiction. If the information in these instructions is not followed exactly, a fire, explosion, or production of carbon monoxide may result in causing property damage, personal injury or loss of life. The qualified service agency is responsible for the proper installation of this kit. The installation is not proper and complete until the operation of the converted appliance is checked as specified in the manufacturer's instructions supplied with the kit.

1. Shut off the gas supply to the appliance.
 2. Allow the pilot burner to cool to room temperature.
-  Warning:** Touching a hot pilot burner can result in injury.
3. Using a 10mm wrench, remove the pilot tube from the pilot burner assembly. The olive and injector can now be removed from the bottom of the pilot hood.
 4. Verify that the new injector is proper for the application. LPG injectors have a RED top surface, while NG injectors do not. Refer to the Parts List in this manual for the proper injector.
 5. Insert new injector into bottom of pilot hood. Replace olive and reconnect pilot tube.



WARNING:

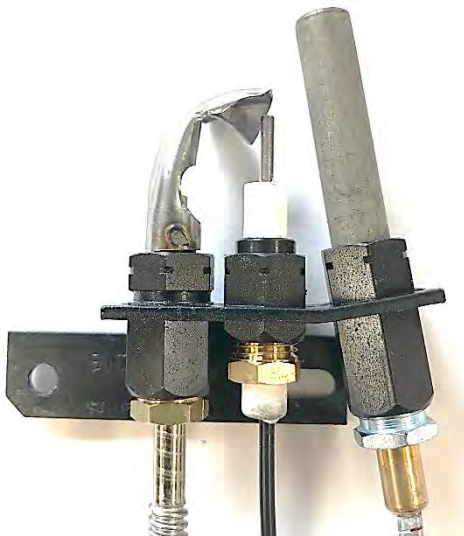
Failure to position the parts in accordance with these diagrams or failure to use only parts specifically approved with this appliance may result in property damage or personal injury.

ITEM NO.	PART NUMBER
1	Thermopile
2	Injector
3	Olive
4	Pilot Tube Nut
5	Spark Electrode
6	Electrode Nut
7	1/4" Pilot Tube

- Warning -

This conversion kit must only be applied as part of a conversion kit supplied by the appliance Manufacturer for the specific appliance, and type of gas being converted.

Installer Notice: These instructions must be left with appliance.



Part Number	Description
1 1000-P136WR	Thermopile
2 1001-P150si	Orifice Propane
1001-P132si	Orifice Natural Gas
3 1001-P025si	Olive
4 1001-P056si	Nut for Olive
5 1001-P069si	Igniter c/w wire
6 1001-P037si	Nut
7 26IDV-P324	Stainless Steel Gas Connector

Gas Conversion Instructions for Convertible Orifice in Flat Plate Style Bracket Pilot ("C" Series) - 10 02-PSEC7524 Pilot

NOTE: it is not necessary to remove the pilot tube for gas conversion.

- 1) Loosen (CCW Rotation) the Pilot Target Hex Fitting 1/4 turn with a 7/16" end wrench as shown in **figure A**. Use caution to avoid bending Orifice Strip by improper placement of end wrench.
- 2) Push Orifice Strip Tab all the way against the hex fitting as shown in **figure B1 & B2**.

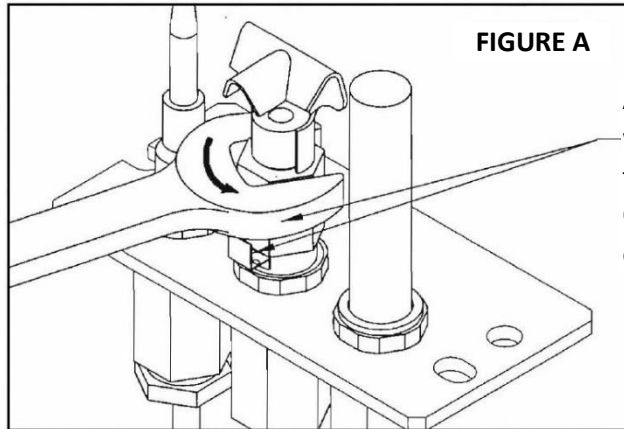
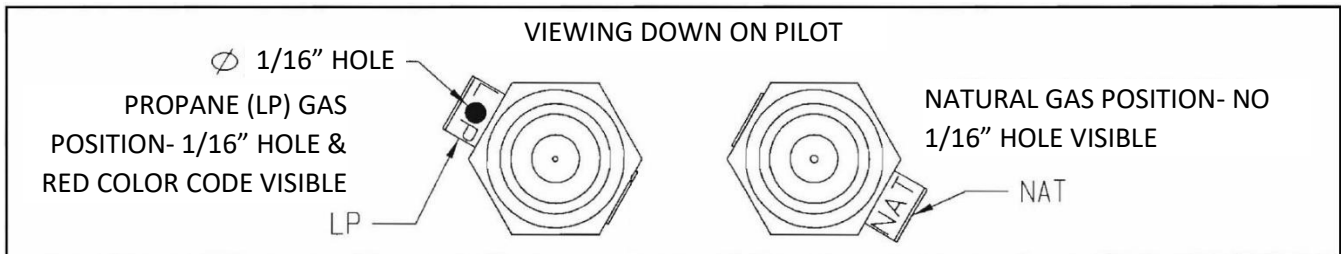


FIGURE A

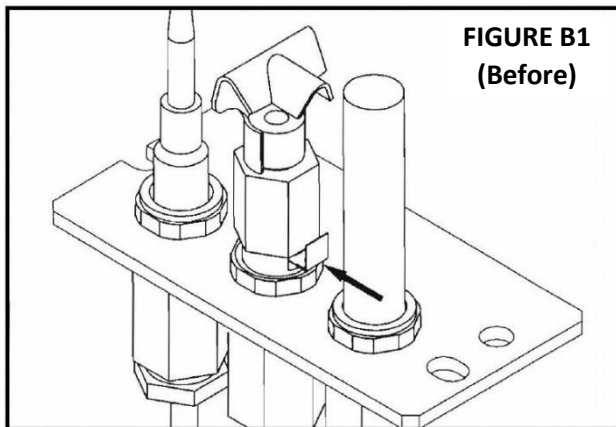
Avoid contacting Orifice Strip with end wrench. Failure to do this can cause distortion of the Orifice Strip when loosening or tightening.

NOTE: Orifice Strip may be randomly located on any side of the Hex Fitting.

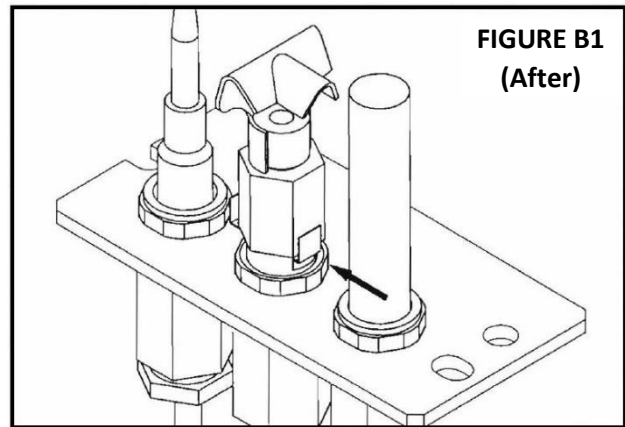


VIEWING DOWN ON PILOT
 \varnothing 1/16" HOLE
PROPANE (LP) GAS
POSITION- 1/16" HOLE &
RED COLOR CODE VISIBLE
LP

NATURAL GAS POSITION- NO
1/16" HOLE VISIBLE
NAT



**FIGURE B1
(Before)**



**FIGURE B1
(After)**

- 3) Re-tighten the Pilot Target Hex Fitting until the Pilot Target aligns with the Thermocouple & Thermopile as shown in **figure C**. Use caution to avoid bending Orifice Strip by improper placement of end wrench.

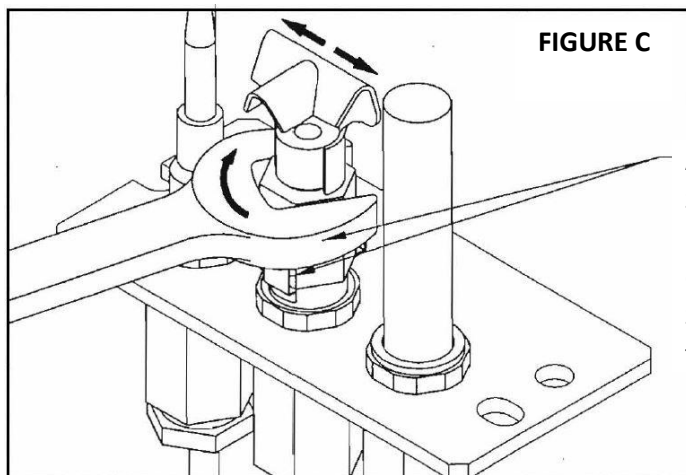


FIGURE C

Avoid contacting Orifice Strip with end wrench. Failure to do this can cause distortion of the Orifice Strip when loosening or tightening.

- 4) Installation is complete.

installation instructions

7.252.136

820 NOVA mV

Modulating Conversion Kit

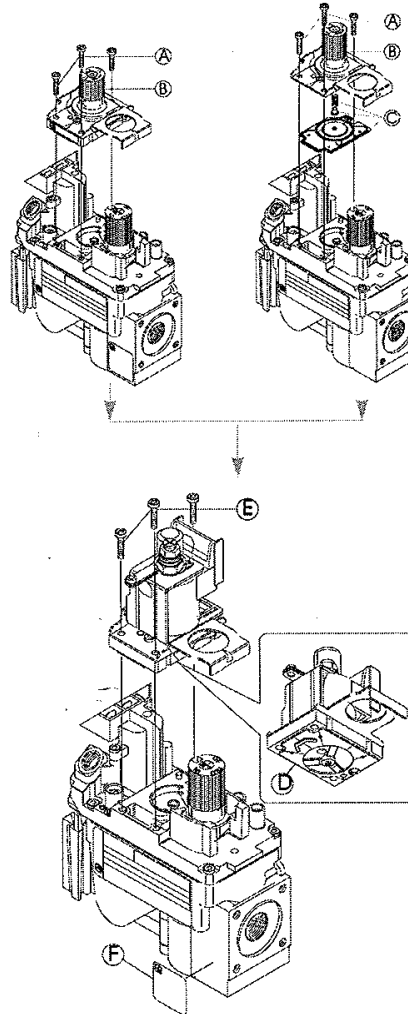


WARNING!

The installation of this conversion kit must only be undertaken by a qualified and certified gas appliance installer.

MODULATING PRESSURE REGULATOR CONVERSION KIT INSTALLATION OR REPLACEMENT INSTRUCTIONS.

- 1 Turn control knob to the OFF position, and shut off the gas supply to the valve.
- 2 Using a Torx T20, or slotted screwdriver, remove and discard the three pressure regulator mounting screws (A), pressure regulator tower (B), and the spring and diaphragm assembly (C).
(If applicable)
- 3 Insure that the rubber gasket (D) is properly positioned and install the new modulating pressure regulator assembly to the valve using the new screws (E) supplied with the kit. Tighten screws securely.
(Reference torque = 25 In.Lb.)
- 4 Install the enclosed identification label (F) to the valve body where it can be easily seen.
- 5 Apply gas to system and re-light appliance according to manufacturers instructions.
- 6 With the main burner "ON", test the new pressure regulator assembly for leaks using a soap solution.
- 7 Relight the main burner in both the HI and LO positions, and verify proper burner ignition and operation.



WARNING!

This modulating conversion kit must ONLY be applied as part of a conversion kit supplied by the APPLIANCE MANUFACTURER for the specific appliance, and type of gas, being converted.

INSTALLER NOTICE. These instructions must be left with appliance.



SIT Group

Outdoor Burners - Troubleshooting the Gas Control System

NOTE: Before troubleshooting the gas control system, be sure external gas shut off is in the "ON" position.

Problem	Possible Causes	Corrective Action
Spark igniter will not light	Defective or misaligned electrode at pilot.	Check for spark at electrode and pilot: if no spark and electrode wire is properly connected, replace igniter.
	Defective igniter (push-button)	Using a match, light pilot, If pilot lights, turn off pilot and push the red button again. If pilot will not light, check gap at electrode and pilot- gap should be 1/8" to 1/4" to have a strong spark.
Pilot will not light	Safety Switch is Depressed.	Clear any obstructions and make sure Lever Arm is not bent or damaged.
Pilot will not stay lit after carefully following lighting instructions.	Defective Valve Magnet	Turn valve knob "ON", place wall switch "ON". Millivolt meter should read greater than 100mv. If the reading is okay and the burner does not come on, replace the gas valve.
Pilot burning, no gas to burner, Valve knob "ON", Wall Switch "ON"	Wall Switch or wires defective	Check wall switch and wires for proper connections. Jumper wire across terminals at wall switch. If burner comes on, replace defective wall switch. If okay, jumper wire across wall switch wires at valve. If burner comes on, wires are faulty or connections are bad.
	Generator may not be generating sufficient voltage	Check generator with millivolt meter. Take reading at generator terminals of gas valve. Should read 325 millivolts minimum while holding valve knob depressed in pilot position and wall switch "OFF". Replace faulty generator if reading is below specified minimum.
	Plugged burner orifice	Check burner orifice for stoppage and remove.
	Defective automatic valve operator	Remove all switch wires from gas valve. Install jumper wires from TPTH and TH terminals of gas valve. Turn valve "ON". If main burner does not light, replace valve.
Frequent Pilot outage problem	Pilot flame may be too low or blowing (high) causing the pilot safety to drop out	Clean and/or adjust pilot flame for maximum flame impingement on generator.
	Windy Conditions	-Move appliance to a less windy area if possible -Use when conditions are less windy -Install a wind guard
Burners burn with yellow flame, accompanied by the smell of gas.	Possible spider web or other debris.	Thoroughly clean burner venturi.

Overview

The IPI system is an advanced burner controller that provides you with the option of having either a Standing-Pilot, or an intermittent igniting system. This alternating mode is controlled by the CPI/IPI Switch (Continuous Pilot Ignition/Intermittent Pilot Ignition) located on the IPI System Box. The difference between a Standing-Pilot and an Intermittent-Pilot is in whether the pilot stays lit or shuts off:

In Standing-Pilot, the pilot assembly is lit by the IPI Main Module and continues to stay lit until 1) the CPI/IPI Switch is switched to the IPI position; 2) a loss of electrical power (battery and AC source), 3) the flame sensor loses its signal, 4) the fuel supply discontinues, or 5) the IPI Main Module malfunctions.

In the Intermittent-Pilot mode, the pilot shuts off when the appliance is not in use. The advantage of this mode is that fuel is not consumed when the fireplace is not operating.

NOTE: In some jurisdictions Intermittent-Pilot is required. That means the pilot cannot remain lit when the appliance is not operating.

Components

The core of the IPI system is the Main Module and the IPI Valve. With these two components the system is able to operate a gas fireplace. There are also other components available to complement the IPI system.

IPI System Cover: Is essential in keeping the components at their proper operating temperatures. **DO NOT OPERATE THE APPLIANCE WITHOUT THIS COVER.**

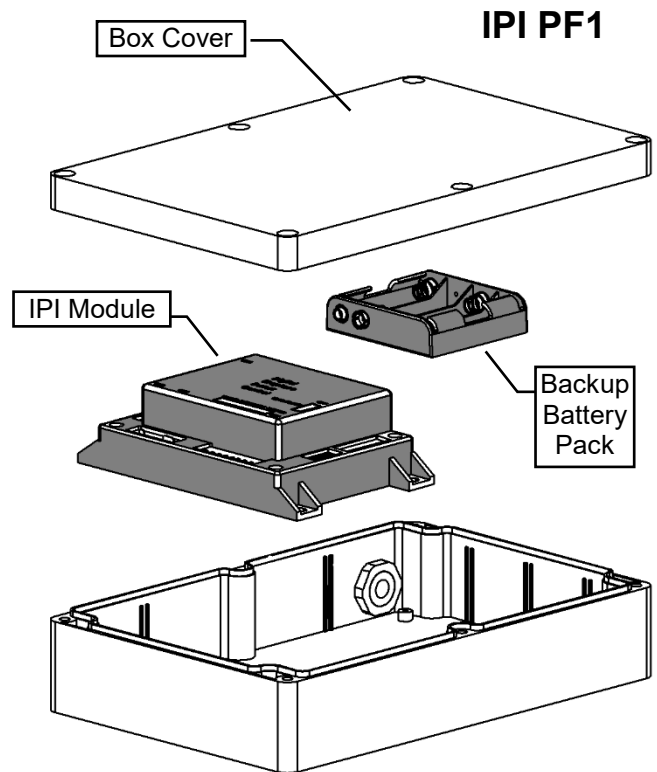
Modulating Servo Motor: Is an add-on valve component that permits HI/LO functionality to be controlled by the remote. Contrary to this feature is a Manual HI/LO Control Knob. The Modulating Servo Motor requires the Remote system to be present.

Backup Battery Pack: This component permits the IPI system to operate without the need for an external AC Adapter power source. The advantage to using the battery backup is that in the case of a power failure, the appliance is still operable.

NOTE: In certain instances the IPI Main Module requires resetting. This can occur if the system is unable to ignite the pilot or the main burner in the allotted time period. The IPI is programmed to lockout all commands. To reset this lockout you must deplete the system of all electrical power. This means to remove the batteries from the Battery Pack, remove the batteries from the Remote Receiver (if applicable), and disconnect the AC Adapter from the system. Leave the power off for approximately 25 seconds to clear its lockout.

Remote Receiver: This component provides the capability of controlling the appliance with a wireless remote transmitter.

Standing Pilot Mode for Colder Climates (Below Freezing)
 For IPI models it may be necessary to set the appliance to Standing Pilot mode to maintain heat in the cavity. The purpose of this procedure is to prevent cold air from penetrating the chimney and then onto the living space. Therefore, when the internal temperature is slightly elevated the fireplace is able to freely exhaust its combustion and hence making it easier to startup.
NOTE: The pilot system for this appliance may be equipped with a Seven Day Timer, in which case the pilot flame will be extinguished if the main burner has not been turned ON for seven days. This Seven Day Cycle is reset every time the main burner is cycled ON / OFF and the pilot remains lit. If more than seven days has passed since the main burner has been cycled ON / OFF and the pilot is also out, follow the procedures described in this manual to light the pilot.



PART NO.	DESCRIPTION
1.	1006-P002SI Valve IPI Hi/Lo NG
2.	1006-P003SI Valve IPI Hi/Lo LP
3.	1002-P302SI IPI Ignition Board
4.	1002-P047SI Pilot Assembly-LP -24" Wire
5.	1002-P033SI Pilot Assembly-NG -24" Wire
5b.	1002-P0345PSE Pilot Burner Convertible NG – 24" (Assembled)
6.	1002-P850SI AC Wall Adapter
7.	1002-P12BH Battery Pack
8.	1001-P280SI TC - Tubing W/Fittings 1/8 2.182.280
9.	1001-P166SI TC - Orifice Pilot NG 977.166 #62 (IPI)

10.	1001-P168SI	TC - Orifice Pilot LP 977.168 #35 (IPI)
11.	1002-P012SI	IPI Stepper Kit - LP 907.012
12.	1002-P013SI	IPI Stepper Kit - NG 907.013
13.	1002-P014SI	IPI Reg Kit - LP Hi-Lo 907.014
14.	1002-P016SI	IPI Reg Kit - NG Hi-Lo 907.016
15.	1002-P017SI	TC - Electrode Cable & Sparker IPI 915.017 24"
16.	1002-P119SI	TC - Electrode Cable & Sparker IPI 35" (Infinite, ZCVRB47, VRB46)
17.	1002-P903SI	TC - Electrode Flame Sense IPI 007.253/915.903 24"
18.	1002-P910SI	TC - Electrode Flame Sense 35" (Infinite, ZCVRB47, VRB46)



Proflame Transmitter
1001-P023SI

⚠ WARNING

Electrical Grounding Instructions

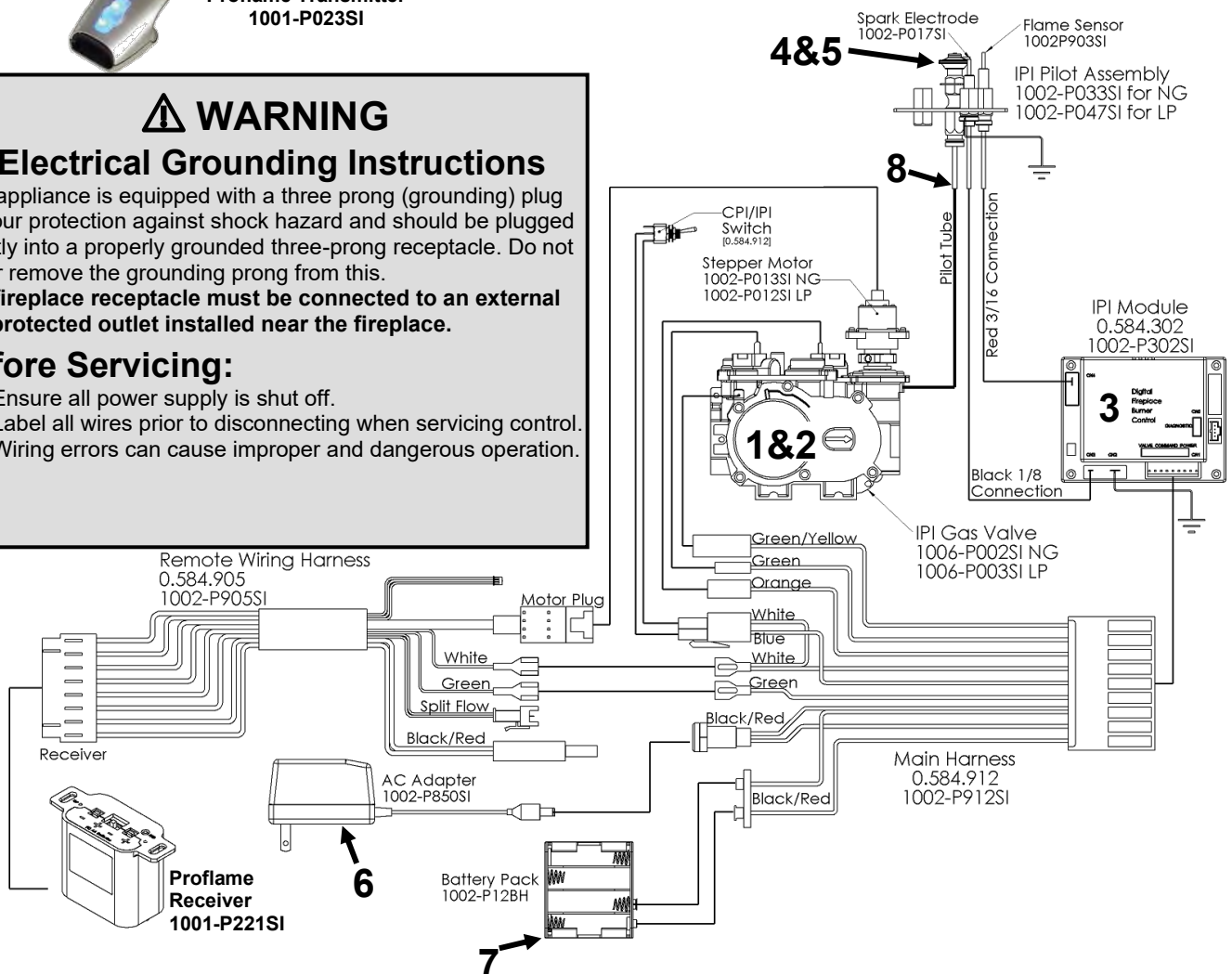
This appliance is equipped with a three prong (grounding) plug for your protection against shock hazard and should be plugged directly into a properly grounded three-prong receptacle. Do not cut or remove the grounding prong from this.

The fireplace receptacle must be connected to an external GFI protected outlet installed near the fireplace.

Before Servicing:

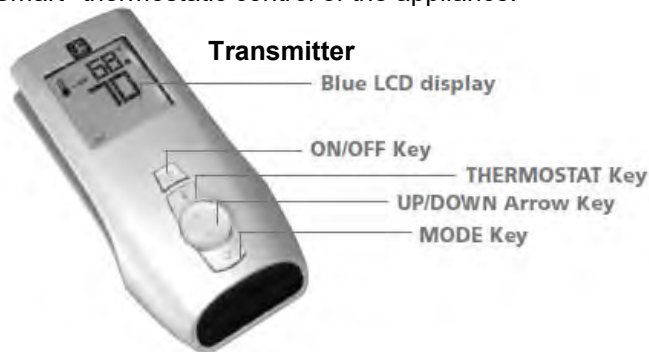
1. Ensure all power supply is shut off.
2. Label all wires prior to disconnecting when servicing control. Wiring errors can cause improper and dangerous operation.

NOTE: Fan Option is not available. Check with your dealer.



IPI Proflame 1 -Remote Control Operation-

The Proflame GTM is configured to control the on/off main burner operation, its flame levels, and provides on/off and Smart *thermostatic control of the appliance.



Transmitter

The Transmitter is powered by 3 AAA type batteries. A Mode Key is provided to Index between the features and a *thermostat Key is used to turn on/off or index through *thermostat functions

Remote Receiver

The Receiver connects directly to the gas valve and stepper motor with a wiring harness. The Receiver is powered by 4 AA type batteries. The Receiver three position slider switch can be set to one of three positions: ON (Manual Override), Remote (Remote control) or Off.

Initializing the System for the first time

Install 4 AA batteries into the receiver battery bay. Install 3 AAA type batteries in the Transmitter battery bay. Place the 3 position slider switch in the "Remote" position. Insert the end of a paper clip into the hole marked "PRG" on the Receiver front cover. The Receiver will "beep" three (3) times to indicate that it is ready to synchronize with a Transmitter. Push the On button. The Receiver will "beep" four times to indicate the Transmitter's command is accepted. The system is now initialized.

Temperature indication Display

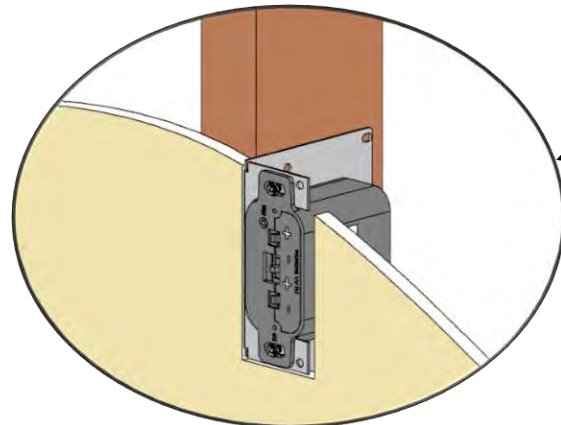
With the system in the "OFF" position, press the *thermostat Key and the Mode Key at the same time. Look at the LCD screen on the Transmitter to verify that a C or F is visible to the right of the Room Temperature display.

Turn the Appliance On or Off

Press the ON/OFF Key on the Transmitter

Remote Flame Control

The Proflame GTM has six (6) flame levels. Pressing the Down Arrow Key once will reduce the flame height by one step until the flame is turned off. The Up Arrow Key will increase the flame height each time it is pressed. If the Up Arrow Key is pressed while the system is on but the flame is off, the flame will come on in the high position.



Wall Mount Option

10ft. Extension Harness (Part No. 1001-P904SI) required.

- The Remote Receiver can be mounted on a vertical wall stud using the DCHS as a mounting bracket.
- Ensure that the face is protruding 1/2" so that the face plate will be flush on the face of the wall.
- Drywall cutout size is 2" wide by 4-1/8" tall.
- Must be installed within 10ft of valve assembly (6ft recommended).

Room *thermostat (Transmitter Operation)

The Remote Control can operate as a room *thermostat. To activate this function, press the *thermostat Key. The LCD display on the Transmitter will change to show that the room *thermostat is "ON" and the set temperature is now displayed. To adjust the set temperature, press the Up or Down Arrow Keys until the desired set temperature is displayed on the LCD screen of the Transmitter.

Smart *thermostat (Transmitter Operation)

The Smart *thermostat function adjusts the flame height in accordance to the difference between the set point temperature and the actual room temperatures. As the room temperature gets closer to the set point the Smart Function will modulate the flame down. To activate this function, press the *thermostat Key until the word "SMART" appears to the right of the temperature bulb graphic. To adjust the set temperature, press the Up or Down arrow Keys until the desired set point temperature is displayed.

Key Lock Function

This function will lock the keys to avoid unsupervised operation. To activate this function, press the MODE and the UP Arrow Key at the same time. To de-activate this function, press the MODE and the UP Arrow Key at the same time.

Low Battery Detection

Transmitter - When the Transmitter batteries are low, a Battery Icon will appear on the LCD display of the Transmitter.
Receiver - When the Receiver batteries are low, No "beep" will be emitted from the Receiver when it receives an On/Off command from the Transmitter. When the batteries are replaced the "beep" will be emitted from the Receiver when the ON/OFF Key is pressed (See Initializing the System for the first time).

Manual Bypass Of The Remote System

If the batteries of the Receiver or Transmitter are low or depleted, the appliance can be turned on manually by sliding the three position slider switch on the Receiver to the ON position. This will bypass the remote control feature and the appliance main burner will come on if the gas valve is in the "On" position.

Proflame 2 –NE2 / LPE2

-IPI System Parts List-

IPI PROFLAME 2 - COMPONENT PARTS

PART NO.	DESCRIPTION
1.	1005-P001SI Valve IPI Proflame PF2 885.001 NG - Stepper
2.	1005-P002SI Valve IPI Proflame PF2 885.002 LP - Stepper
3.	1005-P325SI Module IPI - Proflame 2 - 584.325
4.	1005-P627SI Module IPI – Proflame 2 - Basic - 584.627
5.	1005-P924SI Harness PF2 - 584.924
6.	GTMFL Transmitter- PF2 - 584.090 - WiFi Version
6b.	1005-P042SI Transmitter- PF2 - 584.042 - Non-WiFi Version
6c.	1005-P080SI Transmitter- PF2 - 584.080 - WiFi Version
For Replacement Transmitters, Replace with Same Part Number	
7.	584-PWR-C Wire Harness PF2 – Power Cord
8.	584-X4P Terminal Block
9.	584-X10 Wire Harness PF2
10.	584-ACC01-C Wire Harness PF2 - Fan/Light
11.	584-X8-B Wire Harness PF2 - Optional Reset Harness
12.	584-X12 Optional Power Vent Harness

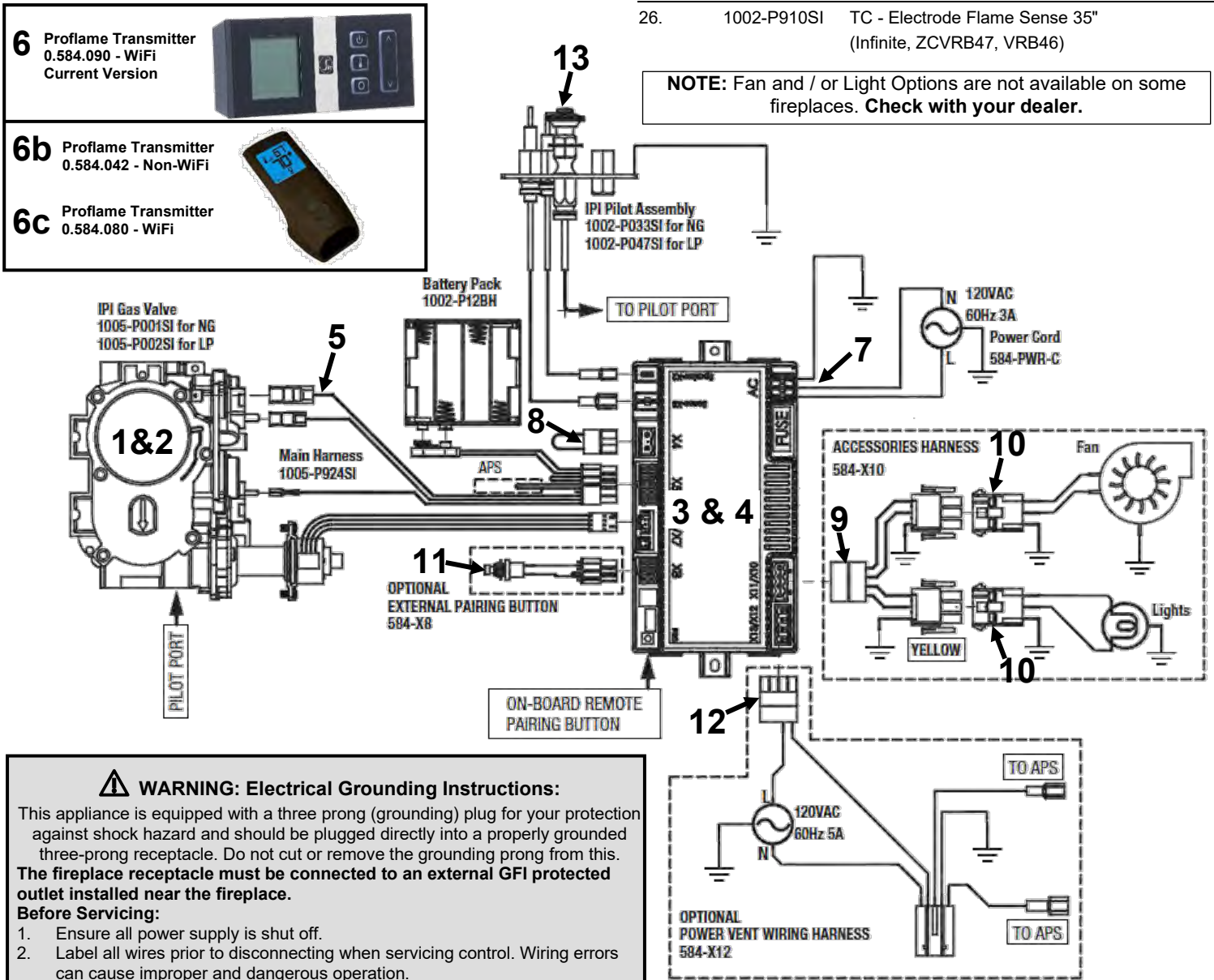
IPI - PF1 and PF2 Common Components

PART NO.	DESCRIPTION
13.	1002-P033SI TC - Pilot Burner IPI (Assembled) NG 199.033
13b.	1002-P0345PSE Pilot Burner Convertible NG – 24"
14.	1002-P047SI TC - Pilot Burner IPI (Assembled) LP 199.047
15.	1001-P166SI TC - Orifice Pilot NG 977.166 #62 (IPI)
16.	1001-P168SI TC - Orifice Pilot LP 977.168 #35 (IPI)
17.	1001-P280SI TC - Tubing W/Fittings 1/8 2.182.280
18.	1002-P012SI IPI Stepper Kit - LP 907.012
19.	1002-P013SI IPI Stepper Kit - NG 907.013
20.	1002-P014SI IPI Reg Kit - LP Hi-Lo 907.014
21.	1002-P016SI IPI Reg Kit - NG Hi-Lo 907.016
22.	1002-P017SI TC - Electrode Cable & Sparker IPI 915.017 24"
23.	1002-P119SI TC - Electrode Cable & Sparker IPI 35" (Infinite, ZCVRB47, VRB46)
24.	1002-P12BH IPI Battery Housing 12bh347-Gr
25.	1002-P903SI TC - Electrode Flame Sense IPI 007.253/915.903 24"
26.	1002-P910SI TC - Electrode Flame Sense 35" (Infinite, ZCVRB47, VRB46)

P2 CONVERSION

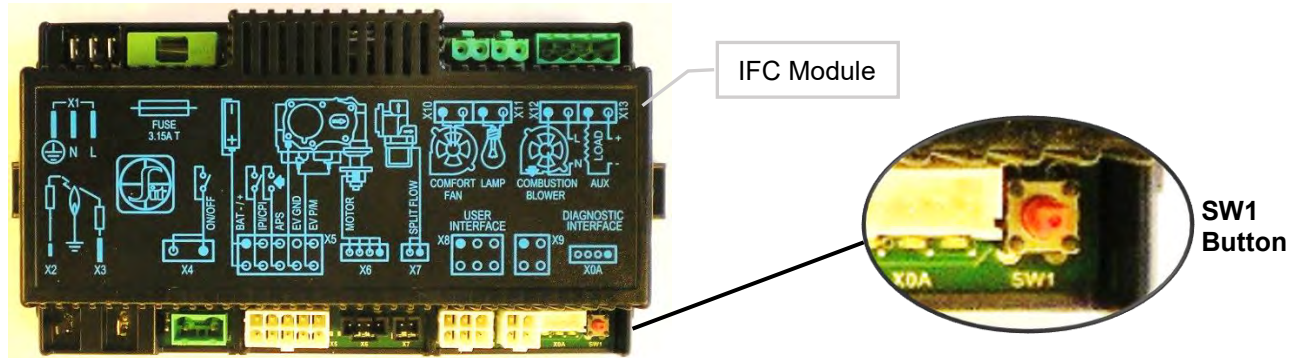
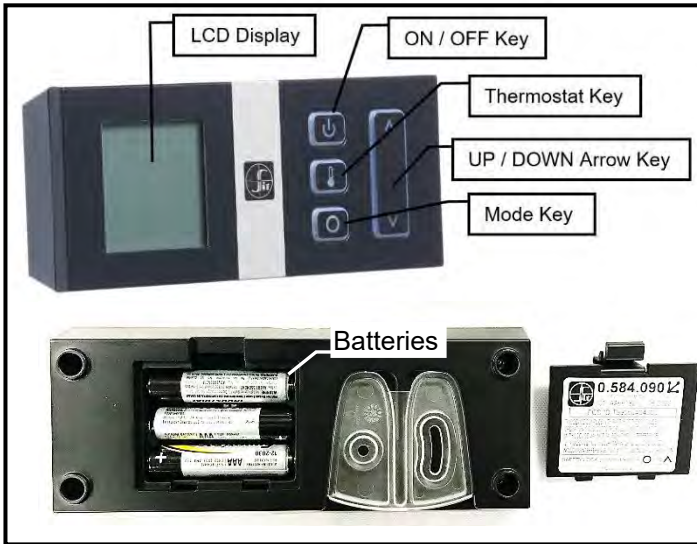
P1 CONVERSION

NOTE: Fan and / or Light Options are not available on some fireplaces. **Check with your dealer.**



⚠ WARNING: Electrical Grounding Instructions:
 This appliance is equipped with a three prong (grounding) plug for your protection against shock hazard and should be plugged directly into a properly grounded three-prong receptacle. Do not cut or remove the grounding prong from this. **The fireplace receptacle must be connected to an external GFI protected outlet installed near the fireplace.**
Before Servicing:
 1. Ensure all power supply is shut off.
 2. Label all wires prior to disconnecting when servicing control. Wiring errors can cause improper and dangerous operation.

IPI Proflame 2 IFC Module and Remote Control



Pairing Remote Control:

- Install the 3 AAA type batteries in the battery bay, located on the base of the Remote Control. Note polarity of the batteries and insert them as indicated.
- Connect the AC power supply to the IFC Module.
- Press the SW1 button on the IFC Module so the IFC will “beep” and a red LED is illuminated to indicate that the IFC Module is ready to synchronize with a Remote Control within 10 seconds. With the batteries already installed in the Remote Control, push the ON button. The receiver will “beep” four times to indicate the Remote Control’s command is accepted.

The system is now initialized.

Resetting Proflame 2 IFC Module for Manual Use

If the transmitter gets misplaced, is broken, or is no longer wanted the PF2 Module can be reset to a manual system. A manual on/off switch or thermostat may be installed at the X4 connector (this connection is Jumped at the factory) no power is required.

The following sequence must be followed to reset the PF2 Module:

- Press the Red **SW1** button until you hear three beeps.
- Within 10 seconds press the **SW1** button again until you hear it beep.
- The PF2 Module may now be turned on/off manually (x4 connector) by a switch (not supplied), the pilot will

remain on CPI (continuous pilot ignition) mode, all other functions of main burner, fan and lights will be on the high setting.

Fan Startup and Shutdown Timings:

Fan setting is started with a delay of 5 minutes from the fireplace ignition and stopped with a delay of 12 minutes from the fireplace switching off.

Low Battery Power Detection

When the Remote Control’s batteries are low, a Battery Icon will appear on the LCD display before all power is lost. When the batteries are replaced this icon will disappear.

Battery Backup

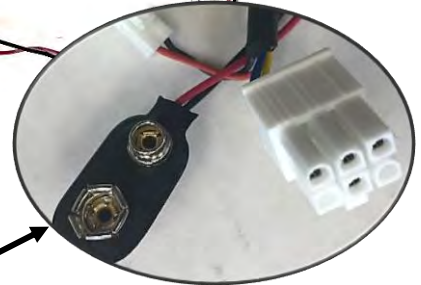
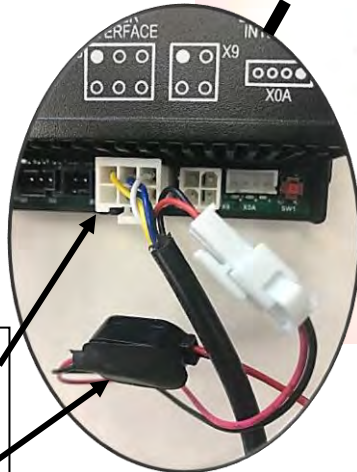
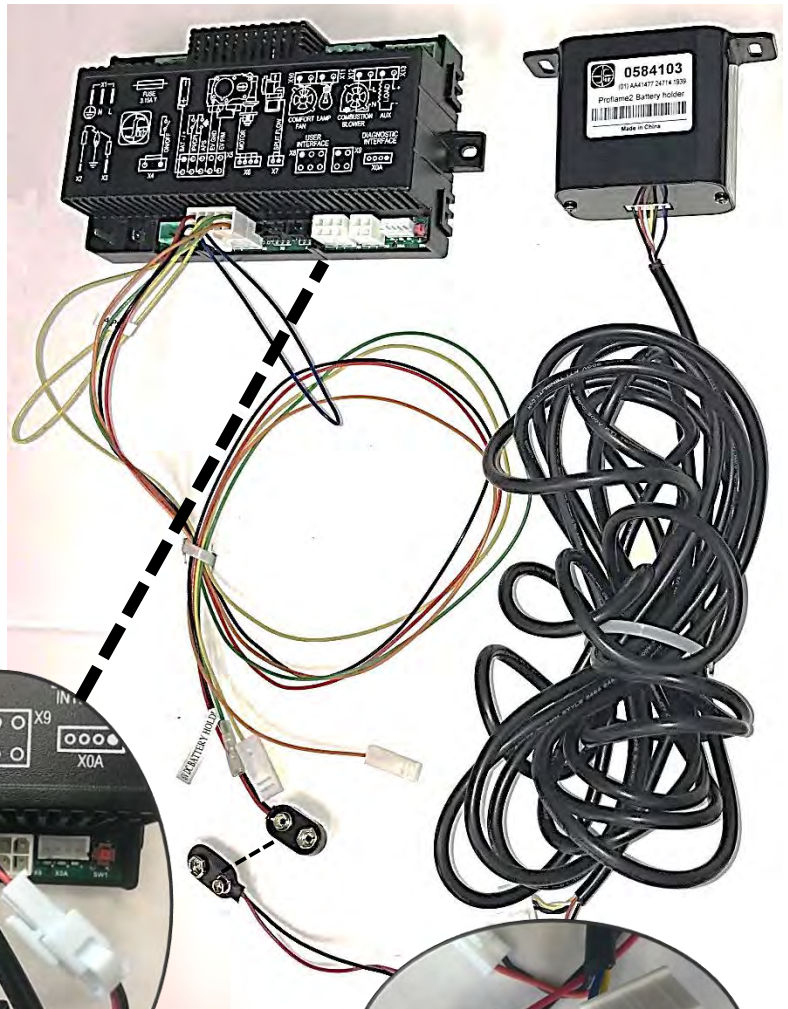
The PF2 module is powered by line voltage (AC) with provision of battery backup in case of main power loss. Fans and lighting features will not function with the PF2 Module is powered by battery backup. It is recommended that the 4 x AA batteries are changed before each heating season.

WMBH – Wall Mount Battery Holder – Proflame 1 and 2 IPI Models - Option

- NOT FOR USE WITH POWER VENTS -

Parts List:

- [1] Battery Holder
- [1] DCHS Mount Bracket
- [1] Wall Mount Cover Plate
- [1] 16 ft. Wiring Harness

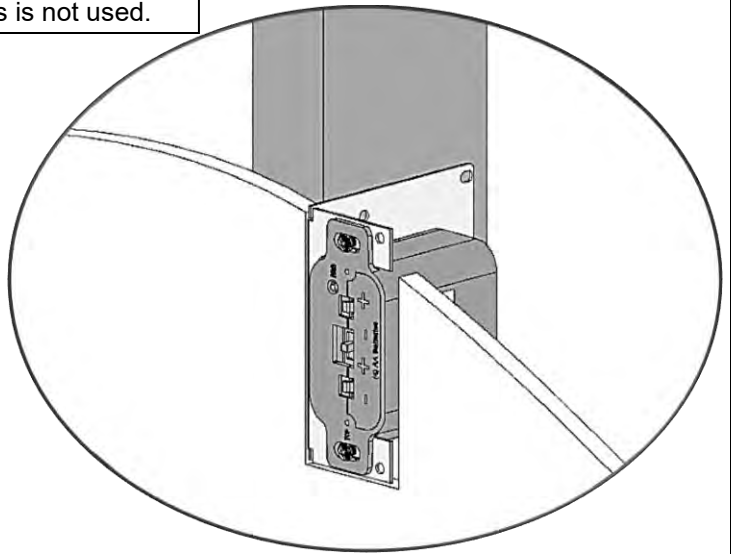


Proflame 2:
 -Plug the **Square Plug Connector** into the **User Interface Socket** in the P2 Module.
 -Plug the **Battery Connector** into **Battery Holder** connection on the Proflame 2 wiring harness.

Proflame 1:
 -Plug **Battery Connector** into **Battery Holder** connection on wiring harness.
 -The **Square Plug Connector** on the 16ft wiring harness is not used.

Wall Mount Battery Holder

- The Battery Holder can be mounted on a vertical wall stud using the DCHS as a mounting bracket.
- Ensure that the face is protruding 1/2" so that the face plate will be flush on the face of the wall.
- Drywall cutout size is 2" wide by 4-1/8" tall.
- Must be installed within 16ft of valve assembly (12ft recommended).



LED Lighting - Custom Enclosures

Please follow the current ANSI/NFPA 70 National Electrical Code in the USA and CAN/CSA C22.1 Canadian National Electrical Code in Canada.

NOTE: If appliance is directly connected to an electrical supply, it must be anchored using anchor points provided in bottom of appliance. Use cord and wire restraints provided also.

⚠ WARNING

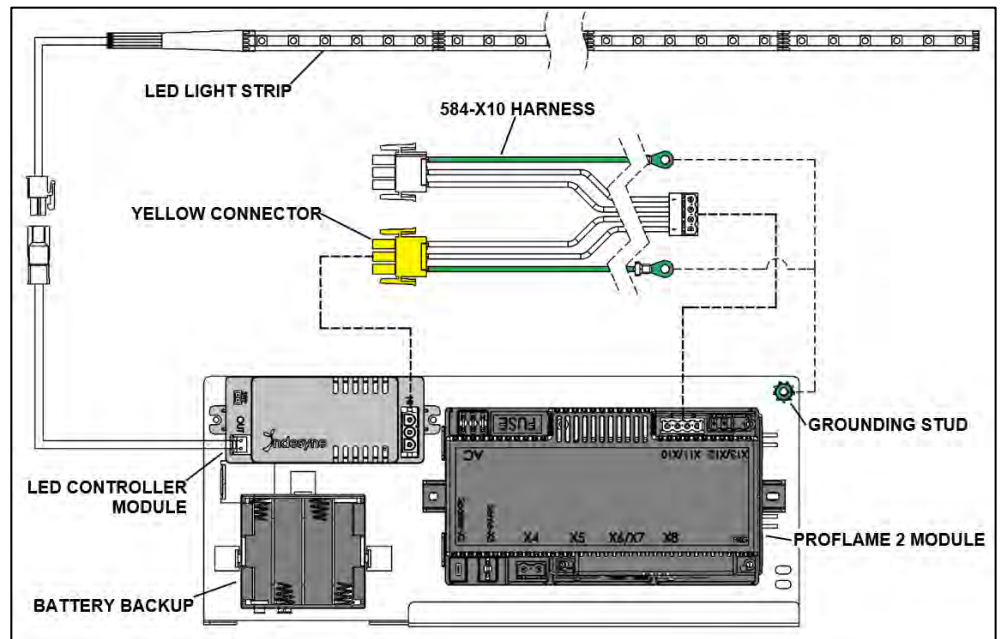
Electrical Grounding Instructions

This appliance is equipped with a three prong (grounding) plug for your protection against shock hazard and should be plugged directly into a properly grounded three-prong receptacle. Do not cut or remove the grounding prong from this.

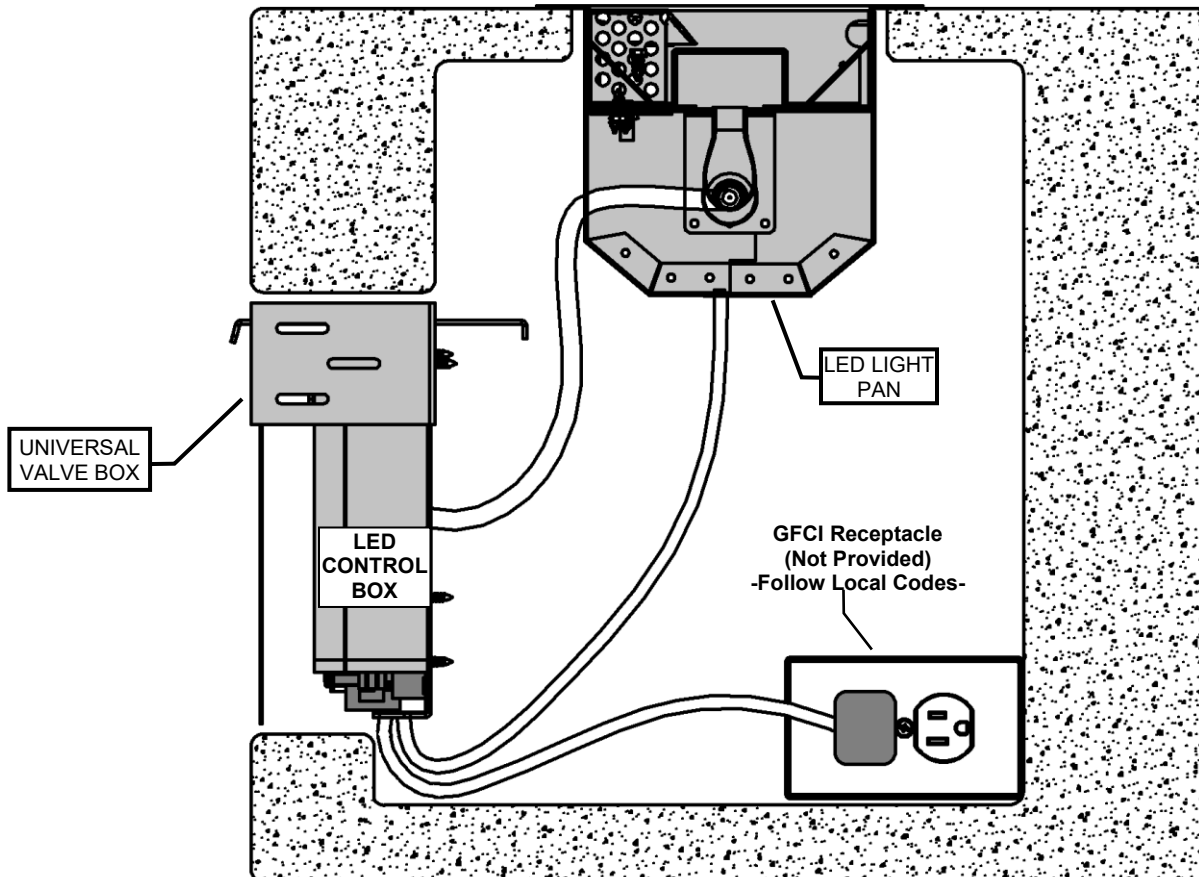
The fireplace receptacle must be connected to an external GFI protected outlet installed near the fireplace.

Before Servicing:

1. Ensure all power supply is shut off.
2. Label all wires prior to disconnecting when servicing control. Wiring errors can cause improper and dangerous operation.

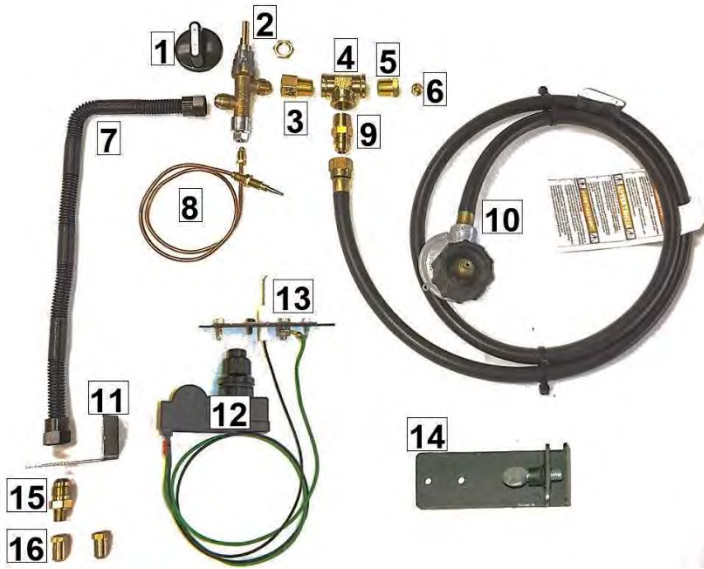


CUSTOM ENCLOSURE - SIDE VIEW



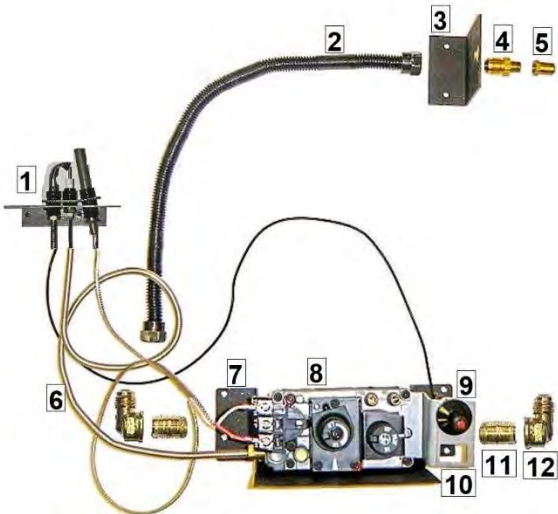
Outdoor Burners –Plumbing Parts- OB24 / 36 / 48

OB24MAPT / OB36MAPT / OB48MAPT



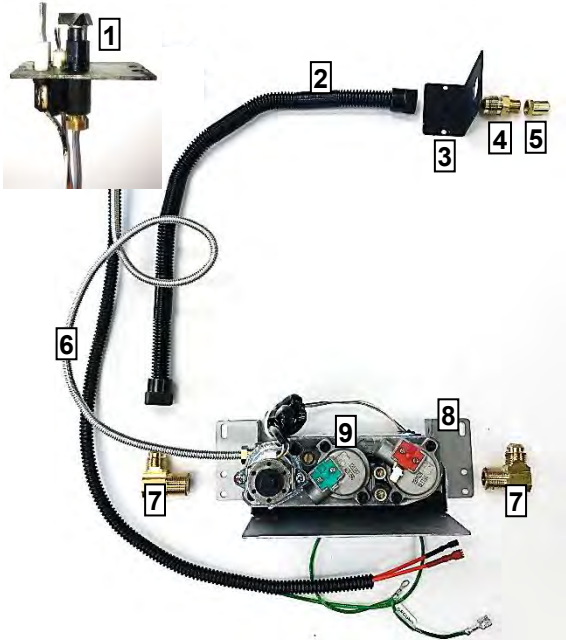
Part	Description
1.	24OB-PHPD6 Valve Knob - Black
2.	24OB-PBS190 Manual Valve
3.	27FP-P336C 3/8" Tube OD x 3/8" Male Pipe
4.	27FP-P101C Forged Tee 3/8" FPT
5.	1000-P202VE Bushing 3/8" NPT x 1/8" FPT
6.	30FPB-P118A Brass Manometer Plug, 1/8" NPT
7.	42MCV-P16FF 3/8" Stainless Steel Flex Connector -16" Long
8.	24OB-PHP1003 Thermocouple
9.	4000-P963VE 3/8 Tube OD x 3/8" Male Pipe
10.	24OFS-P120 LP Reg & 10ft Hose
11.	24OB-102 Orifice Retainer Bracket
12.	24OB-P152 Push Button Igniter (AAA Battery not included)
13.	24OB-107A Electrode Wire Assembly (c/w Mount Plate)
14.	
15.	24OB-121A Tank Retainer
16.	27FP-P904FF 3/8" Tube OD x 1/8" MPT

OB24MVN / OB36MVN / OB48MVN



Part	Description
1.	24OB-P503A Pilot Assembly (c/w Mount Plate) (1001-P714SI – SIT Pilot- no longer used)
2.	42MCV-P16FF 3/8" Stainless Steel Flex Connector -16" Long
3.	24OB-102 Orifice Retainer Bracket
4.	27FP-P904FF 3/8" Tube OD x 1/8" MPT
5.	1000-255 Brass Orifice, NG or LP (Specify size). Refer to Chart in Manual
6.	26IDV-P324A Pilot Tube with Fittings
7.	24OB-109 Valve Bracket
8.	1001-P640SI Millivolt Valve NG –Hi/Lo
9.	1000-214 Piezo Igniter
10.	36HB-115 Piezo Bracket
11.	1001-P112C 3/8" Close Nipple- Brass (2 Required)
12.	1001-P506C 90° Elbow- 3/8" Tube O.D. x 3/8" Female Pipe (2 Required)

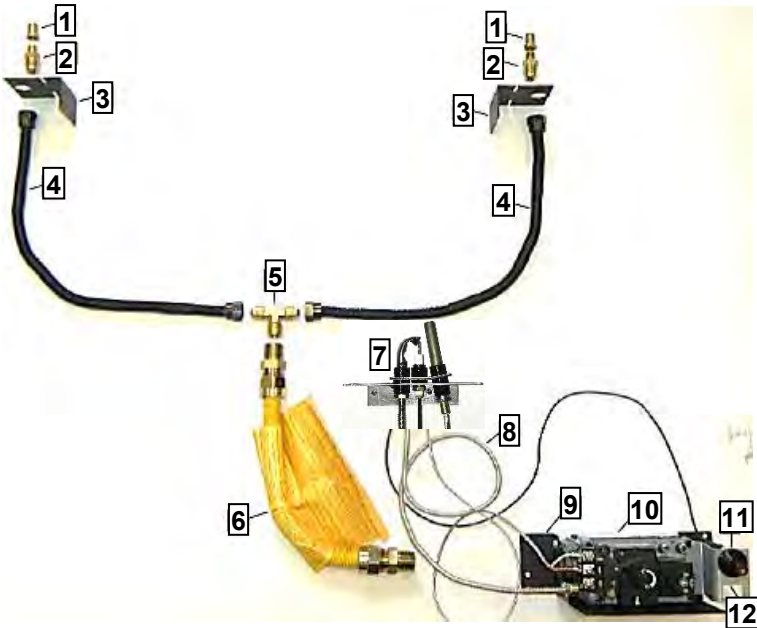
OB24IPN / OB36IPN / OB48IPN



Part	Description
1.	1002-P0345PSE Pilot Assembly (c/w Mount Plate) (1000-P166SI – SIT Pilot- no longer used)
2.	42MCV-P16FF 3/8" Stainless Steel Flex Connector -16" Long
3.	24OB-102 Orifice Retainer Bracket
4.	27FP-P904FF 3/8" Tube OD x 1/8" MPT
5.	1000-255 Brass Orifice, NG or LP (Specify size). Refer to Chart in Manual
6.	26IDV-P324A Pilot Tube with Fittings
7.	3632HB-P496C (x2) Brass Elbow, 3/8" Tube to 3/8" NPT
8.	24OB-109 Valve Bracket
9.	1005-P001SI IPI Valve NG

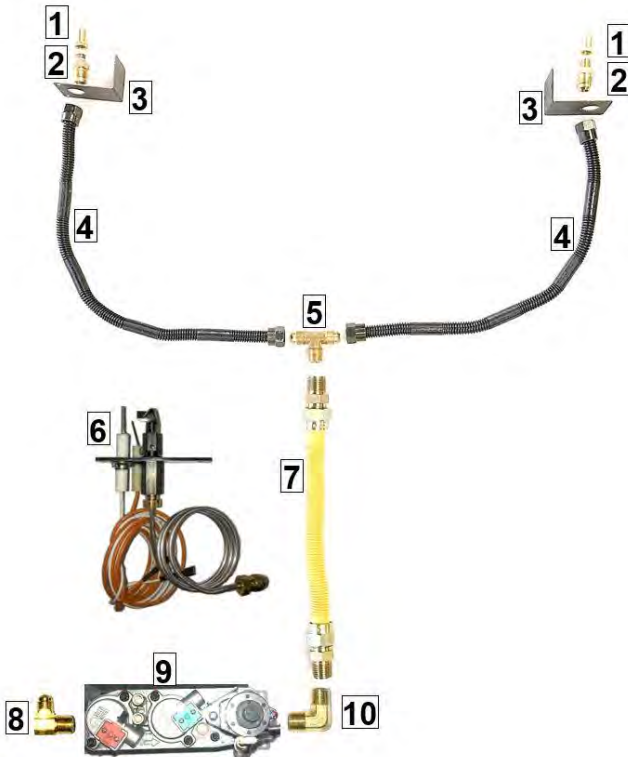
Outdoor Burners –Plumbing Parts- OB72 / 96

OB72MVN / OB96MVN



Part	Description
1.	1000-255 Brass Orifice, NG or LP (Specify size). Refer to Chart in Manual
2.	27FP-P904FF 3/8" Tube OD x 1/8"MPT
3.	24OB-102 Orifice Retainer Bracket
4.	42MCV-P16FF 3/8" Stainless Steel Flex Connector -16" Long
5.	24L-P456C Brass Tee, 3/8" Tube OD x 3/8" MPT
6.	24L-P1212 1/2" Yellow Flex (c/w Connectors) – 12" Long
7.	24OB-P503A Pilot Assembly (c/w Mount Plate) (1001-P714SI – SIT Pilot- no longer used)
8.	26IDV-P324 Pilot Tube with Fittings
9.	24OB-109 Valve Bracket
10.	1001-P658SI Millivolt Valve NG, 1/2" Hi Output
11.	1000-214 Piezo Igniter
12.	36HB-115 Piezo Bracket

OB72IPN



Part	Description
1.	1000-255 Brass Orifice, NG or LP (Specify size). Refer to Chart in Manual
2.	27FP-P904FF 3/8" Tube OD x 1/8"MPT
3.	24OB-102 Orifice Retainer Bracket
4.	42MCV-P16FF 3/8" Stainless Steel Flex Connector -16" Long
5.	24L-P456C Brass Tee, 3/8" Tube OD x 3/8" MPT
6.	1002-P0345PSE Pilot Assembly (c/w Mount Plate) (1000-P166SI – SIT Pilot- no longer used)
7.	24L-P1212 1/2" Yellow Flex – 12" Long
8.	3632HB-P496C Brass Elbow, 3/8" Tube to 3/8" NPT
9.	1005-P001SI IPI Valve NG
10.	24OB-P99C 3/8" NPT 90° Elbow

Barbara Jean Series- Parts List

Listed for Canada and USA

NUMBER DESCRIPTION

Burners c/w Valve

OB24MAPT*	Linear Burner 24" - Manual Valve Propane* - 39,900 BTU (c/w #32 Orifice for NG)
OB24MVN**	Linear Burner 24" - Millivolt Valve Natural Gas - 40,000 BTU
OB24IPN**	Linear Burner 24" - IPI Valve Natural Gas, LED Lights, Remote Control, 40,000 BTU
OB36MAPT*	Linear Burner 36" - Manual Valve Propane* - 60,750 BTU (c/w #15 Orifice for NG)
OB36MVN**	Linear Burner 36" - Millivolt Valve Natural Gas - 60,000 BTU
OB36IPN**	Linear Burner 36" - IPI Valve Natural Gas, LED Lights, Remote Control - 60,000 BTU
OB48MAPT*	Linear Burner 48" - Manual Valve Propane* - 60,880 BTU (c/w #15 Orifice for NG)
OB48MVN**	Linear Burner 48" - Millivolt Valve Natural Gas - 80,000 BTU
OB48IPN**	Linear Burner 48" - IPI Valve Natural Gas, LED Lights, Remote Control - 80,000 BTU
OB72MVN**	Linear Burner 72" - Millivolt Valve Natural Gas - 120,000 BTU
OB72IPN**	Linear Burner 72" - IPI Valve Natural Gas, LED Lights, Remote Control - 120,000 BTU
OB96MVN**	Linear Burner 96" - Millivolt Valve Natural Gas - 156,000 BTU
OB96IPN**	Linear Burner 96" - IPI Valve Natural Gas, LED Lights, Remote Control - 156,000 BTU

*LP Manual (MAPT) valve systems are shipped with an accompanying orifice for NG conversion.

**Millivolt and IPI valve systems are shipped as NG systems (MVN & IPN) and require a Conversion Kit for LP conversion.

Conversion Kits

24OB-CKLP	LP Conversion Kit for OB24-MVN c/w #49 Burner Orifice, Pilot Orifice, Regulator
24OB-CKLP2	LP Conversion Kit for OB24-IPN c/w #49 Burner Orifice, Pilot Orifice, Regulator
36OB-CKLP	LP Conversion Kit for OB36-MVN c/w #43 Burner Orifice, Pilot Orifice, Regulator
36OB-CKLP2	LP Conversion Kit for OB36-IPN c/w #43 Burner Orifice, Pilot Orifice, Regulator

48OB-CKLP LP Conversion Kit for OB48-MVN c/w #37 Burner Orifice, Pilot Orifice, Regulator

48OB-CKLP2 LP Conversion Kit for OB48-IPN c/w #37 Burner Orifice, Pilot Orifice, Regulator

72OB-CKLP LP Conversion Kit for OB72-MVN c/w (Qty 2) #43 Burner Orifices, Pilot Orifice, Regulator

72OB-CKLP2 LP Conversion Kit for OB72-IPN c/w (Qty 2) #43 Burner Orifices, Regulator

96OB-CKLP LP Conversion Kit for OB96-MVN c/w (Qty 2) #37 Burner Orifices, Pilot Orifice, Regulator

Glass Media

5 lbs. per Foot of Burner (i.e.: 24" burner = 10lbs)

MQG5ZG	Glass Media - ZIRCON Glacier Ice - 5 lbs
MQG5A	Glass Media - 1/2" Cobalt Blue - 5 lbs
MQG5B	Glass Media - 1/2" Black - 5 lbs
MQG5C	Glass Media - 1/2" Bronze - 5 lbs
MQG5W	Glass Media - 1/2" White - 5lbs

Rocks And Logs

MQRBD3	Drift Wood - Log Set - 5 pcs.
MQRBD4	Drift Wood - Log Set 3 pcs.
MQROCK2	Rock Set - Contemporary Collection - Natural
MQROCK3	Rock Set - Contemporary Collection - Multi-Colored
MQSTONE	Decorative Stones - 80 pc. Set
MQSTONE10	Decorative Stones - 10 pc. Set
RBCB1	Cannonballs - Assorted size and colors x 14

Optional Accessories

OFP42SA	Spark Assist - (AA Battery not included)
GFRC	Remote Control Millivolt - On/Off
OBUEM2	Universal Valve Bracket Mount (for Custom Applications)

Burner Replacement Parts

24OB-100A	Replacement Burner - No Valve
36OB-100A	Replacement Burner - No Valve
48OB-100A	Replacement Burner - No Valve
24OB-FSK	Filler Strip Kit (3 Pcs.)
36OB-FSK	Filler Strip Kit (3 Pcs.)
48OB-FSK	Filler Strip Kit (3 Pcs.)

72OB-FSK	Filler Strip Kit (6 Pcs.)
96OB-FSK	Filler Strip Kit (6 Pcs.)
24OB-258	Pilot Shield

27FP-900FF	LP Regulator & 5ft Hose (I4T60GRQC)
24OFS-P120	LP Regulator & 10ft Hose (I6C120FS6GRQC)

Wind Guards -4 Sided-

A Wind Guard is **Required** for Outdoor Fire Tables, and recommended for Outdoor Burners.

OB24WG	Wind Guard for 24" Burners- c/w Tempered Glass [4pcs], Corner Brackets [8pcs], and Rubber Feet [4pcs]
OB36WG	Wind Guard for 36" Burners- c/w Tempered Glass [4pcs], Corner Brackets [8pcs], and Rubber Feet [4pcs]
OB48WG	Wind Guard for 48" Burners- c/w Tempered Glass [4pcs], Corner Brackets [8pcs], and Rubber Feet [4pcs]
OB72WG	Wind Guard for 72" Burners- c/w Tempered Glass [4pcs], Corner Brackets [8pcs], and Rubber Feet [4pcs]
OB96WG	Wind Guard for 96" Burners- c/w Tempered Glass [4pcs], Corner Brackets [8pcs], and Rubber Feet [4pcs]

Optional Burner Lids

24LT-LID	Burner Lid for 24" - Black
36LT-LID	Burner Lid for 36" - Black
48LT-LID	Burner Lid for 48" - Black

Replacement Glass and Brackets

24G-101	Glass Panel- 5-1/2"H x 9-5/8"W
24G-102	Glass Panel- 5-1/2"H x 28-3/16"W
36G-101	Glass Panel- 5-1/2"H x 40-3/16"W
48G-101	Glass Panel- 5-1/2"H x 52-3/16"W
72G-101	Glass Panel- 5-1/2"H x 76-3/16"W
96G-101	Glass Panel- 5-1/2"H x 100-3/16"W
24G-P202	Glass Corner Bracket- c/w neoprene glass mount screws
24FPG-203	Connector Brackets
24G-P205	Bottom Button- Rubber base for Glass Corner Bracket (24G-P202)
24G-P205-1	Spacer (1 required for each corner and bottom Connector Brackets when Bottom Supports 72G-P202 are used)
72G-P202	Glass Mount Bracket- c/w neoprene glass mount screws. For OFP series fireplaces.

Miscellaneous Items

24OB-PBS190	Gas Valve - manual
24OB-PHPD6	Valve Knob - Black
24OB-PHP1003	Thermocouple
24OB-P152	Push Button Igniter (AAA Battery Not Included)
24OB-107A	Electrode Wire Assembly (c/w Mount Plate)

LIMITED WARRANTY



Save this certificate. It gives you specific legal rights, and you may also have other rights which may vary from one province or state to another.

In the event your unit needs servicing contact your dealer or contractor who installed or services your unit. When requesting service, please have the model and serial number from each unit readily available. If your dealer needs assistance, the distributor is available for support and we, in turn support the distributor's efforts.

Fill in the installation date and model and serial numbers of the unit in the space provided below and retain this limited warranty for your files.

GENERAL TERMS

This limited warranty applies only while the unit remains at the site of the original installation and only if the unit is installed inside the continental United States, Alaska, Hawaii and Canada. The warranty applies only if the unit is installed and operated in accordance with the printed instructions and in compliance with applicable installation, building codes and good trade practices.

The burner is warranted against defects for five years. All other components such as gas valves, thermocouples, igniters, lights and media are warranted against defects for one year.

This limited warranty further does not cover any scratches, dents, painted finishes, corrosion or discoloring by heat, abrasive and chemical cleaners, nor chipping on porcelain powder coated parts.

During the first year after installation, we will provide a replacement for any component part of your unit found to be defective in materials or workmanship. The part to be replaced must be returned to our distributor in exchange for the replacement part.

In lieu of providing a replacement part, we may, at our option, provide the distributor's component purchase price from us or a credit equal to the distributor's component purchase price from us toward the purchase of any new unit which we distribute. If a credit is given in lieu of a replacement part, the rating plate from the unit being replaced must be submitted on a warranty claim and the unit being replaced must be made available to our distributor for disposition.

In establishing the date of installation for any purpose including determination of the starting date for the term of this limited warranty, reasonable proof of the original installation date must be presented*, otherwise the effective date will be based upon the date of manufacture plus thirty (30) days.

Any labor, material, freight and/or handling charges associated with any repair or replacement pursuant to this limited warranty will be your responsibility. In this warranty the word "installation" means original installation.

We will not be responsible for and you the user will pay for: (a) damages caused by accident, abuse, negligence, misuse, riot, fire, flood, or Acts of God (b) damages caused by operating the unit where there is a corrosive atmosphere containing chlorine, fluorine, or any other damaging chemicals (other than in a normal residential environment) (c) damages caused by any unauthorized alteration or repair of the unit affecting its stability or performance (d) damages caused by improper matching or application of the unit or the unit's components (e) damages caused by failing to provide proper maintenance and service to the unit (f) any expenses incurred for erecting disconnecting or dismantling the unit (g) parts or supplies used in connection with service or maintenance (h) damage repairs, inoperation or inefficiency resulting from faulty installation or application (i) electricity or fuel costs or any increase in electricity or fuel cost whatsoever including additional or unusual use of supplemental electric heat.

We shall not be liable for any incidental, consequential, or special damages or expenses in connection with any use or failure of this unit. We have not made and do not make any representation or warranty of fitness for a particular use or purpose and there is no implied condition of fitness for a particular use or purpose. We make no express warranties except as stated in this limited warranty. No one is authorized to change this limited warranty or to create for us any other obligation or liability in connections with this unit. Any implied warranties shall last for one year after the original installation. Some states and provinces do not allow the exclusion or limitation of incidental or consequential damages or do not allow limitations on how long an implied Warranty or condition lasts so the above limitations or exclusions may not apply to you. The provisions of this limited warranty are in additions to and not a modification of or subtraction from any statutory warranties and other rights and remedies provided by law.

Model No.: _____ Serial No.: _____

Date Installed: _____

*You must retain the original records that can establish the installation date of your unit.