



IDV24/34/44

DIRECT VENT GAS FIREPLACE INSERTS



THE ULTIMATE IN DESIGN, ENGINEERING & QUALITY

Model IDV44N Direct Vent Fireplace Insert (Natural Gas), I44CV1BL Clean View Kit (Black), I44S4432BL Surround (Black), LOGF36 Log Set (Fiber Split Oak), IDV36RLT Refractory Brick Liner.



IDV24/34/44

DIRECT VENT GAS FIREPLACE INSERTS

Convert your wood burning fireplace to gas, for a new standard of warmth, beauty, safety and convenience.



STANDARD FEATURES

- Dual Burner with glowing embers and decorative ash bed
- Millivolt or IPI valve system allows operation during power failure with adjustable flame control
- Heat radiating ceramic glass
- On/Off Rocker switch
- Heat activated blower with variable speed control
- Mobile home, bedroom and sitting room approval
- Proflame II Models include Remote Control – features flame, fan, thermostat, and smart thermostat (WiFi Compatibility*): IDV24NE2, IDV24LPE2, IDV34NE2, IDV34LPE2, IDV44NE2, IDV44LPE2 Models only
- IDV24 Proflame II Models include halogen lights: IDV24NE2/LPE2
- Safety Screen Barrier

*Smartphone (local WiFi only)

OPTIONAL FEATURES

Clean View Kit – Black
With Safety Screen Barrier

Surrounds for Clean View – Black
Picture Frame or Universal

Porcelain Reflective Liner
IDV34 and IDV44 only

Brick Liner
Traditional and Herringbone (IDV44 only)

Log Set
Fiber Split Oak

Glass Tray
RSP10 (with Bronze Ember Glass) – IDV34/44 only

Cannonballs
RSP10 (with Bronze Ember Glass)

Wall Mount Thermostat
Standard On/Off or Programmable

Remote Control – Millivolt or IPI PF1:
Thermostat on/off, Thermostat on/off modulating, Thermostat on/off modulating and fan control



PF2



PF1 or MV



THE ULTIMATE IN DESIGN, ENGINEERING & QUALITY

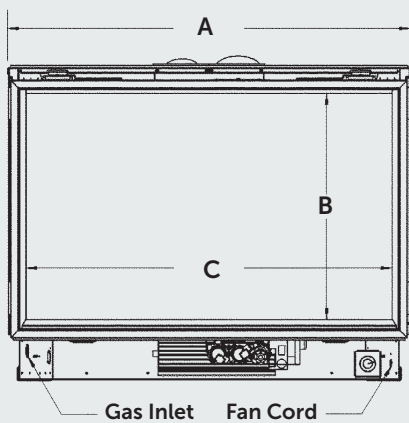
Model IDV24NE2 Direct Vent Fireplace Insert (Natural Gas), Z5GC Glass Media Bronze (x2), RBCB1 Cannonballs, I24CV1BL Clean View – Black, I24S3827 Surround.

MODEL	IDV24N / IDV24NE IDV24NE2	IDV24LP / IDV24LPE IDV24LPE2	IDV34N / IDV34NE IDV34NE2	IDV34LP / IDV34LPE IDV34LPE2	IDV44N / IDV44NE IDV44NE2	IDV44LP / IDV44LPE IDV44LPE2
Fuel	NATURAL	PROPANE	NATURAL	PROPANE	NATURAL	PROPANE
Input Max.	24,000 BTU	24,000 BTU	31,000 BTU	28,500 BTU	34,250 BTU	30,000 BTU
Input Min.	16,750 BTU	20,000 BTU	20,900 BTU	23,100 BTU	24,000 BTU	22,840 BTU
Viewing Area	20 ¹³ / ₁₆ " W x 11"H	20 ¹³ / ₁₆ " W x 11"H	25 ⁵ / ₈ " W x 14 ¹ / ₈ " H	25 ⁵ / ₈ " W x 14 ¹ / ₈ " H	29 ⁷ / ₈ " W x 18 ³ / ₈ " H	29 ⁷ / ₈ " W x 18 ³ / ₈ " H
FE (P.4.1-15)	53.53% / 55.58%	57.51% / 59.24%	62.86% / 64.73%	63.63% / 65.63%	60.18% / 61.70%	60.18% / 61.85%
Flue Sizes	3" / 3" or 2" / 3"*	3" / 3" or 2" / 3"*	3" / 3"	3" / 3"	4" / 3"	4" / 3"

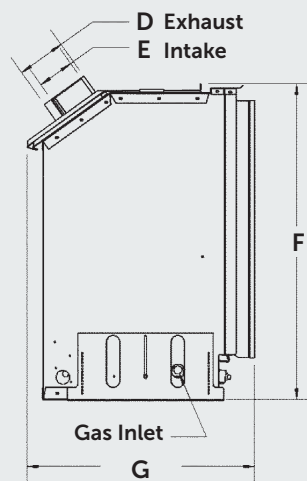
*2/3" maximum vertical venting is 25FT

IDV24/34/44 DIMENSIONS

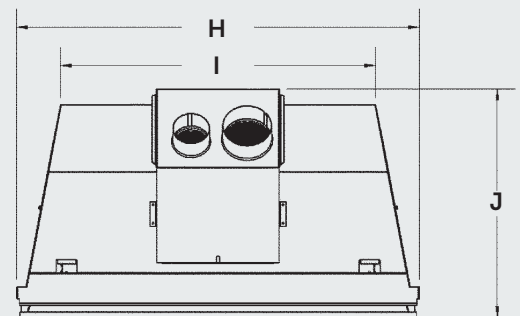
FRONT VIEW



SIDE VIEW



TOP VIEW



	IDV24	IDV34	IDV44
A	24"	28 ⁵ / ₈ "	32 ⁷ / ₈ "
B	11"	14 ¹ / ₈ "	18 ³ / ₈ "
C	20 ¹³ / ₁₆ "	25 ⁵ / ₈ "	29 ⁷ / ₈ "
D	3"	3"	4"
E	3"	3"	3"
F	18 ¹ / ₂ "	21 ³ / ₈ "	25 ³ / ₄ "
G	15"	18 ¹ / ₄ "	18 ⁹ / ₁₆ "
H	24 ⁷ / ₁₆ "	28 ⁹ / ₁₆ "	32 ⁷ / ₈ "
I	19 ¹ / ₄ "	21 ¹ / ₄ "	25 ³ / ₄ "
J	15"	18 ¹ / ₄ "	18 ⁹ / ₁₆ "

IDV24/34/44

DIRECT VENT GAS FIREPLACE INSERTS

IDV44

CLEAN VIEW KIT AND SURROUNDS

Minimum Fireplace Opening (in.) Width Height Depth

I44CV1	32 7/8"	25 3/4"	18"
--------	---------	---------	-----

Clean View Kits Width Height Depth

I44CV1BL (Clean View)	39 9/16"	28 1/2"	13 1/16"
-----------------------	----------	---------	----------

Surround Kits Width Height

I44S4432BL (Surround)	44"	32 1/16"
-----------------------	-----	----------

I44SPF4436BL (Surround - Picture Frame)	44"	36"
---	-----	-----

I44SU4742BL (Universal - Picture Frame*)	47"	42"
--	-----	-----

I44SU4742BL (Three Sides*)	47"	36"
----------------------------	-----	-----

*Trim to Size

VENTING

IDVVT43 Vertical Vent Termination

I43FK25 Flex Pipe Kit

I43LCP Block Off Plate – for Lower Chase

ZDV3FC Flex Connector 3" Diameter

ZDV4FC Flex Connector 4" Diameter

*MG Duravent (Order Kit #46DVA-CL34)



Model IDV34N Direct Vent Insert (Natural Gas), I34CV1BL Clean View Kit (Black), I34S3927BL Surround (Black), RSP10 Glass Support Platform with Bronze Ember Glass, IDV33PRL Porcelain Reflective Liner.



Model IDV34LP Direct Vent Fireplace Insert (Propane), I34CV1BL Clean View with I34SPF4131BL Picture Frame Surround (Black), LOGF35 Split Fiber Oak Log Set, IDV33RL Brick Liner.



IDV44NE2 Direct Vent Fireplace Insert (Natural Gas), LOGF36 Log Set (Fiber Split Oak), IDV36RLH Refractory Brick Liner (Herringbone).



IDV24/34/44

DIRECT VENT GAS FIREPLACE INSERTS



Model IDV24NE2 Direct Vent (natural gas)
Insert, LOGF24OAK Oak Log Set, IDV24RLT
Traditional Brick Liner, I24CV1BL Clean View.



THE ULTIMATE IN DESIGN, ENGINEERING & QUALITY

IDV24/34/44

DIRECT VENT GAS FIREPLACE INSERTS

ACCESSORIES

IDV24/34/44



LOGF24OAK – Fiber Split Oak Log Set



Traditional Brick Liner (IDV34/44)



Traditional Brick Liner (IDV24)



LOGF35 – Fiber Split Oak Log Set



Herringbone Brick Liner (IDV44)



Bronze Ember Glass
(IDV34/44 Requires RSP10 Support Platform)



LOGF36 – Fiber Split Oak Log Set



RBCB1 – Cannonballs

Model IDV34LP
Direct Vent Fireplace
Insert (Propane),
LOGF35 Split Fiber
Oak Log Set,
I34CV6BL Clean
View with Backer
Surround (Black),
IDV33RL Brick Liner.





Find all detailed IDV24/34/44 manuals.

2340 Logan Avenue
Winnipeg, Manitoba, Canada R2R 2V3
Phone: (204) 632-1962 Fax: (204) 632-1960
www.kingsmanfireplaces.com

IDV24/34/44

DIRECT VENT GAS FIREPLACE INSERTS



FOR CALIFORNIA RESIDENTS ONLY:

WARNING! This product can expose you to chemicals including Carbon Monoxide, that is an externally vented by-product of fuel consumption, which is [are] known to the State of California to cause birth defects or other reproductive harm. For more information, visit www.P65Warnings.ca.gov.



Model IDV34LP Direct Vent Fireplace (Propane), LOGF35 Split Fiber Oak Log Set, I34CV1BL Clean View (Black), IDV33RL Refractory Brick Liner.



*Components may have to be ordered separately to create a complete unit. Discuss with your local Kingsman dealer for clarification. Kingsman Fireplaces maintains a program of continuous testing, refinement and improvements of all its products. Some aspect of units shown here may be changed at any time without notice or obligation. Certification: The models IDV34 and IDV44 are certified for Canada/USA as a Vented Gas Fireplace Heater. ANSI Z21.88-2017 • CSA 2.33-2017.

Canada

ENERGUIDE

Look for the **EnerGuide** Gas Fireplace Energy Efficiency Rating in this brochure

Based on CSA P.4.1-15



CRAFTED ENTIRELY IN CANADA, EACH KINGSMAN FIREPLACE IS BUILT TO THE HIGHEST STANDARDS AND MADE TO LAST.

Printed in Canada
08/2023 – B103