



# OFP42

ZERO CLEARANCE OUTDOOR GAS FIREPLACE



THE ULTIMATE IN DESIGN, ENGINEERING & QUALITY

OFP42NS Natural Gas Outdoor Fireplace (Stainless Steel), LOGF36 Log Set (Split Oak), OFP42RLH Brick Liner (Herringbone).



Two fireplace choices  
and no venting required.

2340 Logan Avenue  
Winnipeg, Manitoba, Canada R2R 2V3  
Phone: (204) 632-1962 Fax: (204) 632-1960  
[www.kingsmanfireplaces.com](http://www.kingsmanfireplaces.com)

<b>Model</b>	OFP42N/NE OFP42NS/NSE	OFP42LP/LPE OFP42LPS/LPSE
<b>Fuel</b>	Natural	Propane
<b>Input Max.</b>	55,000 BTU	55,000 BTU
<b>Input Min.</b>	38,000 BTU	44,000 BTU

- Satin Coat with a Black Paint Finish and stainless steel pull screen. A great alternative when covering the front face with brick or other non combustible materials. (Satin coat steel is pretreated with a zinc coating for corrosion resistance and paint adhesion.)
- Stainless steel firebox, front and pull screens. Stainless steel provides a clean, contemporary and weather-resistant finish so that you can enjoy your fireplace for years to come.

### STANDARD FEATURES\*

- Millivolt or IPI PF1 valve with variable adjustment of flame and BTU
- A flame sensor that constantly monitors the pilot flame and provides 100% gas shut off if pilot is not sensed
- Stainless steel pull screen
- Lava Rock

### OPTIONAL FEATURES

#### Surround

Stainless Steel

#### Log Set

LOGF36 Split Oak

#### Weather Cover

Stainless Steel or Black

#### Spark Assist

Battery Operated Pilot Burner Ignitor (millivolt only)

#### Refractory Liner

Traditional or Herringbone

### SCREENED PORCH INSTALLATION GUIDELINES

- Porch Area – 96 sq. ft
- Ceiling Height – 92"
- A minimum of two walls can be screened but must be open to outside ventilation
- Minimum Screen Height – 78"
- Screen Area – 64 sq. ft

Refer to installation manual for additional details of framing specifications and clearances.

### STYLING



RLT Brick Liner  
Traditional

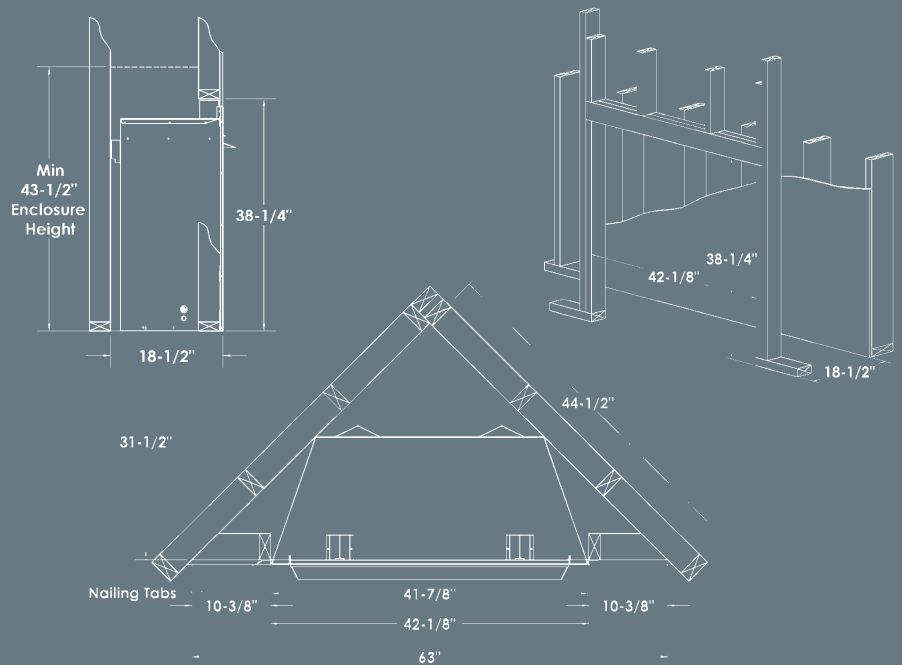


RLH Brick Liner  
Herringbone



LOGF36 Split Oak

### UNIT AND FRAMING SPECIFICATIONS (IN.)



Model OFP42N Outdoor  
Fireplace (Natural Gas), LOGF36  
Log Set (Split Oak), OFP42RLT  
Brick Liner (Traditional).

**⚠ FOR CALIFORNIA RESIDENTS ONLY:**  
**WARNING!** This product can expose you to chemicals including Carbon Monoxide, that is an externally vented by-product of fuel consumption, which is [are] known to the State of California to cause birth defects or other reproductive harm. For more information, visit [www.P65Warnings.ca.gov](http://www.P65Warnings.ca.gov).

\*Components may have to be ordered separately to create a complete unit. Discuss with your local Kingsman dealer for clarification.  
Kingsman Fireplaces maintains a program of continuous testing, refinement and improvements of all its products. Some aspect of units shown here may be changed at any time without notice or obligation. Certification: ANSI Z21.88-2017 • CSA 2.33-2017, CSA 2.17-2017 Vented Gas Fireplace Heater.



CRAFTED ENTIRELY IN CANADA, EACH KINGSMAN FIREPLACE  
IS BUILT TO THE HIGHEST STANDARDS AND MADE TO LAST.

Printed in Canada  
10/2024 – B065



Look for the **EnerGuide**  
Gas Fireplace Energy  
Efficiency Rating in this brochure

Based on CSA P.4.1-15